



MK 017-22Y-M20

- 3 Cable entry M 20 x 1.5
- Metal enclosure
- 4 Contacts
- 67 mm x 130 mm x 43 mm (basic component)
- Actuator heads can be repositioned by 4 x 90°

Data

Ordering data

Product type description	MK 017-22Y-M20
Article number (order number)	101164045
EAN (European Article Number)	4030661204345
eCl@ss number, version 12.0	27-27-06-01
eCl@ss number, version 11.0	27-27-06-01
eCl@ss number, version 9.0	27-27-06-01
ETIM number, version 7.0	EC000030
ETIM number, version 6.0	EC000030

Approvals - Standards

Certificates	CCC
--------------	-----

General data

Standards	EN IEC 60947-5-1
Working principle	mechanical
Slide form	Castor
Housing material	Light-alloy diecast, paint finish

Housing coating material	painted
Gross weight	390 g

General data - Features

Number of normally closed (NC)	2
Number of normally open (NO)	2

Mechanical data

Actuating element	Offset roller lever
Roller material	Plastic
Mechanical life, minimum	5,000,000 Operations
Actuating angle, from left of switch axis	45 °
Actuating angle, from right of switch axis	30 °
Actuating force	12 N
Contact opening	2 x 1.2 mm
Actuating speed, minimum	1 mm/min
Actuating speed, maximum	0.5 m/s
Note (Actuating speed)	Actuating speed with vertical actuating angle to switch axis

Mechanical data - Connection technique

Termination	Screw terminals M20 x 1.5
Cable section, minimum	1.5 mm ²
Cable section, maximum	2.5 mm ²
Note (Cable section)	All indications including the conductor ferrules.
Wire cross-section	13 AWG

Mechanical data - Dimensions

Length of sensor	43 mm
Width of sensor	67 mm

Height of sensor	168 mm
Width of Castor	8.5 mm
Diameter of Castor	20 mm

Ambient conditions

Degree of protection	IP65
Ambient temperature	-30 ... +90 °C

Ambient conditions - Insulation values

Rated insulation voltage U_i	500 V
--------------------------------	-------

Electrical data

Thermal test current	10 A
Utilisation category AC-15	400 VAC
Utilisation category AC-15	2.5 A
Switching element	NO contact, NC contact
Note (Switching element)	galvanically separated contact bridges
Switching principle	Snap action
Bounce duration, maximum	2.5 ms
Switchover time, maximum	40 ms
Material of the contacts, electrical	Silver

Note

Note (General)	Actuation from the right should be avoided, since this reduces the mechanical life of the position switch.
----------------	--

Ordering code

Product type description:
(1)(2) 017-(3)Y-(4)

(1)	
T	Slow action (not for AF/S)
M	Snap action
(2)	
S	Plunger S
2S	Telescopic plunger 2S
K	Offset roller lever K
2K	Tilt lever 2K
3K	Angle roller lever 3K
8H	Roller lever 8H
7H	Roller lever 7H
10H	Rod lever 10H
H	Roller lever H
4H	Spring rod lever on shaft 4H
2H	Leaf spring lever 2H
3H	Roller lever 3H
9H	Rod lever 9H
6H	Leaf spring lever 6H
(3)	
22	2 NO contacts/2 NC contact
13	1 NO contacts/3 NC contact
31	3 NO contacts/1 NC contact
(4)	
UE	Slow action with overlapping contacts
H	Slow action with staggered contacts
C	Magnetic blow-out

Pictures

Product picture (catalogue individual photo)

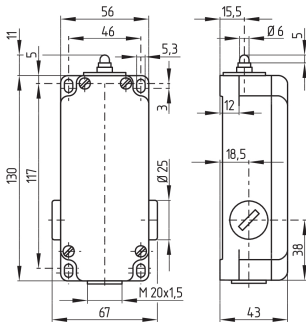


ID: kts17f03

| 849.3 kB | .jpg | 352.778 x 726.017 mm - 1000 x 2058 px - 72 dpi

| 71.7 kB | .png | 74.083 x 152.4 mm - 210 x 432 px - 72 dpi

Dimensional drawing basic component



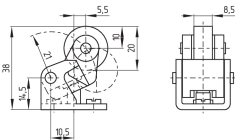
ID: 1t017g01

| 30.5 kB | .cdr |

| 9.1 kB | .png | 74.083 x 51.153 mm - 210 x 145 px - 72 dpi

| 187.6 kB | .jpg | 352.778 x 365.831 mm - 1000 x 1037 px - 72 dpi

Dimensional drawing actuator

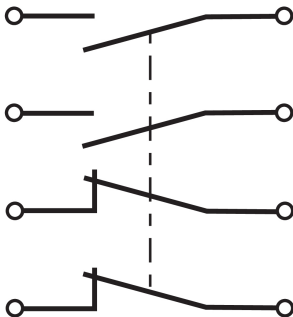


ID: 1t15kb01

| 4.2 kB | .png | 74.083 x 52.211 mm - 210 x 148 px - 72 dpi

| 88.2 kB | .jpg | 352.778 x 248.003 mm - 1000 x 703 px - 72 dpi

Diagram



ID: k2o2sk04

| 19.1 kB | .cdr |

| 81.1 kB | .jpg | 352.778 x 379.236 mm - 1000 x 1075 px - 72 dpi

| 3.0 kB | .png | 73.731 x 79.375 mm - 209 x 225 px - 72 dpi

Operating principle



ID: 235rz03

| 15.5 kB | .cdr |

| 131.9 kB | .jpg | 352.778 x 773.642 mm - 1000 x 2193 px - 72 dpi

| 2.7 kB | .png | 74.083 x 162.278 mm - 210 x 460 px - 72 dpi



K.A. Schmersal GmbH & Co. KG, Möddinghofe 30, 42279 Wuppertal

The details and data referred to have been carefully checked. Images may diverge from original. Further technical data can be found in the manual. Technical amendments and errors possible.

Generated on: 06/08/2023, 22:25