

# Catalogue No: **DTTAX16PN3**

## DIN-T TERMINAL 3 WAY NEUTRAL LINK SUIT RCCB

Power Distribution and Protection > Circuit Breakers > Miniature Circuit Breakers and Earth Leakage Protection (RCDs and RCBOs) > MOD6 Accessories > Terminal Pins > General accessories



Terminal 3 X 16mm neutral link to suit RCCB



Representative Photo Only  
(actual product may vary based on configuration selections)

### SPECIFICATIONS

Product Series	MOD6
Component Type Power Distribution & Protection	Connector

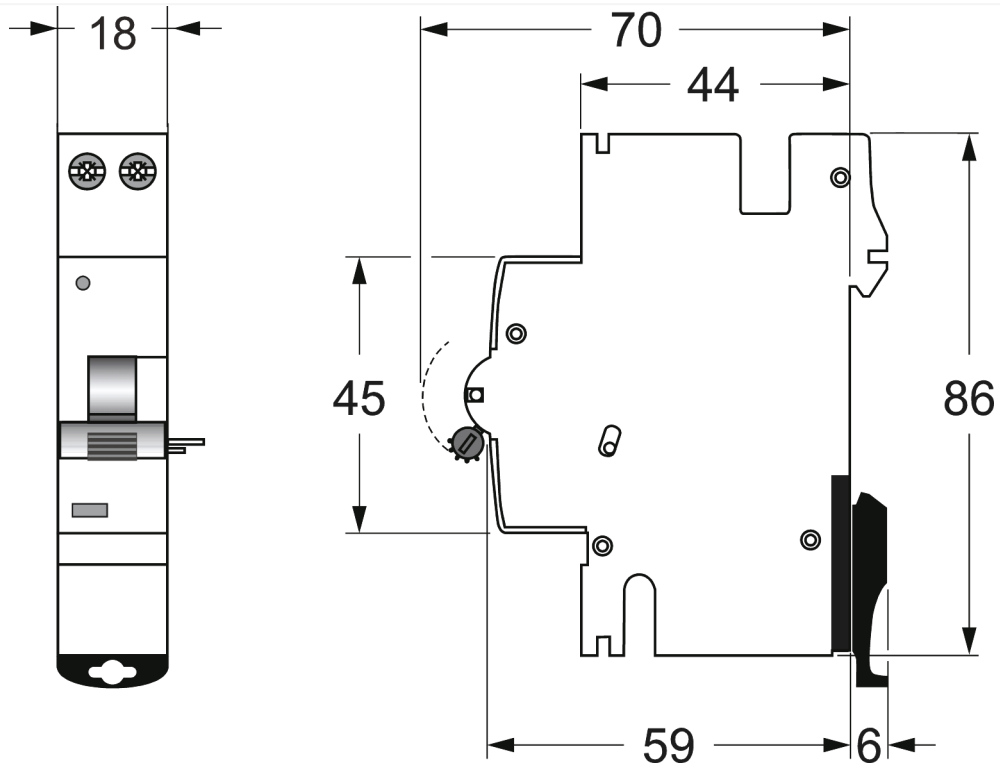
### REFERENCES

IECEX Certificate	-
Supplier Declaration of Conformity:	-
Installation Guide:	-
User Manual:	-
Manufacturer Datasheet:	-
Manufacturer Catalogue & Product Selection:	-

Catalogue No: **DTTAX16PN3**

**DIN-T TERMINAL 3 WAY NEUTRAL LINK SUIT RCCB**

Power Distribution and Protection > Circuit Breakers > Miniature Circuit Breakers and Earth Leakage Protection (RCDs and RCBOs) > MOD6 Accessories > Terminal Pins > General accessories



Dimension Diagram