

Data Sheet

Excel Life™

Switch Mechanism, Electronic Push Button, 5A

CAT NO. **EM883**



Cat No	EM883
Description	Excel Life Switch Mechanism, Electronic Push Button, 5A
Supply voltage	230 - 240V a.c. 500VA
Current rating	5A
Colour	White (WE), Urban Grey (UG)
Compliance	AS/NZS 3100

Excel Life™ Switch Mechanism, Electronic Push Button, 5A



CAT NO. **EM883**



- Soft touch electronic switch - 3 wire
- On-board programming allows LED indicator to be red or blue
- On-board programming allows you to choose if LED is off or dimmed when lighting is not activated
- Use with slave mechanism (EM800SLAVE) for 2 way switching
- 5A load capacity

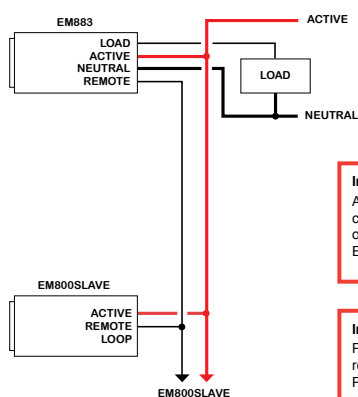
Note: Urban Grey colour option not pictured. Available late 2011.

Product specifications	
Cat No	EM883
Supply voltage	230-240V a.c. 500VA
Current rating	5A

Single product	
Cat No	Barcode
EM883WE	9321001400240
EM883UG	9321001411437

Inner box (QTY 10)		
Cat No	Barcode	Dimensions
EM883WE	9321001402688	124 x 160 x 80mm
EM883UG	9321001412090	124 x 160 x 80mm

Outer box (QTY 120)		
Cat No	Barcode	Dimensions
EM883WE	9321001405122	260 x 340 x 260mm
EM883UG	9321001412755	260 x 340 x 260mm



Important:
An unlimited number of EM800SLAVE can be connected to an EM883. However, the total length of the remote wire used to interconnect all of the EM800SLAVE should not exceed 50 metres.

Important:
Power factor correction capacitors must be either removed or placed on the line side of the Electronic Push Switch.

HPM Legrand - AUS
1300 369 777
www.legrand.com.au
ABN 31 000 102 661

HPM Legrand - NZ
0800 476 009
www.legrand.co.nz

Refer to your group buying office, HPM Legrand Sales Representative or HPM Legrand Sales Office for pricing.