

Pan

LED Panel Light



DAVISLIGHTING

Features

- Back-lit LED panel
- Extruded aluminium frame
- Opalised polystyrene diffuser
- Low ceiling penetration
- Remote non-dimming driver
- Innovative Plug & Play connector
- Switchable CCT: 4000K - 5000K - 6500K
- High-performance 50,000 hr LEDs
- Recessed T-bar or pendant mounting
- IPART / VEET approved (excluding FBL460WCT)
- 3-year warranty

Applications

- Showrooms
- Offices, boardrooms
- Hospitals
- Hotels, motels
- Retail outlets

Options

- Surface mount frame
- Plaster frame

Standards

- Manufactured under ISO 9001:2015 to standards
- IEC/AS/NZS 60598.1
- IEC/AS/NZS 60598.2.1
- IEC/AS/NZS 60598.2.2
- IEC/AS/NZS CISPR 15



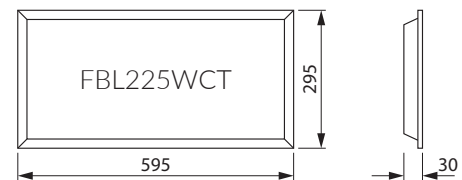
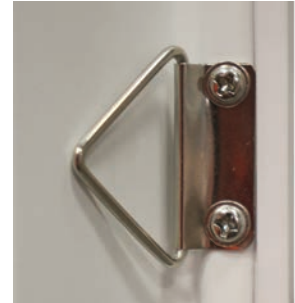
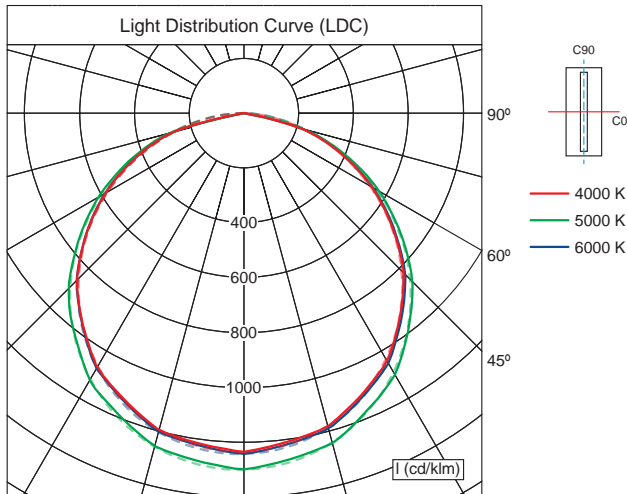


Specifications

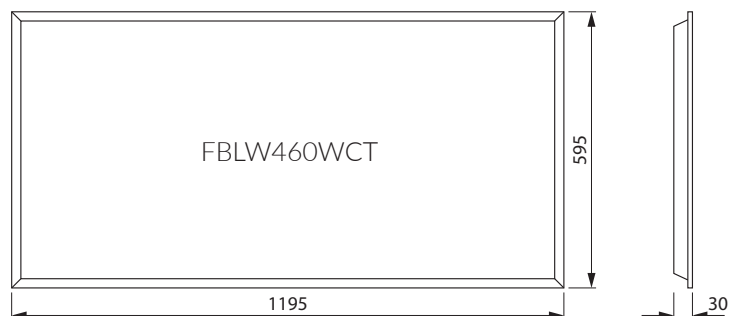
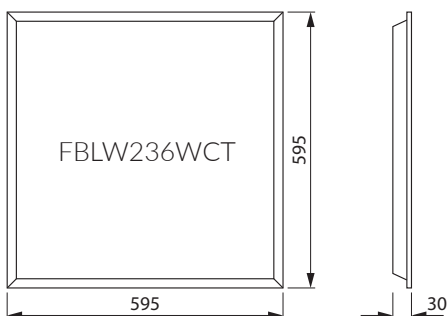
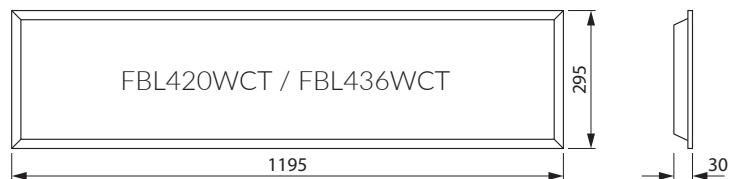
Model	FBL225WCT	FBLW236WCT	FBL425WCT	FBL436WCT	FBLW460WCT
Nominal Power (w)	25	36	25	36	60
Input Voltage	200 - 240 VAC 50 / 60 Hz				
Luminous Flux (lm)	2350	3600	2600	3700	5870
Efficacy (lm/W)	98	106	104	110	109
CRI	≥80				
Power Factor	>0.90				
Colour Temp. (K)	4000 - 5000 - 6500 (switchable)				
LED Life L70B50 (hr)	>50,000				
Ambient Temp. t_a (° C)	40				

Lighting Data

FBL436WCT



Dimensions



Characteristics and specifications may change without notice. All electrical installations / connections should be carried out by a suitably qualified person. Application images are indicative only and may not contain actual Davis product. The information contained in this publication is typical and must not be interpreted as a guarantee of individual product performance.