

TRIPROOF20/40W12-TRI-EM

QUICK FACTS

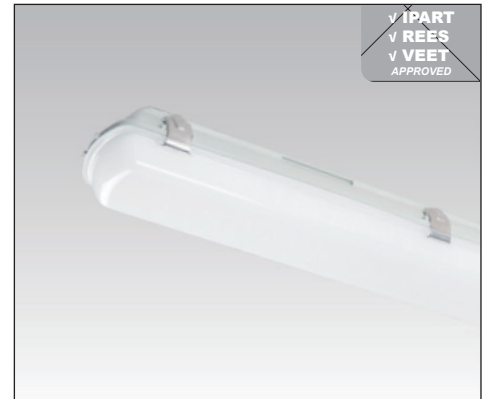
Input power	20W / 40W
Power Factor	≥0.9
IP Rating	54
IK Rating	08
Dimming	NO
CCT	4000K / 5000K / 6500K
Lumen output 20W	2227lm / 2254lm / 1965lm
40W	4085lm / 4411lm / 4049lm
CRI	80
Beam Angle	120°
Fascia Colour	White
Installation	Surface Mount
Warranty	5 years

PRODUCT SPECIFICATIONS

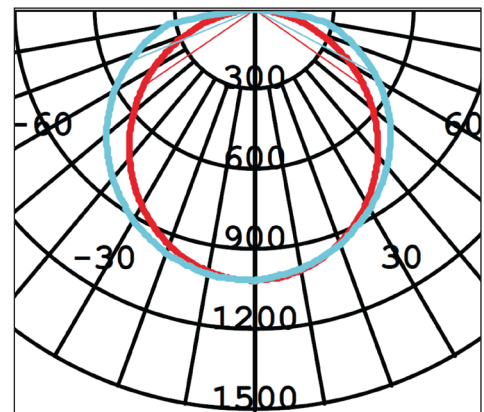
Supply Voltage	240-265V
Supply Frequency	50-60Hz
Cable	NO
Body	PC
Diffuser	PC
Driver	Integral
Weight	G.W : 2.6kgs
	N.W : 2.0kgs
Ambient Temp	0°C - 65°C
Avg. lifetime	≥50,000 hrs@ ta 25°C

Option:
TRIAC Dimming, DALI Dimming,
1-10V Dimming

PHOTO



PHOTOMETRIC DIAGRAM

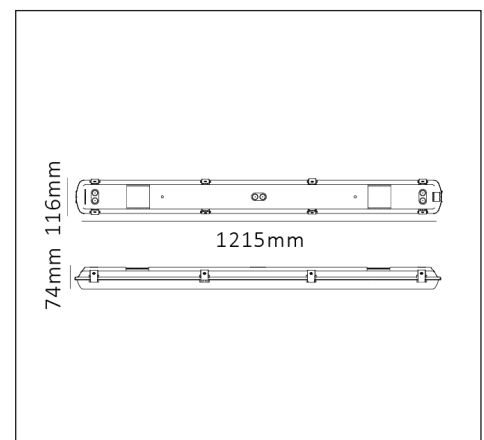


UNIT: cd

— C0/180 110.2deg

— C90/270 129.5deg

DIMENSIONS



Subject to change without notice, errors and omission excepted. Always make sure to use the most recent release.

TRIPROOF20/40W12-TRI-EM

EMERGENCY PACK SPECIFICATIONS

Max Battery Temperature	70°C
Emergency Classification	C0-180° D63
	C90-270° D32

MAXIMUM SPACINGS FOR CLASS D LUMINAIRES

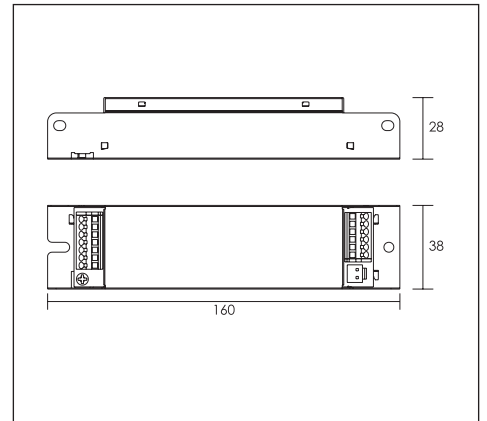
LUMINAIRE CLASSIFICATION	MAXIMUM SPACINGS MOUNTING HEIGHT (METRES)														
	2.1	2.4	2.7	3	3.3	3.6	4	4.5	5	6	7	8	9	10	15
D25	14.2	14.7	15.3	15.7	16.1	16.5	16.9	17.3	17.7	18.1	18.3	18.2	17.9	17.3	7.7
D32	15.4	16.1	16.7	17.2	17.6	18.0	18.5	19.1	19.5	20.2	20.6	20.7	20.6	20.3	14.6
D40	16.7	17.4	18.0	18.6	19.1	19.6	20.1	20.8	21.3	22.1	22.7	23.0	23.1	23.1	19.4
D50	18.0	18.7	19.4	20.1	20.7	21.2	21.8	22.5	23.2	24.2	24.9	25.4	25.7	25.9	15.2
D63	19.4	20.3	21.1	21.8	22.4	23.0	23.7	24.5	25.2	26.4	27.4	28.1	28.6	28.9	22.5

Battery Warranty **1 year**

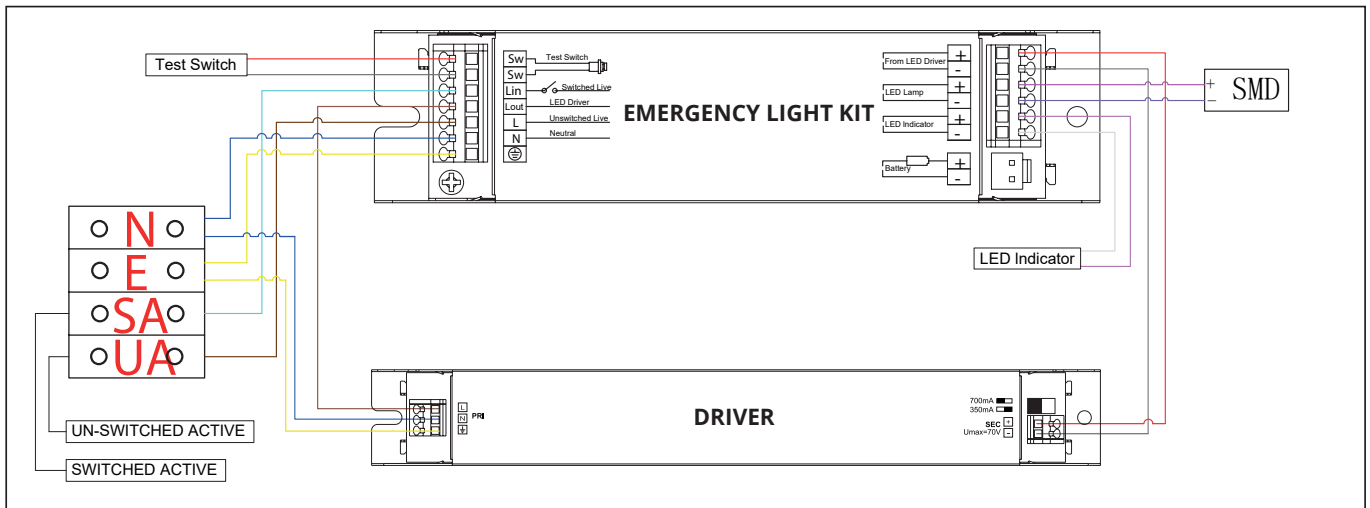
PHOTO



DIMENSIONS



WIRING DIAGRAM



Subject to change without notice, errors and omission excepted. Always make sure to use the most recent release.