



Technical Catalogue

Pro Series



clipsal.com/proseries

Life Is On

CLIPSAL
by Schneider Electric



Contents



Pro Series

Overview

Marketing overview	4-5
Platform overview	6

Ordering Information 8

Customer Ordering	9-10
Packaging	11

Wiring Devices 12-130

Switches	13-24
Switch grids	25-36
Switch skins	37-42
Cooker switches	43-44
IP rated switches	45-48
Architrave switches	49-50
Sockets	51-74
Socket grids	75-91
Socket skins	92-107
Mechanisms and Modules	108-123

Electronic Accessories 124-133

Network Connectivity 134

Audio Connectors	135-136
TV sockets and plates	137-138
HDMI sockets	139-140
Telephone sockets	141
Actassi RJ 45 sockets	142-145

Mounting Blocks 146-149

Wall Boxes 150

Wall Brackets 151

C-Bus Modules 152-153

Interfaces 154-163

Cut-out Diagrams 164-165

Wiring Diagrams 166-172

Pictograms and labels 173

Cleaning and General Instructions 174

Green Premium Overview -

The Pro Series – clever, strong, easy

Pro Series is the first range of hard-wearing switches and sockets designed to meet the needs of commercial buildings.

Clever features

After extensive market research and listening to customer feedback, we have designed a range of switches and sockets for commercial buildings to answer your needs. Pro Series offers permanent circuit identification with large integrated windows. The skin requires a tool to be removed and this helps to protect your investment. Planning, commissioning and installing of the Pro Series is quick and easy.

Attractive design

The range is aesthetically appealing with fresh, clean lines and beveled edges to deflect impacts. Available in white and black, the switches and sockets will blend into any commercial environment. The clean and seamless design makes for an elegant and timeless appearance and avoids attracting dirt. Pro Series is simple, functional design that's made to go the distance.

Extensive functions

The Pro Series includes a full range of products. Switches offer standard modules, and electronic modules such as sensors, timers and C-Bus. Sockets are available in several variants, and in horizontal and vertical orientation. There is also a wide choice of USB options available.



Pro Series socket, white



Pro Series socket, black



Circuit ID window



Clip-on Skins (tool removal)



Impact deflection



Seamless design



IK08 impact resistant

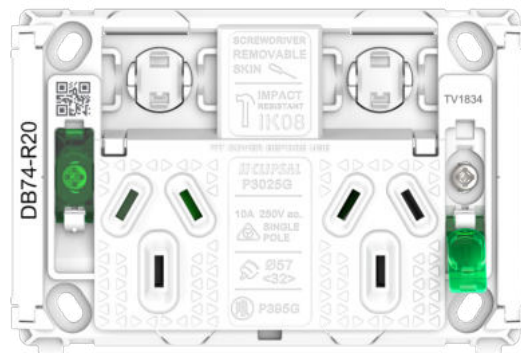


Extensive list of functions

Clever features

Clear advantages

With Pro Series, a clear window is included to help protect the Circuit identification labels. No longer can circuit identifiers be damaged, wiped off, or made unreadable. The labels adhere to panels designed into the grids, so even if skins are inadvertently swapped during maintenance, the labels will always display the correct circuit identification. There are two windows on opposite edges, so it can be visible in any situation.

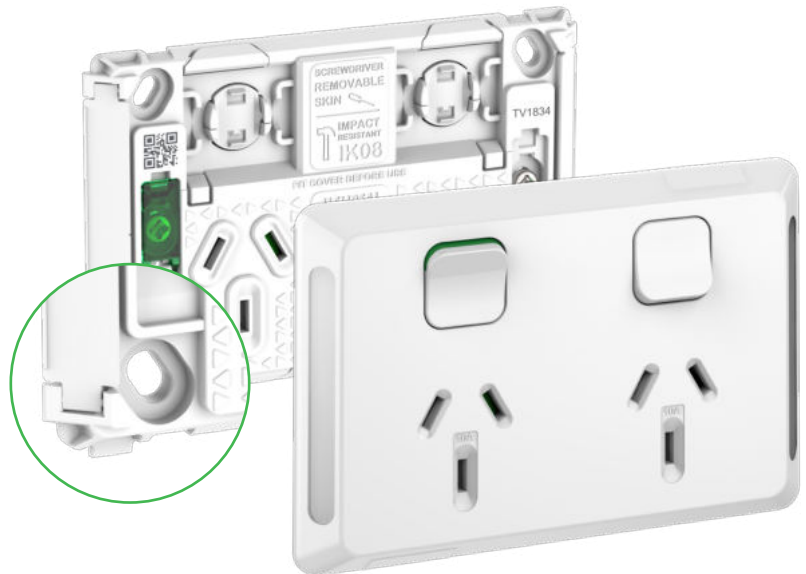


Consistent location on sockets and switches

Compatible with 9 mm Dymo and Traffolyte labels 55 x 7.5 x 1.6 mm

Public Spaces

Lost skins are a frequent problem in public buildings. The Pro Series comes with skins that clip-on but require a tool to remove. Fixing them is easy and fast – you simply click them onto the grid. No screws are needed. Special notches on the skins allow quick and easy removal with a screwdriver.



Long-lasting and robust

Sockets positioned low on walls can be exposed to rough conditions like bumps from trolleys and other equipment, which can often result in cracked or broken skins. That's why Pro Series sockets are made extra tough and have an IK08 impact rating*.



IK08 impact resistant

*Standard sockets only, does not include switches or sockets with extra switches.

Easier fit-offs

Switch plates

Locking bar

Helps to reduce the potential of module pushbacks, and makes it easier to change and upgrade

40 Series modules

Fully compatible with all 40 Series modules

Screw covers

Help limit direct access to the screws after installation



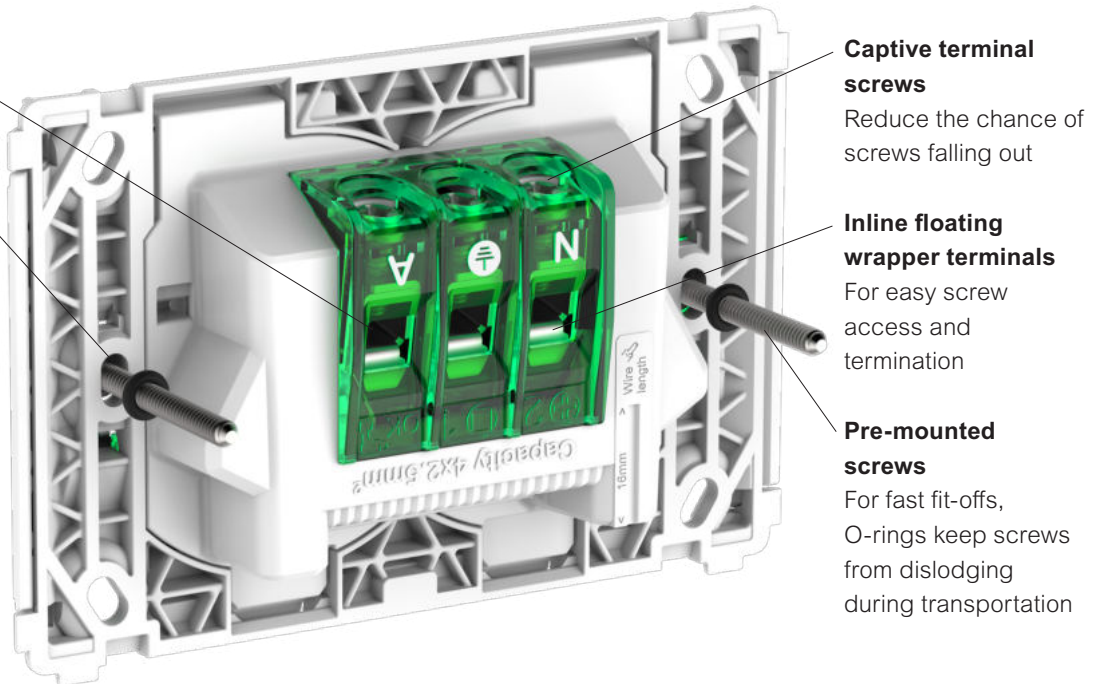
Sockets

Large terminals

Accommodate up to 4 x 2.5 mm cables

Standard mounting

84 mm mounting centres fit standard mounting accessories





Ordering Information

The Pro Series range allows for hundreds of custom configurations, including features such as dimming, BLE and timeclocks. It is available either preassembled or customisable for personal configuration.



The modular design allows users to create custom configurations to suit any specific requirement. The Pro Series grids, modules and skins can be ordered separately to allow users ultimate convenience.

A variety of convenient and popular configurations are available pre-assembled in White to make ordering easier. Black skins can be purchased separately.

Pro Series is compatible only with the 40 Series modules.

Switch nomenclature

P304XVA	(V) = vertical (A) = assembled
P304XHA	(H) = horizontal (A) = assembled
P30	P3000 series
4X	40 Series Mech where (X) = Gang of switches [1 gang, 2 gang, 3 gang, etc]

Socket Nomenclature

P30	P3000 series
P3025	Socket, switched, twin horizontal 10 Amp
P3025-15	Socket, switched, twin horizontal 15 Amp
P3025V	Socket, switched, twin vertical 10 Amp

Customer Ordering

Catalogue Number Convention

Example - Add the gridplate and decorative skin of your choice



Prefix = Design C = Skin ** = Finish



G = Grid



White=XW



Black=BK



Blue=DB*



Red=RD*

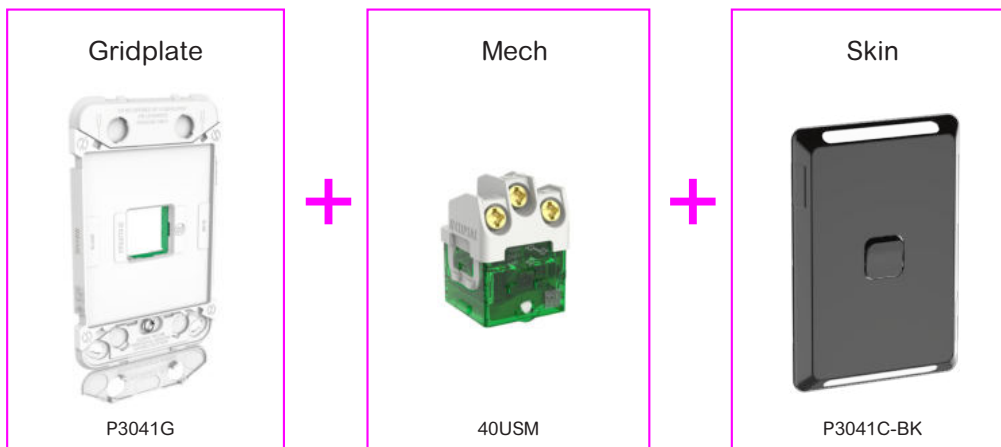


Green=GR*

*Available for specific references only

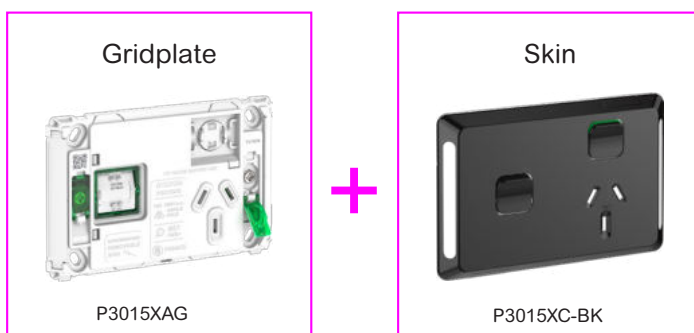
Single Switch

Example - Order the gridplate and the black skin



Switched Sockets

Example - Order the gridplate and the black skin



Single Switch + USB

Example - Add the gridplate + USB module and skin of your choice



2 Gang Switch + Pictograms

Example - Add the gridplate + Interfaces and skin of your choice



Packaging

A family of revolutionary packaging designs have been created for Pro Series

Boxes

Multi-function box design offers protection during transport and is ideal for electricians vans. Additionally, the box can be opened to transform into a shelf display.



Contains a quantity of 10 products (regular sized skins).



Contains a quantity of 5 products (longer quad skins).



Hangsell bags

Can be removed from their boxes and loaded directly into the trays.



Shipper Carton

Multi-function box design offers protection during transport and is ideal for electricians vans. Additionally, the box can be opened to transform into a shelf display.

Wiring Devices



Switches

P3041VA

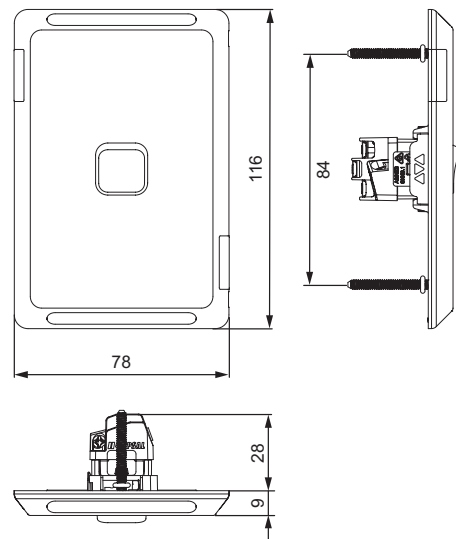
Pro Series - 1 gang vertical switch assembly 20 A - 16 AX 250 V

Main	
Range	Clipsal Pro Series
Product type	Switch
Device presentation	Complete switch
Included equipment	Screws, Switch, Grid plate, and Skin
Device application	Lighting
Mounted method	By screws
Colour	White (XW)
Type of packing	Polybag
Pack Size	Set of 10
Electrical Rating	20 A - 16 AX, 250 Vac 50 Hz



Complementary	
Device mounting	Flush
Switch function	1/2-way
Number of gangs	1 gang
Number of rocker	1
Actuator	Rocker
Surface finish	Gloss
Surface treatment	Untreated
Ambient air temperature for storage	0...60 °C
Motor M-rating AS3133	M80
Load type	Inductive, Light, Fluorescent lamp, and LED
Ambient air temperature for operation	0...45 °C
Relative humidity	10...95 %
Electrical durability	10,000 operations @ 20 A, conforming to AS/NZS 60669
Connections - terminals	4 x screw terminals
Screwdriver shape	Philips (No 2); Square drive No 1 (SQ1)
Cable size capacity	4 x 1.5 mm ² ; 3 x 2.5 mm ²
Wire stripping length	10 mm
Material	Grid plate : PC (polycarbonate) Screw cap : PC (polycarbonate) Infill : ABS (acrylonitrile butadiene-styrene) Skin : ABS (acrylonitrile butadiene-styrene) Window : PC (polycarbonate) Housing : PC (polycarbonate); PA66 (polyamide) Locking bar : POM (polyoxymethylene)
Dimensions (HxWxD) mm	116x78x28
Product weight	0.067 kg

Dimensions (mm)



Environment	
Product certifications	RCM

Switches (continued)

P3042VA

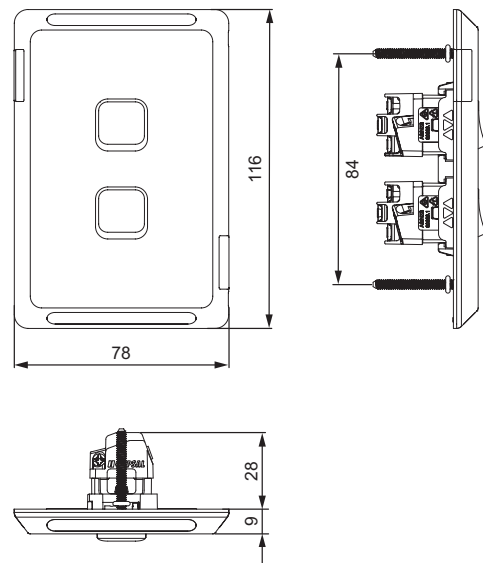
Pro Series - 2 gang vertical switch assembly 20 A - 16 AX 250 V

Main	
Range	Clipsal Pro Series
Product type	Switch
Device presentation	Complete switch
Included equipment	Screws, 2 x Switches, Grid plate, and Skin
Device application	Lighting
Mounted method	By screws
Colour	White (XW)
Type of packing	Polybag
Pack Size	Set of 10
Electrical Rating	20 A - 16 AX, 250 Vac 50 Hz



Complementary	
Device mounting	Flush
Switch function	1/2-way
Number of gangs	2 gang
Number of rocker	2
Actuator	Rocker
Surface finish	Gloss
Surface treatment	Untreated
Ambient air temperature for storage	0...60 °C
Motor M-rating AS3133	M80
Load type	Inductive, Light, Fluorescent lamp, and LED
Ambient air temperature for operation	0...45 °C
Relative humidity	10...95 %
Electrical durability	10,000 operations @ 20 A, conforming to AS/NZS 60669
Connections - terminals	4 x screw terminals
Screwdriver shape	Philips (No 2); Square drive No 1 (SQ1)
Cable size capacity	4 x 1.5 mm ² ; 3 x 2.5 mm ²
Wire stripping length	10 mm
Material	Grid plate : PC (polycarbonate) Screw cap : PC (polycarbonate) Infill : ABS (acrylonitrile butadiene-styrene) Skin : ABS (acrylonitrile butadiene-styrene) Window : PC (polycarbonate) Housing : PC (polycarbonate); PA66 (polyamide) Locking bar : POM (polyoxymethylene)
Dimensions (HxWxD) mm	116x78x28
Product weight	0.082 kg

Dimensions (mm)



Environment	
Product certifications	RCM

Switches (continued)

P3043VA

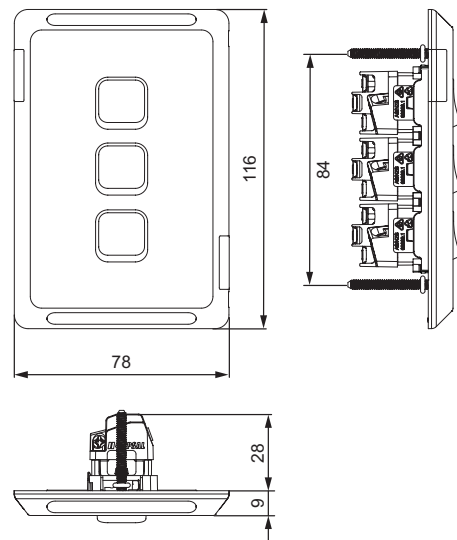
Pro Series - 3 gang vertical switch assembly 20 A - 16 AX 250 V

Main	
Range	Clipsal Pro Series
Product type	Switch
Device presentation	Complete switch
Included equipment	Screws, 3 x Switches, Grid plate, and Skin
Device application	Lighting
Mounted method	By screws
Colour	White (XW)
Type of packing	Polybag
Pack Size	Set of 10
Electrical Rating	20 A - 16 AX, 250 Vac 50 Hz



Complementary	
Device mounting	Flush
Switch function	1/2-way
Number of gangs	3 gang
Number of rocker	3
Actuator	Rocker
Surface finish	Gloss
Surface treatment	Untreated
Ambient air temperature for storage	0...60 °C
Motor M-rating AS3133	M80
Load type	Inductive, Light, Fluorescent lamp, and LED
Ambient air temperature for operation	0...45 °C
Relative humidity	10...95 %
Electrical durability	10,000 operations @ 20 A, conforming to AS/NZS 60669
Connections - terminals	4 x screw terminals
Screwdriver shape	Philips (No 2); Square drive No 1 (SQ1)
Cable size capacity	4 x 1.5 mm ² ; 3 x 2.5 mm ²
Wire stripping length	10 mm
Material	Grid plate : PC (polycarbonate) Screw cap : PC (polycarbonate) Infill : ABS (acrylonitrile butadiene-styrene) Skin : ABS (acrylonitrile butadiene-styrene) Window : PC (polycarbonate) Housing : PC (polycarbonate); PA66 (polyamide) Locking bar : POM (polyoxymethylene)
Dimensions (HxWxD) mm	116x78x28
Product weight	0.097 kg

Dimensions (mm)



Environment	
Product certifications	RCM

Switches (continued)

P3044VA

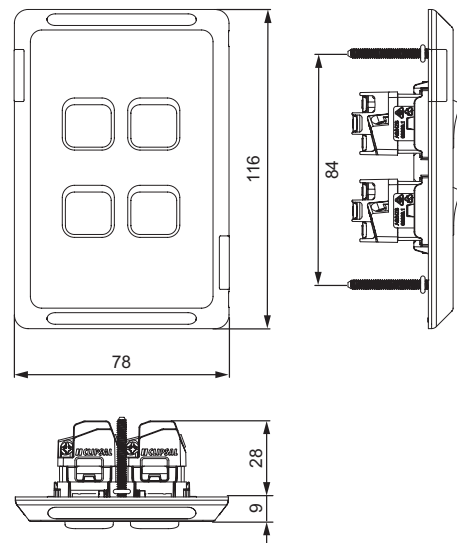
Pro Series - 4 gang vertical switch assembly 20 A - 16 AX 250 V

Main	
Range	Clipsal Pro Series
Product type	Switch
Device presentation	Complete switch
Included equipment	Screws, 4 x Switches, Grid plate, and Skin
Device application	Lighting
Mounted method	By screws
Colour	White (XW)
Type of packing	Polybag
Pack Size	Set of 10
Electrical Rating	20 A - 16 AX, 250 Vac 50 Hz



Complementary	
Device mounting	Flush
Switch function	1/2-way
Number of gangs	4 gang
Number of rocker	4
Actuator	Rocker
Surface finish	Gloss
Surface treatment	Untreated
Ambient air temperature for storage	0...60 °C
Motor M-rating AS3133	M80
Load type	Inductive, Light, Fluorescent lamp, and LED
Ambient air temperature for operation	0...45 °C
Relative humidity	10...95 %
Electrical durability	10,000 operations @ 20 A, conforming to AS/NZS 60669
Connections - terminals	4 x screw terminals
Screwdriver shape	Philips (No 2); Square drive No 1 (SQ1)
Cable size capacity	4 x 1.5 mm ² ; 3 x 2.5 mm ²
Wire stripping length	10 mm
Material	Grid plate : PC (polycarbonate) Screw cap : PC (polycarbonate) Infill : ABS (acrylonitrile butadiene-styrene) Skin : ABS (acrylonitrile butadiene-styrene) Window : PC (polycarbonate) Housing : PC (polycarbonate); PA66 (polyamide) Locking bar : POM (polyoxymethylene)
Dimensions (HxWxD) mm	116x78x28
Product weight	0.114 kg

Dimensions (mm)



Environment

Product certifications	RCM
------------------------	-----

Switches (continued)

P3045VA

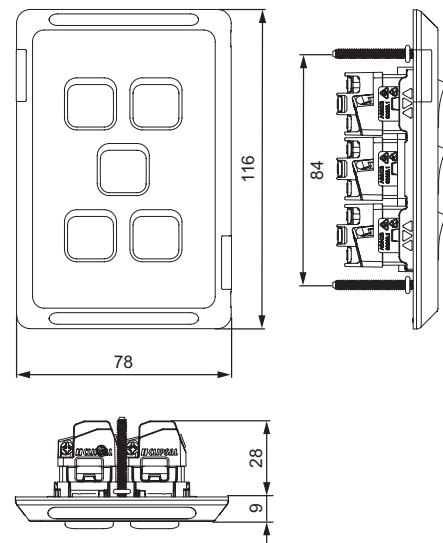
Pro Series - 5 gang vertical switch assembly 20 A - 16 AX 250 V

Main	
Range	Clipsal Pro Series
Product type	Switch
Device presentation	Complete switch
Included equipment	Screws, 5 x Switches, Grid plate, and Skin
Device application	Lighting
Mounted method	By screws
Colour	White (XW)
Type of packing	Polybag
Pack Size	Set of 10
Electrical Rating	20 A - 16 AX, 250 Vac 50 Hz



Complementary	
Device mounting	Flush
Switch function	1/2-way
Number of gangs	5 gang
Number of rocker	5
Actuator	Rocker
Surface finish	Gloss
Surface treatment	Untreated
Ambient air temperature for storage	0...60 °C
Motor M-rating AS3133	M80
Load type	Inductive, Light, Fluorescent lamp, and LED
Ambient air temperature for operation	0...45 °C
Relative humidity	10...95 %
Electrical durability	10,000 operations @ 20 A, conforming to AS/NZS 60669
Connections - terminals	4 x screw terminals
Screwdriver shape	Philips (No 2); Square drive No 1 (SQ1)
Cable size capacity	4 x 1.5 mm ² ; 3 x 2.5 mm ²
Wire stripping length	10 mm
Material	Grid plate : PC (polycarbonate) Screw cap : PC (polycarbonate) Infill : ABS (acrylonitrile butadiene-styrene) Skin : ABS (acrylonitrile butadiene-styrene) Window : PC (polycarbonate) Housing : PC (polycarbonate); PA66 (polyamide) Locking bar : POM (polyoxymethylene)
Dimensions (HxWxD) mm	116x78x28
Product weight	0.108 kg

Dimensions (mm)



Environment	
Product certifications	RCM

Switches (continued)

P3046VA

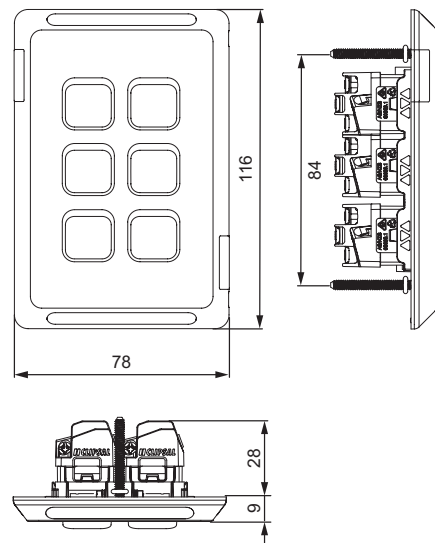
Pro Series - 6 gang vertical switch assembly 20 A - 16 AX 250 V

Main	
Range	Clipsal Pro Series
Product type	Switch
Device presentation	Complete switch
Included equipment	Screws, 6 x Switches, Grid plate, and Skin
Device application	Lighting
Mounted method	By screws
Colour	White (XW)
Type of packing	Polybag
Pack Size	Set of 10
Electrical Rating	20 A - 16 AX, 250 Vac 50 Hz



Complementary	
Device mounting	Flush
Switch function	1/2-way
Number of gangs	6 gang
Number of rocker	6
Actuator	Rocker
Surface finish	Gloss
Surface treatment	Untreated
Ambient air temperature for storage	0...60 °C
Motor M-rating AS3133	M80
Load type	Inductive, Light, Fluorescent lamp, and LED
Ambient air temperature for operation	0...45 °C
Relative humidity	10...95 %
Electrical durability	10,000 operations @ 20 A, conforming to AS/NZS 60669
Connections - terminals	4 x screw terminals
Screwdriver shape	Philips (No 2); Square drive No 1 (SQ1)
Cable size capacity	4 x 1.5 mm ² ; 3 x 2.5 mm ²
Wire stripping length	10 mm
Material	Grid plate : PC (polycarbonate) Screw cap : PC (polycarbonate) Infill : ABS (acrylonitrile butadiene-styrene) Skin : ABS (acrylonitrile butadiene-styrene) Window : PC (polycarbonate) Housing : PC (polycarbonate); PA66 (polyamide) Locking bar : POM (polyoxymethylene)
Dimensions (HxWxD) mm	116x78x28
Product weight	0.125 kg

Dimensions (mm)



Environment	
Product certifications	RCM

Switches (continued)

P3041HA

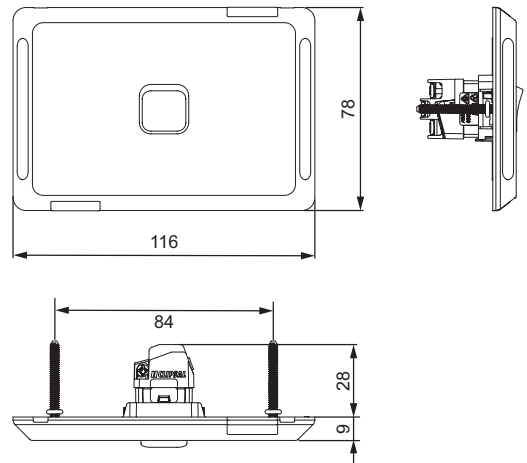
Pro Series - 1 gang horizontal switch assembly 20 A - 16 AX 250 V

Main	
Range	Clipsal Pro Series
Product type	Switch
Device presentation	Complete switch
Included equipment	Screws, Switch, Grid plate, and Skin
Device application	Lighting
Mounted method	By screws
Colour	White (XW)
Type of packing	Polybag
Pack Size	Set of 10
Electrical Rating	20 A - 16 AX, 250 Vac 50 Hz



Complementary	
Device mounting	Flush
Switch function	1/2-way
Number of gangs	1 gang
Number of rocker	1
Actuator	Rocker
Surface finish	Gloss
Surface treatment	Untreated
Ambient air temperature for storage	0...60 °C
Motor M-rating AS3133	M80
Load type	Inductive, Light, Fluorescent lamp, and LED
Ambient air temperature for operation	0...45 °C
Relative humidity	10...95 %
Electrical durability	10,000 operations @ 20A, conforming to AS/NZS 60669
Connections - terminals	4 x screw terminals
Screwdriver shape	Philips (No 2); Square drive No 1 (SQ1)
Cable size capacity	4 x 1.5 mm ² ; 3 x 2.5 mm ²
Wire stripping length	10 mm
Material	Grid plate : PC (polycarbonate) Screw cap : PC (polycarbonate) Infill : ABS (acrylonitrile butadiene-styrene) Skin : ABS (acrylonitrile butadiene-styrene) Window : PC (polycarbonate) Housing : PC (polycarbonate); PA66 (polyamide) Locking bar : POM (polyoxymethylene)
Dimensions (HxWxD) mm	78x116x28
Product weight	0.05 kg

Dimensions (mm)



Environment	
Product certifications	RCM

Switches (continued)

P3042HA

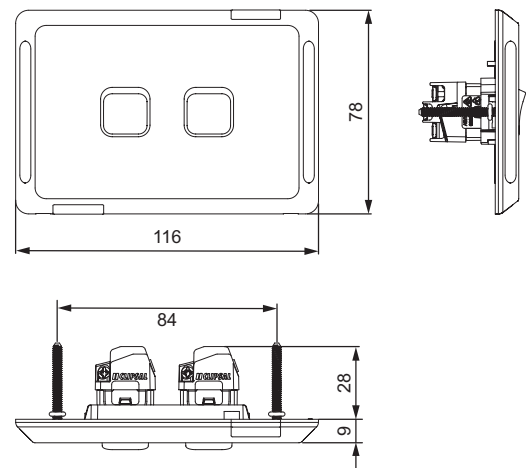
Pro Series - 2 gang horizontal switch assembly 20 A - 16 AX 250 V

Main	
Range	Clipsal Pro Series
Product type	Switch
Device presentation	Complete switch
Included equipment	Screws, 2 x Switches, Grid plate, and Skin
Device application	Lighting
Mounted method	By screws
Colour	White (XW)
Type of packing	Polybag
Pack Size	Set of 10
Electrical Rating	20 A - 16 AX, 250 Vac 50 Hz

Complementary	
Device mounting	Flush
Switch function	1/2-way
Number of gangs	2 gang
Number of rocker	2
Actuator	Rocker
Surface finish	Gloss
Surface treatment	Untreated
Ambient air temperature for storage	0...60 °C
Motor M-rating AS3133	M80
Load type	Inductive, Light, Fluorescent lamp, and LED
Ambient air temperature for operation	0...45 °C
Relative humidity	10...95 %
Electrical durability	10,000 operations @ 20A, conforming to AS/NZS 60669
Connections - terminals	4 x screw terminals
Screwdriver shape	Philips (No 2); Square drive No 1 (SQ1)
Cable size capacity	4 x 1.5 mm ² ; 3 x 2.5 mm ²
Wire stripping length	10 mm
Material	Grid plate : PC (polycarbonate) Screw cap : PC (polycarbonate) Infill : ABS (acrylonitrile butadiene-styrene) Skin : ABS (acrylonitrile butadiene-styrene) Window : PC (polycarbonate) Housing : PC (polycarbonate); PA66 (polyamide) Locking bar : POM (polyoxymethylene)
Dimensions (HxWxD) mm	78x116x28
Product weight	0.066 kg



Dimensions (mm)



Environment	
Product certifications	RCM

Switches (continued)

P3043HA

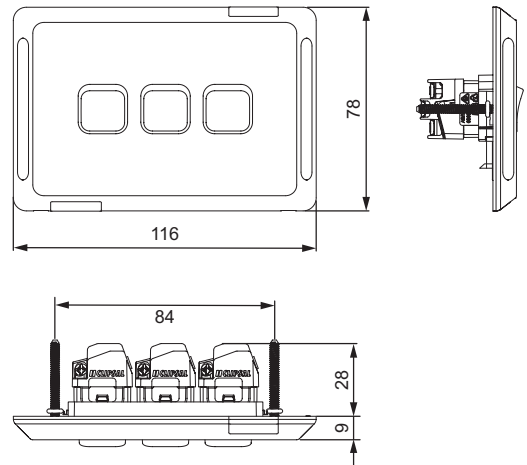
Pro Series - 3 gang horizontal switch assembly 20 A - 16 AX 250 V

Main	
Range	Clipsal Pro Series
Product type	Switch
Device presentation	Complete switch
Included equipment	Screws, 3 x Switches, Grid plate, and Skin
Device application	Lighting
Mounted method	By screws
Colour	White (XW)
Type of packing	Polybag
Pack Size	Set of 10
Electrical Rating	20 A - 16 AX, 250 Vac 50 Hz



Complementary	
Device mounting	Flush
Switch function	1/2-way
Number of gangs	3 gang
Number of rocker	3
Actuator	Rocker
Surface finish	Gloss
Surface treatment	Untreated
Ambient air temperature for storage	0...60 °C
Motor M-rating AS3133	M80
Load type	Inductive, Light, Fluorescent lamp, and LED
Ambient air temperature for operation	0...45 °C
Relative humidity	10...95 %
Electrical durability	10,000 operations @ 20A, conforming to AS/NZS 60669
Connections - terminals	4 x screw terminals
Screwdriver shape	Philips (No 2); Square drive No 1 (SQ1)
Cable size capacity	4 x 1.5 mm ² ; 3 x 2.5 mm ²
Wire stripping length	10 mm
Material	Grid plate : PC (polycarbonate) Screw cap : PC (polycarbonate) Infill : ABS (acrylonitrile butadiene-styrene) Skin : ABS (acrylonitrile butadiene-styrene) Window : PC (polycarbonate) Housing : PC (polycarbonate); PA66 (polyamide) Locking bar : POM (polyoxymethylene)
Dimensions (HxWxD) mm	78x116x28
Product weight	0.076 kg

Dimensions (mm)



Environment	
Product certifications	RCM

Switches (continued)

P3044HA

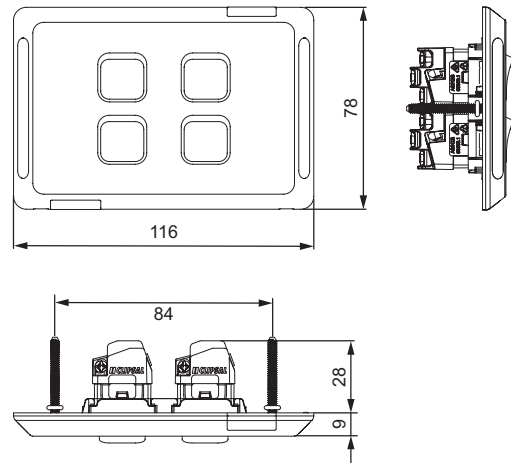
Pro Series - 4 gang horizontal switch assembly 20 A - 16 AX 250 V

Main	
Range	Clipsal Pro Series
Product type	Switch
Device presentation	Complete switch
Included equipment	Screws, 4 x Switches, Grid plate, and Skin
Device application	Lighting
Mounted method	By screws
Colour	White (XW)
Type of packing	Polybag
Pack Size	Set of 10
Electrical Rating	20 A - 16 AX, 250 Vac 50 Hz



Complementary	
Device mounting	Flush
Switch function	1/2-way
Number of gangs	4 gang
Number of rocker	4
Actuator	Rocker
Surface finish	Gloss
Surface treatment	Untreated
Ambient air temperature for storage	0...60 °C
Motor M-rating AS3133	M80
Load type	Inductive, Light, Fluorescent lamp, and LED
Ambient air temperature for operation	0...45 °C
Relative humidity	10...95 %
Electrical durability	10,000 operations @ 20 A, conforming to AS/NZS 60669
Connections - terminals	4 x screw terminals
Screwdriver shape	Philips (No 2); Square drive No 1 (SQ1)
Cable size capacity	4 x 1.5 mm ² ; 3 x 2.5 mm ²
Wire stripping length	10 mm
Material	Grid plate : PC (polycarbonate) Screw cap : PC (polycarbonate) Infill : ABS (acrylonitrile butadiene-styrene) Skin : ABS (acrylonitrile butadiene-styrene) Window : PC (polycarbonate) Housing : PC (polycarbonate); PA66 (polyamide) Locking bar : POM (polyoxymethylene)
Dimensions (HxWxD) mm	78x116x28
Product weight	0.092 kg

Dimensions (mm)



Environment	
Product certifications	RCM

Switches (continued)

P3040VX

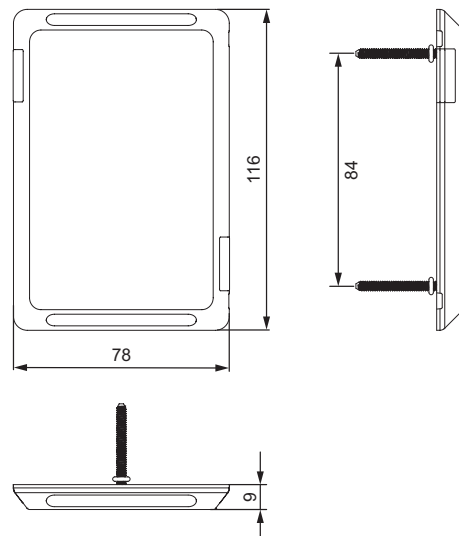
Pro Series - Blank plate to conceal holes in walls

Main	
Range	Clipsal Pro Series
Aesthetic name	Pro Series
Product type	Blank Plate
Provided equipment	Screws, Grid plate, and Skin
Pack Size	Set of 10
Colour	White (XW), Black (BK)
Type of packing	Polybag

Complementary	
Device mounting	Flush
Device presentation	Assembly
Fixing mode	By screws
Surface finish	Gloss
Surface treatment	Untreated
Screwdriver shape	Philips (No 2); Square drive No 1 (SQ1)
Ambient air temperature for storage	0...60 °C
Ambient air temperature for operation	0...45 °C
Relative humidity	10...95 %
Material	Grid plate : PC (polycarbonate) Screw cap : PC (polycarbonate) Infill : ABS (acrylonitrile butadiene-styrene) Skin : ABS (acrylonitrile butadiene-styrene) Window : PC (polycarbonate)
Dimensions (HxWxD) mm	116x78x9
Product weight	0.04 kg



Dimensions (mm)



Switches (continued)

P3019

Pro Series - Switch Time Delay 10 A

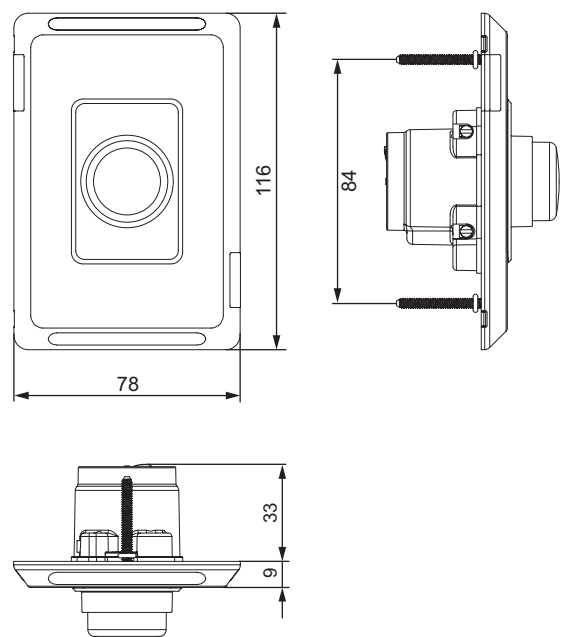
Main	
Range	Clipsal Pro Series
Product type	Time switch
Device presentation	Complete product
Device application	Lighting
Colour	White (XW)
Fixing mode	By screws
Type of packing	Polybag
Quantity per set	Set of 5
Rated current	6 AX

Complementary	
Device mounting	Wall
Control type	Push type
Switch function	1-pole 1-way
Number of rocker	1
[Ue] rated operational voltage	250 V
Surface finish	Gloss
Surface treatment	Untreated
Ambient air temperature for operation	0-45 °C
Relative humidity	10-95 %
Connections - terminals	Screw terminal
Cable size capacity	4 x 1.5 mm ² ; 3 x 2.5 mm ²
Material	PC (polycarbonate) PP (polypropylene) ABS (acrylonitrile butadiene-styrene) POM (polyoxymethylene)
Dimensions (HxWxD) mm	116x78x38
Product weight	0.108 kg

Environment	
Product certifications	RCM



Dimensions (mm)



Switch Grids

P3041G

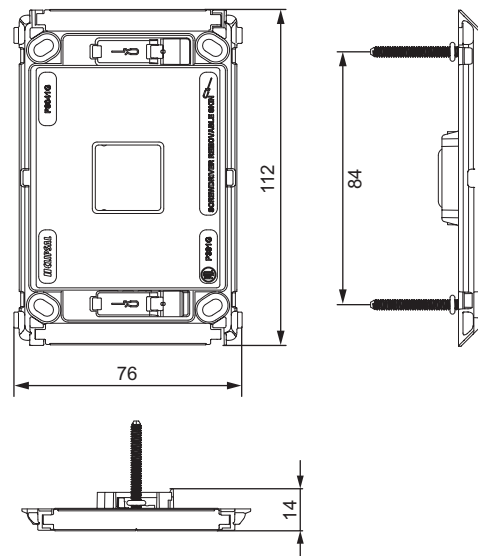
Pro Series - 1 gang grid plate vertical/horizontal

Main	
Range	Clipsal Pro Series
Product type	Switch
Device presentation	Grid plate
Included equipment	Screws and Grid plate
Mounted method	By screws
Type of packing	Polybag
Pack Size	Set of 10

Complementary	
Number of gangs	1 gang
Ambient air temperature for storage	0...60 °C
Ambient air temperature for operation	0...45 °C
Relative humidity	10...95 %
Screwdriver shape	Philips (No 2); Square drive No 1 (SQ1)
Material	Grid plate : PC (polycarbonate) Screw cap : PC (polycarbonate) Infill : ABS (acrylonitrile butadiene-styrene) Locking bar : POM (polyoxymethylene)
Dimensions (HxWxD) mm	112x76x5
Product weight	0.032 kg



Dimensions (mm)



Switch Grids (continued)

P3042G

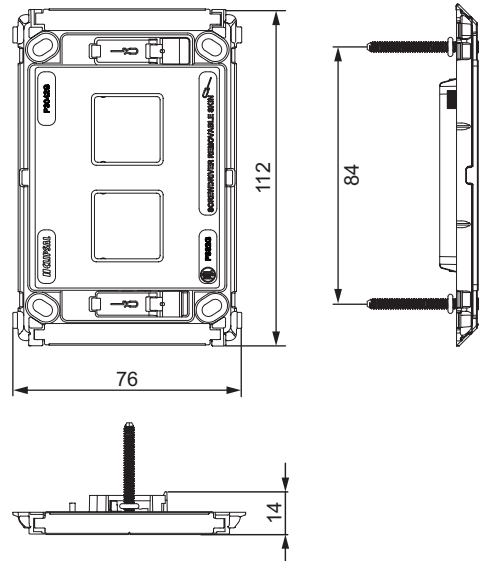
Pro Series - 2 gang grid plate vertical/horizontal

Main	
Range	Clipsal Pro Series
Product type	Switch
Device presentation	Grid plate
Included equipment	Screws and Grid plate
Mounted method	By screws
Type of packing	Polybag
Pack Size	Set of 10

Complementary	
Number of gangs	2 gang
Ambient air temperature for storage	0...60 °C
Ambient air temperature for operation	0...45 °C
Relative humidity	10...95 %
Screwdriver shape	Philips (No 2); Square drive No 1 (SQ1)
Material	Grid plate : PC (polycarbonate) Screw cap : PC (polycarbonate) Infill : ABS (acrylonitrile butadiene-styrene) Locking bar : POM (polyoxymethylene)
Dimensions (HxWxD) mm	112x76x5
Product weight	0.032 kg



Dimensions (mm)



Switch Grids (continued)

P3043G

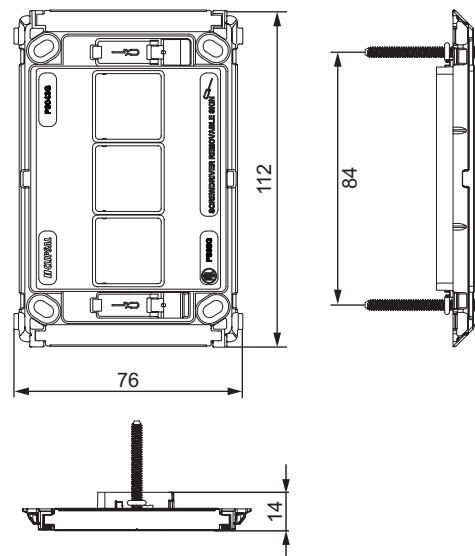
Pro Series - 3 gang grid plate vertical/horizontal

Main	
Range	Clipsal Pro Series
Product type	Switch
Device presentation	Grid plate
Included equipment	Screws and Grid plate
Mounted method	By screws
Type of packing	Polybag
Pack Size	Set of 10

Complementary	
Number of gangs	3 gang
Ambient air temperature for storage	0...60 °C
Ambient air temperature for operation	0...45 °C
Relative humidity	10...95 %
Screwdriver shape	Philips (No 2); Square drive No 1 (SQ1)
Material	Grid plate : PC (polycarbonate) Screw cap : PC (polycarbonate) Infill : ABS (acrylonitrile butadiene-styrene) Locking bar : POM (polyoxymethylene)
Dimensions (HxWxD) mm	112x76x5
Product weight	0.03 kg



Dimensions (mm)



Switch Grids (continued)

P3044G

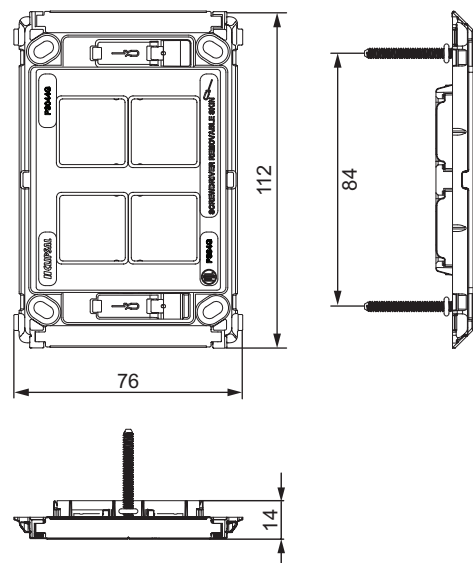
Pro Series - 4 gang grid plate vertical/horizontal

Main	
Range	Clipsal Pro Series
Product type	Switch
Device presentation	Grid plate
Included equipment	Screws and Grid plate
Mounted method	By screws
Type of packing	Polybag
Pack Size	Set of 10

Complementary	
Number of gangs	4 gang
Ambient air temperature for storage	0...60 °C
Ambient air temperature for operation	0...45 °C
Relative humidity	10...95 %
Screwdriver shape	Philips (No 2); Square drive No 1 (SQ1)
Material	Grid plate : PC (polycarbonate) Screw cap : PC (polycarbonate) Infill : ABS (acrylonitrile butadiene-styrene) Locking bar : POM (polyoxymethylene)
Dimensions (HxWxD) mm	112x76x5
Product weight	0.03 kg



Dimensions (mm)



Switch Grids (continued)

P3045G

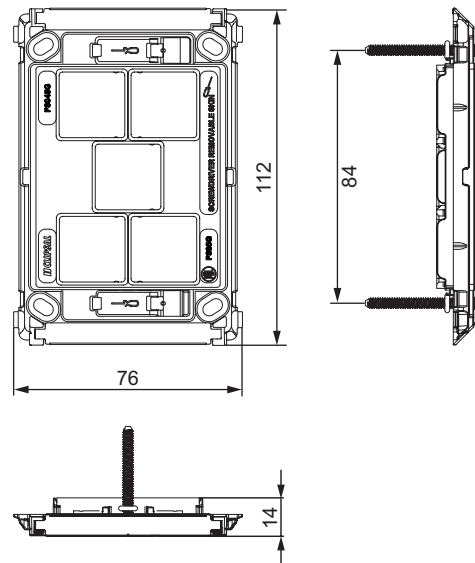
Pro Series - 5 gang grid plate vertical/horizontal

Main	
Range	Clipsal Pro Series
Product type	Switch
Device presentation	Grid plate
Included equipment	Screws and Grid plate
Mounted method	By screws
Type of packing	Polybag
Pack Size	Set of 10

Complementary	
Number of gangs	5 gang
Ambient air temperature for storage	0...60 °C
Ambient air temperature for operation	0...45 °C
Relative humidity	10...95 %
Screwdriver shape	Philips (No 2); Square drive No 1 (SQ1)
Material	Grid plate : PC (polycarbonate) Screw cap : PC (polycarbonate) Infill : ABS (acrylonitrile butadiene-styrene) Locking bar : POM (polyoxymethylene)
Dimensions (HxWxD) mm	112x76x5
Product weight	0.032 kg



Dimensions (mm)



Switch Grids (continued)

P3046G

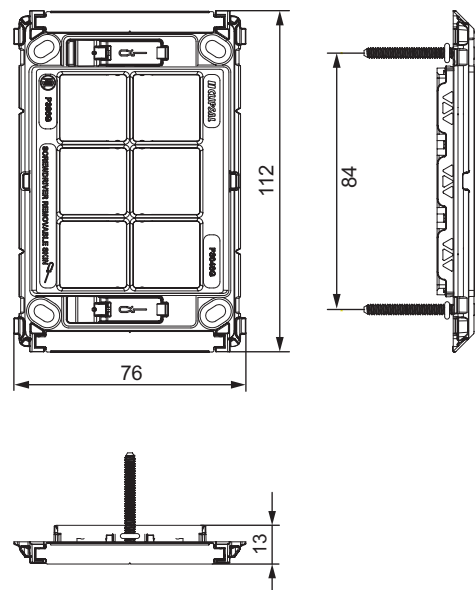
Pro Series - 6 gang grid plate vertical/horizontal

Main	
Range	Clipsal Pro Series
Product type	Switch
Device presentation	Grid plate
Included equipment	Screws and Grid plate
Mounted method	By screws
Type of packing	Polybag
Pack Size	Set of 10

Complementary	
Number of gangs	6 gang
Ambient air temperature for storage	0...60 °C
Ambient air temperature for operation	0...45 °C
Relative humidity	10...95 %
Screwdriver shape	Philips (No 2); Square drive No 1 (SQ1)
Material	Grid plate : PC (polycarbonate) Screw cap : PC (polycarbonate) Infill : ABS (acrylonitrile butadiene-styrene) Locking bar : POM (polyoxymethylene)
Dimensions (HxWxD) mm	112x76x5
Product weight	0.03 kg



Dimensions (mm)



Switch Grids (continued)

P3041VH

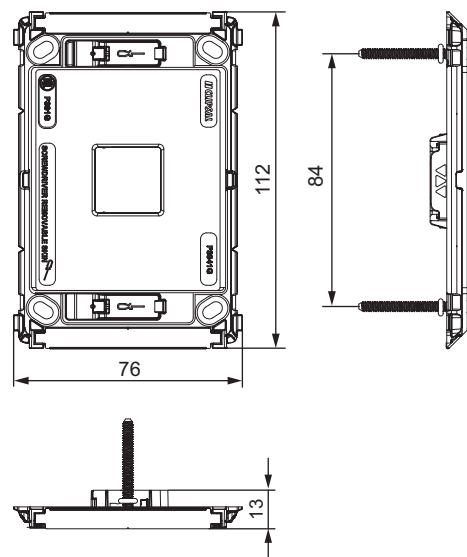
Pro series - 1 gang grid plate and skin with rocker, vertical/horizontal

Main	
Range	Clipsal Pro Series
Product type	Switch
Device presentation	Grid plate and Skin
Included equipment	Screws, Grid plate and Skin
Mounted method	By screws
Type of packing	Polybag
Pack Size	Set of 10

Complementary	
Colour	White (XW)
Surface finish	Gloss
Ambient air temperature for operation	0-45 °C
Relative humidity	10-95 %
Screwdriver shape	Philips (No 2); Square drive No 1 (SQ1)
Material	Grid plate : PC (polycarbonate) Screw cap : PC (polycarbonate) Infill : ABS (acrylonitrile butadiene-styrene) Locking bar : POM (polyoxymethylene) Skin : ABS (acrylonitrile butadiene-styrene) Window : PC (polycarbonate)
Dimensions (HxWxD) mm	76x116x5
Product weight	0.051 kg



Dimensions (mm)



Switch Grids (continued)

P3042VH

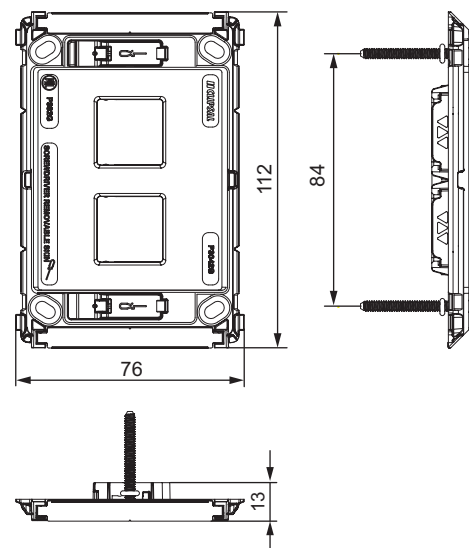
Pro series - 2 gang grid plate and skin with rockers, vertical/horizontal

Main	
Range	Clipsal Pro Series
Product type	Switch
Device presentation	Grid plate and Skin
Included equipment	Screws, Grid plate and Skin
Mounted method	By screws
Type of packing	Polybag
Pack Size	Set of 10

Complementary	
Colour	White (XW)
Surface finish	Gloss
Ambient air temperature for operation	0-45 °C
Relative humidity	10-95 %
Screwdriver shape	Philips (No 2); Square drive No 1 (SQ1)
Material	Grid plate : PC (polycarbonate) Screw cap : PC (polycarbonate) Infill : ABS (acrylonitrile butadiene-styrene) Locking bar : POM (polyoxymethylene) Skin : ABS (acrylonitrile butadiene-styrene) Window : PC (polycarbonate)
Dimensions (HxWxD) mm	76x116x5
Product weight	0.051 kg



Dimensions (mm)



Switch Grids (continued)

P3043VH

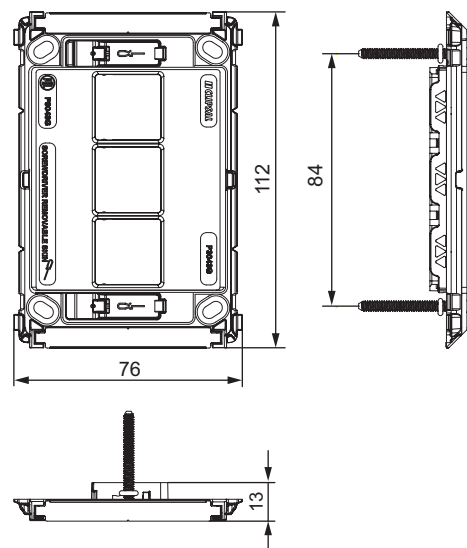
Pro series - 3 gang grid plate and skin with rockers, vertical/horizontal

Main	
Range	Clipsal Pro Series
Product type	Switch
Device presentation	Grid plate and Skin
Included equipment	Screws, Grid plate and Skin
Mounted method	By screws
Type of packing	Polybag
Pack Size	Set of 10

Complementary	
Colour	White (XW)
Surface finish	Gloss
Ambient air temperature for operation	0-45 °C
Relative humidity	10-95 %
Screwdriver shape	Philips (No 2); Square drive No 1 (SQ1)
Material	Grid plate : PC (polycarbonate) Screw cap : PC (polycarbonate) Infill : ABS (acrylonitrile butadiene-styrene) Locking bar : POM (polyoxymethylene) Skin : ABS (acrylonitrile butadiene-styrene) Window : PC (polycarbonate)
Dimensions (HxWxD) mm	76x116x5
Product weight	0.094 kg



Dimensions (mm)



Switch Grids (continued)

P3044VH

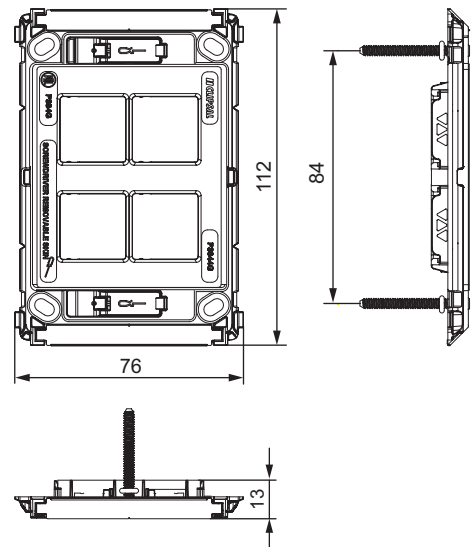
Pro series - 4 gang grid plate and skin with rockers, vertical/horizontal

Main	
Range	Clipsal Pro Series
Product type	Switch
Device presentation	Grid plate and Skin
Included equipment	Screws, Grid plate and Skin
Mounted method	By screws
Type of packing	Polybag
Pack Size	Set of 10

Complementary	
Colour	White (XW)
Surface finish	Gloss
Ambient air temperature for operation	0-45 °C
Relative humidity	10-95 %
Screwdriver shape	Philips (No 2); Square drive No 1 (SQ1)
Material	Grid plate : PC (polycarbonate) Screw cap : PC (polycarbonate) Infill : ABS (acrylonitrile butadiene-styrene) Locking bar : POM (polyoxymethylene) Skin : ABS (acrylonitrile butadiene-styrene) Window : PC (polycarbonate)
Dimensions (HxWxD) mm	76x116x5
Product weight	0.094 kg



Dimensions (mm)



Switch Grids (continued)

P3045VH

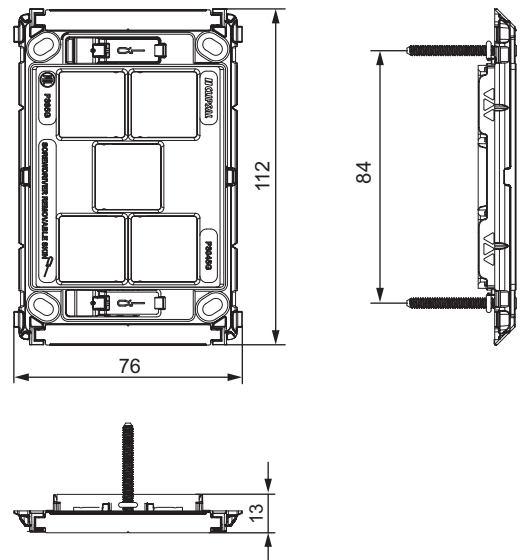
Pro series - 5 gang grid plate and skin with rockers, vertical/horizontal

Main	
Range	Clipsal Pro Series
Product type	Switch
Device presentation	Grid plate and Skin
Included equipment	Screws, Grid plate and Skin
Mounted method	By screws
Type of packing	Polybag
Pack Size	Set of 10

Complementary	
Colour	White (XW)
Surface finish	Gloss
Ambient air temperature for operation	0-45 °C
Relative humidity	10-95 %
Screwdriver shape	Philips (No 2); Square drive No 1 (SQ1)
Material	Grid plate : PC (polycarbonate) Screw cap : PC (polycarbonate) Infill : ABS (acrylonitrile butadiene-styrene) Locking bar : POM (polyoxymethylene) Skin : ABS (acrylonitrile butadiene-styrene) Window : PC (polycarbonate)
Dimensions (HxWxD) mm	76x116x5
Product weight	0.094 kg



Dimensions (mm)



Switch Grids (continued)

P3046VH

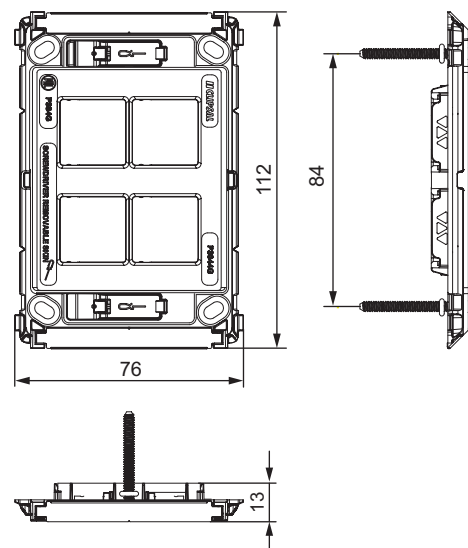
Pro series - 6 gang grid plate and skin with rockers, vertical/horizontal

Main	
Range	Clipsal Pro Series
Product type	Switch
Device presentation	Grid plate and Skin
Included equipment	Screws, Grid plate and Skin
Mounted method	By screws
Type of packing	Polybag
Pack Size	Set of 10

Complementary	
Colour	White (XW)
Surface finish	Gloss
Ambient air temperature for operation	0-45 °C
Relative humidity	10-95 %
Screwdriver shape	Philips (No 2); Square drive No 1 (SQ1)
Material	Grid plate : PC (polycarbonate) Screw cap : PC (polycarbonate) Infill : ABS (acrylonitrile butadiene-styrene) Locking bar : POM (polyoxymethylene) Skin : ABS (acrylonitrile butadiene-styrene) Window : PC (polycarbonate)
Dimensions (HxWxD) mm	76x116x5
Product weight	0.094 kg



Dimensions (mm)



Switch Skins

P3041C

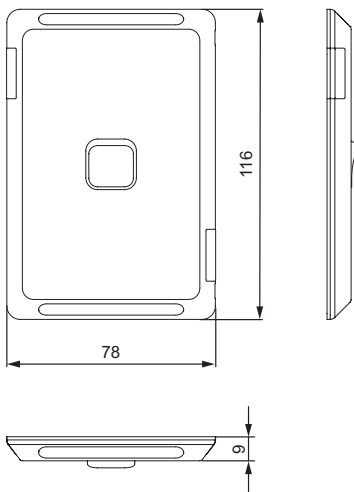
Pro Series - 1 gang skin with rocker

Main	
Range	Clipsal Pro Series
Product type	Skin
Product destination	Switch

Complementary	
Device mounting	Flush
Number of gangs	1 gang horizontal/vertical
Fixing mode	Clip-on
Colour	White (XW), Black (BK)
Surface finish	Gloss
Type of packing	Polybag
Pack Size	Set of 20
Ambient air temperature for operation	0...45 °C
Relative humidity	10...95 %
Material	Skin : ABS (acrylonitrile butadiene-styrene) Window : PC (polycarbonate)
Dimensions (HxWxD) mm	116x78x9
Product weight	0.019 kg



Dimensions (mm)



Switch Skins (continued)

P3042C

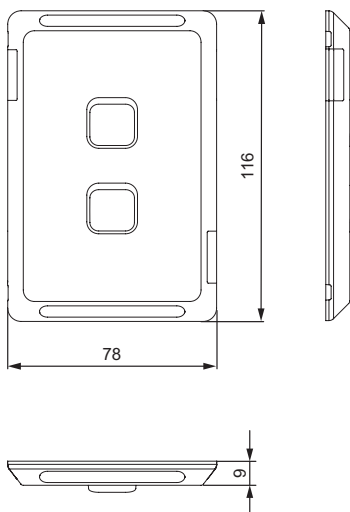
Pro Series - 2 gang skin with rockers

Main	
Range	Clipsal Pro Series
Product type	Skin
Product destination	Switch

Complementary	
Device mounting	Flush
Number of gangs	2 gang horizontal/vertical
Fixing mode	Clip-on
Colour	White (XW), Black (BK)
Surface finish	Gloss
Type of packing	Polybag
Pack Size	Set of 20
Ambient air temperature for operation	0...45 °C
Relative humidity	10...95 %
Material	Skin : ABS (acrylonitrile butadiene-styrene) Window : PC (polycarbonate)
Dimensions (HxWxD) mm	116x78x9
Product weight	0.02 kg



Dimensions (mm)



Switch Skins (continued)

P3043C

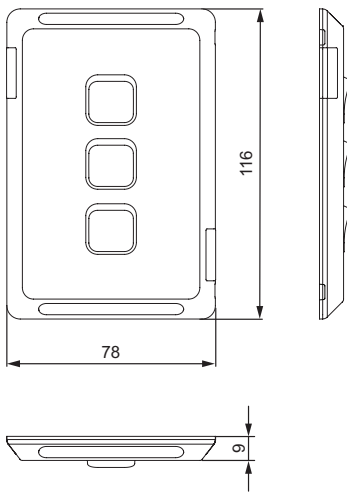
Pro Series - 3 gang skin with rockers

Main	
Range	Clipsal Pro Series
Product type	Skin
Product destination	Switch

Complementary	
Device mounting	Flush
Number of gangs	3 gang horizontal/vertical
Fixing mode	Clip-on
Colour	White (XW), Black (BK)
Surface finish	Gloss
Type of packing	Polybag
Pack Size	Set of 20
Ambient air temperature for operation	0...45 °C
Relative humidity	10...95 %
Material	Skin : ABS (acrylonitrile butadiene-styrene) Window : PC (polycarbonate)
Dimensions (HxWxD) mm	116x78x9
Product weight	0.021 kg



Dimensions (mm)



Switch Skins (continued)

P3044C

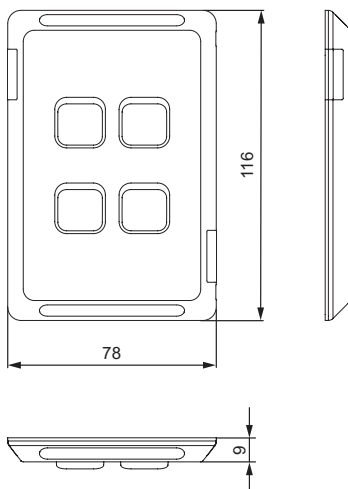
Pro Series - 4 gang skin with rockers

Main	
Range	Clipsal Pro Series
Product type	Skin
Product destination	Switch

Complementary	
Device mounting	Flush
Number of gangs	4 gang horizontal/vertical
Fixing mode	Clip-on
Colour	White (XW), Black (BK)
Surface finish	Gloss
Type of packing	Polybag
Pack Size	Set of 20
Ambient air temperature for operation	0...45 °C
Relative humidity	10...95 %
Material	Skin : ABS (acrylonitrile butadiene-styrene) Window : PC (polycarbonate)
Dimensions (HxWxD) mm	116x78x9
Product weight	0.022 kg



Dimensions (mm)



Switch Skins (continued)

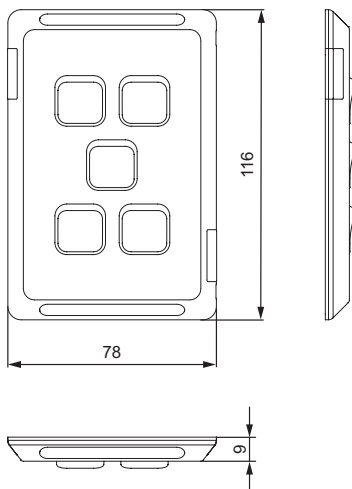
P3045C

Pro Series - 5 gang skin with rockers

Main	
Range	Clipsal Pro Series
Product type	Skin
Product destination	Switch
Complementary	
Device mounting	Flush
Number of gangs	5 gang horizontal/vertical
Fixing mode	Clip-on
Colour	White (XW), Black (BK)
Surface finish	Gloss
Type of packing	Polybag
Pack Size	Set of 20
Ambient air temperature for operation	0...45 °C
Relative humidity	10...95 %
Material	Skin : ABS (acrylonitrile butadiene-styrene) Window : PC (polycarbonate)
Dimensions (HxWxD) mm	116x78x9
Product weight	0.021 kg



Dimensions (mm)



Switch Skins (continued)

P3046C

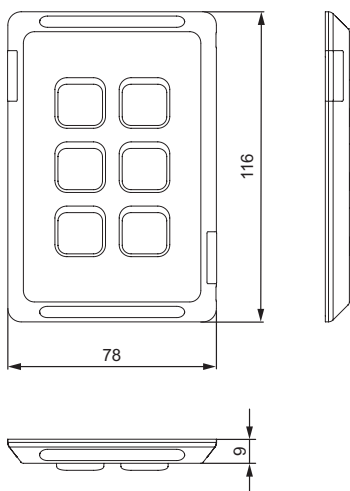
Pro Series - 6 gang skin with rockers

Main	
Range	Clipsal Pro Series
Product type	Skin
Product destination	Switch

Complementary	
Device mounting	Flush
Number of gangs	6 gang horizontal/vertical
Fixing mode	Clip-on
Colour	White (XW), Black (BK)
Surface finish	Gloss
Type of packing	Polybag
Pack Size	Set of 20
Ambient air temperature for operation	0...45 °C
Relative humidity	10...95 %
Material	Skin : ABS (acrylonitrile butadiene-styrene) Window : PC (polycarbonate)
Dimensions (HxWxD) mm	116x78x9
Product weight	0.022 kg



Dimensions (mm)



Cooker Switches

P3041-45

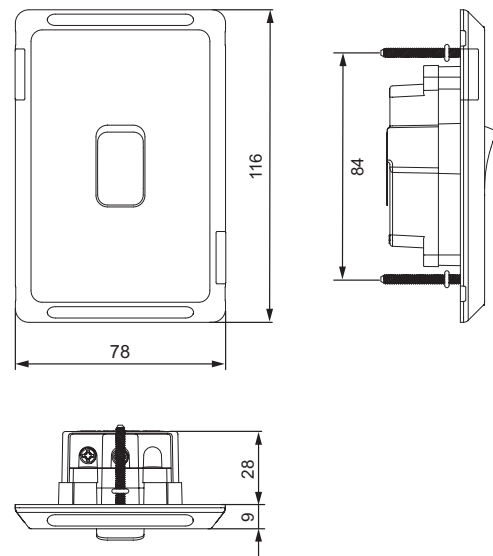
Pro Series - Switch assembly single pole 45 A 250 V

Main	
Range	Clipsal Pro Series
Product type	Switch
Device presentation	Complete switch
Included equipment	Screws, Switch, Grid plate, and Skin
Device application	Cooking appliances
Mounted method	By screws
Colour	White (XW)
Type of packing	Polybag
Pack Size	Set of 5
Electrical Rating	45 A - 250 Vac, 50 Hz



Complementary	
Device mounting	Flush
Switch function	1-way
Number of gangs	1 gang
Number of rocker	1
Actuator	Rocker
Surface finish	Gloss
Surface treatment	Untreated
Ambient air temperature for storage	0...60 °C
Load type	Inductive, Resistive
Ambient air temperature for operation	0...45 °C
Relative humidity	10...95 %
Electrical durability	10,000 operations @ 45A, conforming to AS/NZS 60669
Connections - terminals	4 x screw terminals
Screwdriver shape	Philips (No 2); Square drive No 1 (SQ1)
Cable size capacity	3 x 6 mm ² ; 1 x 16 mm ²
Wire stripping length	10 mm
Material	Grid plate : PC (polycarbonate) Screw cap : PC (polycarbonate) Infill : ABS (acrylonitrile butadiene-styrene) Skin : ABS (acrylonitrile butadiene-styrene) Window : PC (polycarbonate) Housing : PA66 (polyamide)
Dimensions (HxWxD) mm	116x78x28
Product weight	0.05 kg

Dimensions (mm)



Environment	
Product certifications	RCM

Cooker Switches (continued)

P3041D45

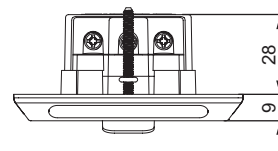
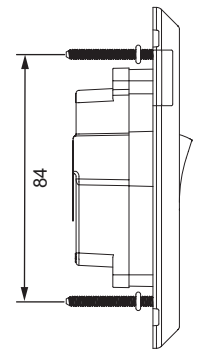
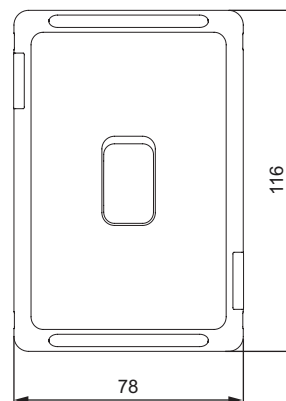
Pro Series - Switch assembly double pole 45 A 250 V

Main	
Range	Clipsal Pro Series
Product type	Switch
Device presentation	Complete switch
Included equipment	Screws, Switch, Grid plate, and Skin
Device application	Cooking appliances
Mounted method	By screws
Colour	White (XW)
Type of packing	Polybag
Pack Size	Set of 5
Electrical Rating	45 A - 250 Vac, 50 Hz



Complementary	
Device mounting	Flush
Switch function	2-pole 1-way
Number of gangs	1 gang
Number of rocker	1
Actuator	Rocker
Surface finish	Gloss
Surface treatment	Untreated
Ambient air temperature for storage	0...60 °C
Load type	Inductive, Resistive
Ambient air temperature for operation	0...45 °C
Relative humidity	10...95 %
Electrical durability	10,000 operations @ 45A, conforming to AS/NZS 60669
Connections - terminals	6 x screw terminals
Screwdriver shape	Philips (No 2); Square drive No 1 (SQ1)
Cable size capacity	3 x 6 mm ² ; 1 x 16 mm ²
Wire stripping length	10 mm
Material	Grid plate : PC (polycarbonate) Screw cap : PC (polycarbonate) Infill : ABS (acrylonitrile butadiene-styrene) Skin : ABS (acrylonitrile butadiene-styrene) Window : PC (polycarbonate) Housing : PA66 (polyamide)
Dimensions (HxWxD) mm	116x78x28
Product weight	0.096 kg

Dimensions (mm)



Environment	
Product certifications	RCM

IP Rated Switches

P3041V44

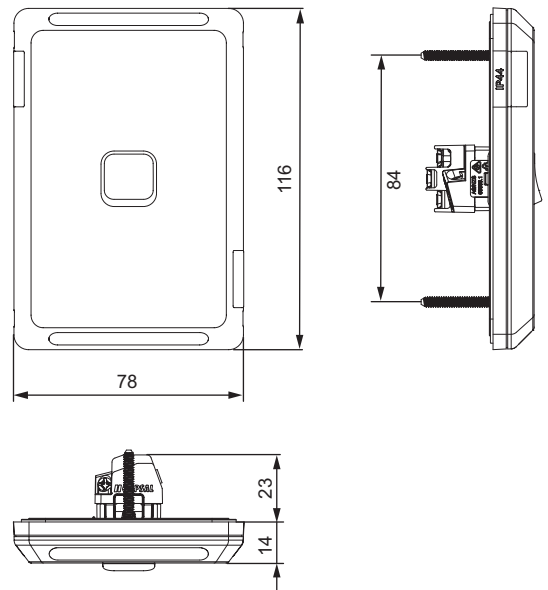
Pro Series - 1 gang vertical wet hands switch assembly IP44
20 A - 16 AX 250 V

Main	
Range	Clipsal Pro Series
Product type	Switch
Device presentation	Complete switch
Included equipment	Screws, Skin, IP44 gridplate, and switch
Device application	Lighting
Mounted method	By screws
Colour	White (XW)
Type of packing	Polybag
Pack Size	Set of 10
Electrical Rating	20 A - 16 AX, 250 Vac 50 Hz



Complementary	
Device mounting	Flush
Switch function	1/2-way
Number of gangs	1 gang
Number of rocker	1
Actuator	Rocker
Surface finish	Gloss
Surface treatment	Untreated
Ambient air temperature for storage	0...60 °C
Load type	Inductive, Light, Fluorescent lamp, and LED
Ambient air temperature for operation	0...45 °C
Relative humidity	10...95 %
Electrical durability	10,000 operations @ 20A, conforming to AS/NZS 60669
Connections - terminals	4 x screw terminals
Screwdriver shape	Philips (No 2); Square drive No 1 (SQ1)
Cable size capacity	4 x 1.5 mm ² ; 3 x 2.5 mm ²
Wire stripping length	10 mm
Material	Grid plate : PC (polycarbonate) Screw cap : PC (polycarbonate) Infill : ABS (acrylonitrile butadiene-styrene) Skin : ABS (acrylonitrile butadiene-styrene) Window : PC (polycarbonate) Housing : PC (polycarbonate); PA66 (polyamide) Locking bar : POM (polyoxymethylene) Gasket : TPE (thermoplastic elastomer) Gasket frame : ABS (acrylonitrile butadiene-styrene)
Dimensions (HxWxD) mm	116x78x23
Product weight	0.105 kg

Dimensions (mm)



Environment	
Product certifications	RCM
IP degree of protection	IP44

IP Rated Switches (continued)

P3042V44

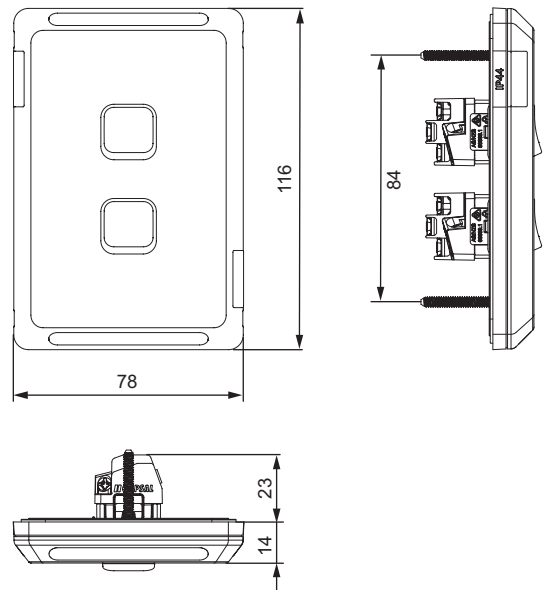
Pro Series - 2 gang vertical wet hands switch assembly IP44
20 A - 16 AX 250 V

Main	
Range	Clipsal Pro Series
Product type	Switch
Device presentation	Complete switch
Included equipment	Screws, Skin, IP44 gridplate, and 2 x switches
Device application	Lighting
Mounted method	By screws
Colour	White (XW)
Type of packing	Polybag
Pack Size	Set of 10
Electrical Rating	20 A - 16 AX, 250 Vac 50 Hz

Complementary	
Device mounting	Flush
Switch function	1/2-way
Number of gangs	2 gang
Number of rocker	2
Actuator	Rocker
Surface finish	Gloss
Surface treatment	Untreated
Ambient air temperature for storage	0...60 °C
Load type	Inductive, Light, Fluorescent lamp, and LED
Ambient air temperature for operation	0...45 °C
Relative humidity	10...95 %
Electrical durability	10,000 operations @ 20A, conforming to AS/NZS 60669
Connections - terminals	4 x screw terminals
Screwdriver shape	Philips (No 2); Square drive No 1 (SQ1)
Cable size capacity	4 x 1.5 mm ² ; 3 x 2.5 mm ²
Wire stripping length	10 mm
Material	Grid plate : PC (polycarbonate) Screw cap : PC (polycarbonate) Infill : ABS (acrylonitrile butadiene-styrene) Skin : ABS (acrylonitrile butadiene-styrene) Window : PC (polycarbonate) Housing : PC (polycarbonate); PA66 (polyamide) Locking bar : POM (polyoxymethylene) Gasket : TPE (thermoplastic elastomer) Gasket frame : ABS (acrylonitrile butadiene-styrene)
Dimensions (HxWxD)	116x78x23
Product weight	0.12 kg



Dimensions (mm)



Environment	
Product certifications	RCM
IP degree of protection	IP44

IP Rated Switches (continued)

P3043V44

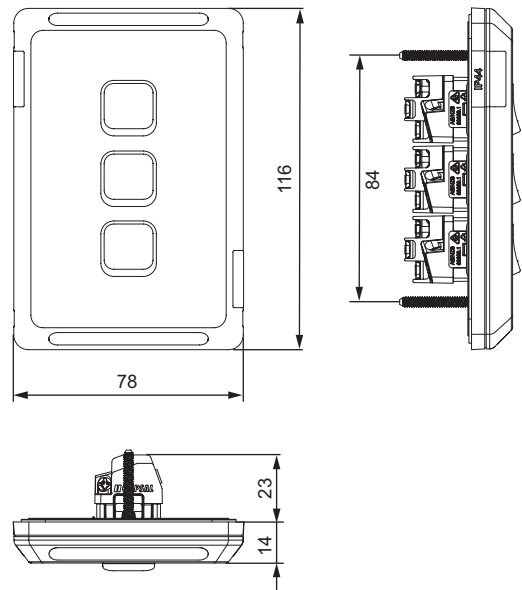
Pro Series - 3 gang vertical wet hands switch assembly IP44
20 A - 16 AX 250 V

Main	
Range	Clipsal Pro Series
Product type	Switch
Device presentation	Complete switch
Included equipment	Screws, Skin, IP44 gridplate, and 3 x switches
Device application	Lighting
Mounted method	By screws
Colour	White (XW)
Type of packing	Polybag
Pack Size	Set of 10
Electrical Rating	20 A - 16 AX, 250 Vac 50 Hz

Complementary	
Device mounting	Flush
Switch function	1/2-way
Number of gangs	3 gang
Number of rocker	3
Actuator	Rocker
Surface finish	Gloss
Surface treatment	Untreated
Ambient air temperature for storage	0...60 °C
Motor M-rating AS3133	M80
Load type	Inductive, Light, Fluorescent lamp, and LED
Ambient air temperature for operation	0...45 °C
Relative humidity	10...95 %
Electrical durability	10,000 operations @ 20A, conforming to AS/NZS 60669
Connections - terminals	4 x screw terminals
Screwdriver shape	Philips (No 2); Square drive No 1 (SQ1)
Cable size capacity	4 x 1.5 mm ² ; 3 x 2.5 mm ²
Wire stripping length	10 mm
Material	Grid plate : PC (polycarbonate) Screw cap : PC (polycarbonate) Infill : ABS (acrylonitrile butadiene-styrene) Skin : ABS (acrylonitrile butadiene-styrene) Window : PC (polycarbonate) Housing : PC (polycarbonate); PA66 (polyamide) Locking bar : POM (polyoxymethylene) Gasket : TPE (thermoplastic elastomer) Gasket frame : ABS (acrylonitrile butadiene-styrene)
Dimensions (HxWxD) mm	116x78x23
Product weight	0.135 kg



Dimensions (mm)



Environment	
Product certifications	RCM
IP degree of protection	IP44

IP Rated Switches (continued)

P3044V44

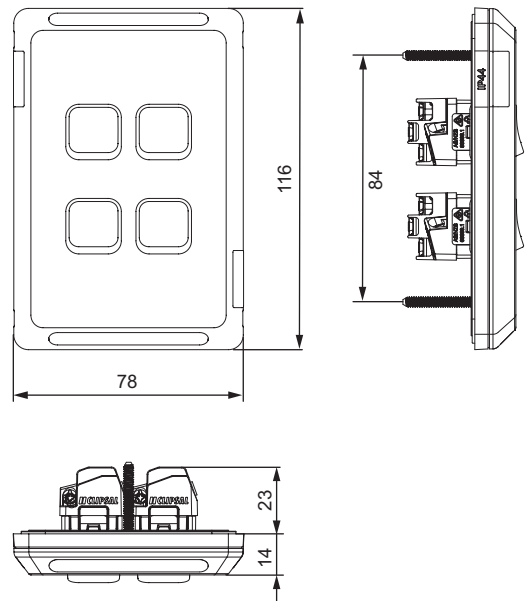
Pro Series - 4 gang vertical wet hands switch assembly IP44
20 A - 16 AX 250 V

Main	
Range	Clipsal Pro Series
Product type	Switch
Device presentation	Complete switch
Included equipment	Screws, Skin, IP44 gridplate, and 4 x switches
Device application	Lighting
Mounted method	By screws
Colour	White (XW)
Type of packing	Polybag
Pack Size	Set of 10
Electrical Rating	20 A - 16 AX, 250 Vac 50 Hz



Complementary	
Device mounting	Flush
Switch function	1/2-way
Number of gangs	4 gang
Number of rocker	4
Actuator	Rocker
Surface finish	Gloss
Surface treatment	Untreated
Ambient air temperature for storage	0...60 °C
Motor M-rating AS3133	M80
Load type	Inductive, Light, Fluorescent lamp, and LED
Ambient air temperature for operation	0...45 °C
Electrical durability	10,000 operations @ 20A, conforming to AS/NZS 60669
Connections - terminals	4 x screw terminals
Screwdriver shape	Philips (No 2); Square drive No 1 (SQ1)
Cable size capacity	4 x 1.5 mm ² ; 3 x 2.5 mm ²
Wire stripping length	10 mm
Material	Grid plate : PC (polycarbonate) Screw cap : PC (polycarbonate) Infill : ABS (acrylonitrile butadiene-styrene) Skin : ABS (acrylonitrile butadiene-styrene) Window : PC (polycarbonate) Housing : PC (polycarbonate); PA66 (polyamide) Locking bar : POM (polyoxymethylene) Gasket : TPE (thermoplastic elastomer) Gasket frame : ABS (acrylonitrile butadiene-styrene)
Dimensions (HxWxD) mm	116x78x23
Product weight	0.135 kg

Dimensions (mm)



Environment	
Product certifications	RCM
IP degree of protection	IP44

Architrave Switches

P3041A

Pro Series - 1 gang architrave switch assembly 20 A - 16 AX, 250 V

Main

Range	Clipsal Pro Series
Product type	Switch
Device presentation	Complete switch
Included equipment	Screws, Switch, Grid plate, and Skin
Device application	Lighting
Mounted method	By screws
Colour	White (XW), Black (BK)
Type of packing	Polybag
Pack Size	Set of 10
Electrical Rating	20 A - 16 AX, 250 Vac 50 Hz

Complementary

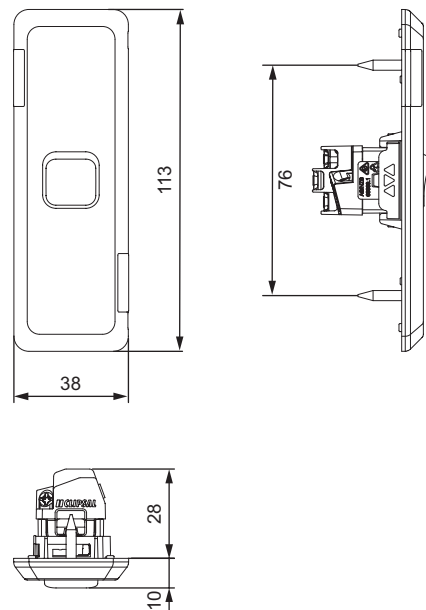
Device mounting	Flush
Switch function	1/2-way
Number of gangs	1 gang
Number of rocker	1
Actuator	Rocker
Surface finish	Gloss
Surface treatment	Untreated
Ambient air temperature for storage	0...60 °C
Motor M-rating AS3133	M80
Load type	Inductive, Light, Fluorescent lamp, and LED
Ambient air temperature for operation	0...45 °C
Relative humidity	10...95 %
Electrical durability	20,000 operations @ 10 A, conforming to AS/NZS 60669
Connections - terminals	4 x screw terminals
Screwdriver shape	Philips (No 2); Square drive No 1 (SQ1)
Cable size capacity	4 x 1.5 mm ² ; 3 x 2.5 mm ²
Wire stripping length	10 mm
Material	Skin : PC (polycarbonate) Skin : ABS (acrylonitrile butadiene-styrene) Grid plate : PC (polycarbonate) Flaps : PP (polypropylene) Housing : PC (polycarbonate); PA66 (polyamide) Locking bar : POM (polyoxymethylene)
Dimensions (HxWxD) mm	113x38x28
Product weight	0.046 kg

Environment

Product certifications	RCM
------------------------	-----



Dimensions (mm)



Architrave Switches (continued)

P3042A

Pro Series - 2 gang architrave switch assembly 20 A - 16 AX, 250 V

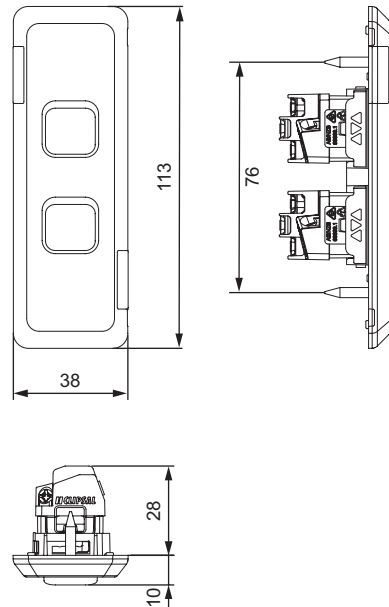
Main	
Range	Clipsal Pro Series
Product type	Switch
Device presentation	Complete switch
Included equipment	Screws, 2 x Switches, Grid plate, and Skin
Device application	Lighting
Mounted method	By screws
Colour	White (XW), Black (BK)
Type of packing	Polybag
Pack Size	Set of 10
Electrical Rating	20 A - 16 AX, 250 Vac 50 Hz

Complementary	
Device mounting	Flush
Switch function	1/2-way
Number of gangs	2 gang
Number of rocker	2
Actuator	Rocker
Surface finish	Gloss
Surface treatment	Untreated
Ambient air temperature for storage	0...60 °C
Motor M-rating AS3133	M80
Load type	Inductive, Light, Fluorescent lamp, and LED
Ambient air temperature for operation	0...45 °C
Relative humidity	10...95 %
Electrical durability	20,000 operations @ 10 A, conforming to AS/NZS 60669
Connections - terminals	4 x screw terminals
Screwdriver shape	Philips (No 2); Square drive No 1 (SQ1)
Cable size capacity	4 x 1.5 mm ² ; 3 x 2.5 mm ²
Wire stripping length	10 mm
Material	Skin : PC (polycarbonate) Skin : ABS (acrylonitrile butadiene-styrene) Grid plate : PC (polycarbonate) Flaps : PP (polypropylene) Housing : PC (polycarbonate); PA66 (polyamide) Locking bar : POM (polyoxymethylene)
Dimensions (HxWxD) mm	113x38x28
Product weight	0.063 kg

Environment	
Product certifications	RCM



Dimensions (mm)



Sockets

P3015

Pro Series - Single switched socket horizontal 10 A 250 V

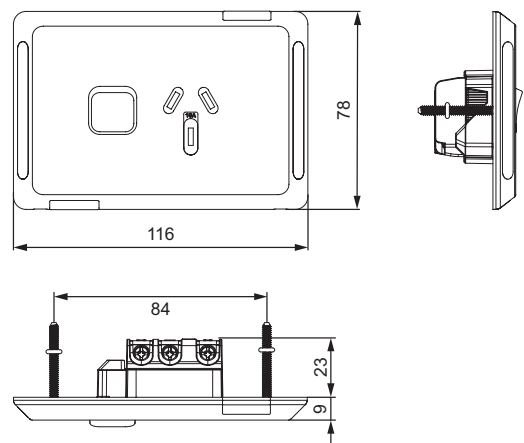
Main	
Range	Clipsal Pro Series
Product type	Switched socket
Device presentation	Complete product
Outlet poles configuration	1P + E with shutter
Included equipment	Screws, Grid plate, and Skin
Mounted method	By screws (horizontal)
Type of packing	Polybag
Pack Size	Set of 10
Electrical Rating	10 A, 250 Vac, 50 Hz

Complementary	
Number of power socket outlets	1
Device mounting	Flush
Outlet standard description	With earth contact
Outlet standard	Australia/New Zealand
Colour	White (XW)
Surface finish	Gloss
Ambient air temperature for operation	0...45 °C
Relative humidity	10...95 %
Electrical durability	12,000 operating cycles to AS/NZS 3133
Mechanical durability	20,000 plugging operating cycles
Connections - terminals	3 x screw terminals
Screwdriver shape	Philips No 2 (PH2); Square drive No 1 (SQ1)
Cable size capacity	4 x 2.5 mm ² ; 3 x 4.0 mm ²
Wire stripping length	16 mm
Material	Grid plate : PC (polycarbonate) Screw cap : PC (polycarbonate) Infill : ABS (acrylonitrile butadiene-styrene) Shutter : POM (polyoxymethylene) Skin : ABS (acrylonitrile butadiene-styrene) Window : PC (polycarbonate)
IK degree of protection	IK08
Dimensions (HxWxD) mm	78x116x23
Product weight	0.094 kg
Standards	AS/NZS 3112

Environment	
Product certifications	RCM



Dimensions (mm)



Sockets (continued)

P3015-15

Pro Series - Single switched socket horizontal 15 A 250 V

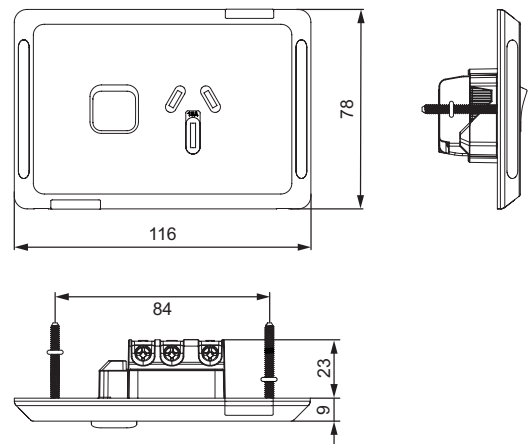
Main	
Range	Clipsal Pro Series
Product type	Switched socket
Device presentation	Complete product
Outlet poles configuration	1P + E with shutter
Included equipment	Screws, Grid plate, and Skin
Mounted method	By screws (horizontal)
Type of packing	Polybag
Pack Size	Set of 10
Electrical Rating	15 A, 250 Vac, 50 Hz

Complementary	
Number of power socket outlets	1
Device mounting	Flush
Outlet standard description	With earth contact
Outlet standard	Australia/New Zealand
Colour	White (XW)
Surface finish	Gloss
Ambient air temperature for operation	0...45 °C
Relative humidity	10...95 %
Electrical durability	10,000 operating cycles to AS/NZS 3133
Mechanical durability	20,000 plugging operating cycles
Connections - terminals	3 x screw terminals
Screwdriver shape	Philips No 2 (PH2); Square drive No 1 (SQ1)
Cable size capacity	4 x 2.5 mm ² ; 3 x 4.0 mm ²
Wire stripping length	16 mm
Material	Grid plate : PC (polycarbonate) Screw cap : PC (polycarbonate) Infill : ABS (acrylonitrile butadiene-styrene) Shutter : POM (polyoxymethylene) Skin : ABS (acrylonitrile butadiene-styrene) Window : PC (polycarbonate)
IK degree of protection	IK08
Dimensions (HxWxD) mm	78x116x23
Product weight	0.094 kg
Standards	AS/NZS 3112

Environment	
Product certifications	RCM



Dimensions (mm)



Sockets (continued)

P3015-20

Pro Series - Single switched socket horizontal 20 A 250 V

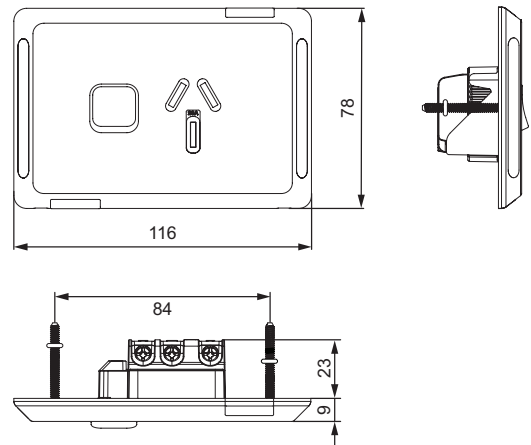
Main	
Range	Clipsal Pro Series
Product type	Switched socket
Device presentation	Complete product
Outlet poles configuration	1P + E with shutter
Included equipment	Screws, Grid plate, and Skin
Mounted method	By screws (horizontal)
Type of packing	Polybag
Pack Size	Set of 10
Electrical Rating	20 A, 250 Vac, 50 Hz

Complementary	
Number of power socket outlets	1
Device mounting	Flush
Outlet standard description	With earth contact
Outlet standard	Australia/New Zealand
Colour	White (XW)
Surface finish	Gloss
Ambient air temperature for operation	0...45 °C
Relative humidity	10...95 %
Electrical durability	9,000 operating cycles to AS/NZS 3133
Mechanical durability	20,000 plugging operating cycles
Connections - terminals	3 x screw terminals
Screwdriver shape	Philips No 2 (PH2); Square drive No 1 (SQ1)
Cable size capacity	4 x 2.5 mm ² ; 3 x 4.0 mm ²
Wire stripping length	16 mm
Material	Grid plate : PC (polycarbonate) Screw cap : PC (polycarbonate) Infill : ABS (acrylonitrile butadiene-styrene) Shutter : POM (polyoxymethylene) Skin : ABS (acrylonitrile butadiene-styrene) Window : PC (polycarbonate)
IK degree of protection	IK08
Dimensions (HxWxD) mm	78x116x23
Product weight	0.094 kg
Standards	AS/NZS 3112

Environment	
Product certifications	RCM



Dimensions (mm)



Sockets (continued)

P3015XA

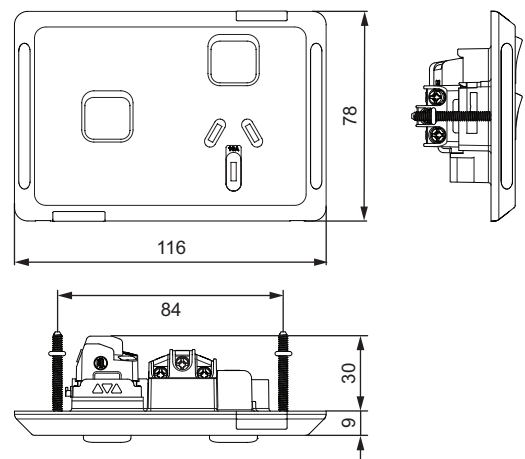
Pro Series - Single switched socket horizontal 10 A 250 V with extra switch

Main	
Range	Clipsal Pro Series
Product type	Switched socket
Device presentation	Complete product
Outlet poles configuration	1P + E with shutter
Mounted method	By screw

Complementary	
Number of power socket outlets	1
Device mounting	Flush
Outlet standard description	With earth contact
Outlet standard	Australia/New Zealand
Switch function	2-way
Mounting mode	Horizontal
Colour	White (XW)
Surface finish	Gloss
Type of packing	Polybag
Pack Size	Set of 10
Sale per indivisible quantity	1
Ambient air temperature for storage	0...60 °C
Rated current	10 A for socket 20 A - 16 AX for switch
[Ue] rated operational voltage	250 Vac 50 Hz
Ambient air temperature for operation	0...45 °C
Relative humidity	10...95 %
Electrical durability	12,000 operating cycles to AS/NZS 3133
Mechanical durability	20,000 plugging operating cycles
Connections - terminals	Screw terminal
Number of terminals	3
Screwdriver shape	Philips No 2 (PH2); Square drive No 1 (SQ1)
Cable size capacity	4 x 2.5 mm ² ; 3 x 4.0 mm ²
Wire stripping length	16 mm
Material	Grid plate : PC (polycarbonate) Screw cap : PC (polycarbonate) Infill : ABS (acrylonitrile butadiene-styrene) Shutter : POM (polyoxymethylene) Skin : ABS (acrylonitrile butadiene-styrene) Window : PC (polycarbonate)
Product weight	0.094 kg
Dimensions (HxWxD) mm	78x116x30
Standards	AS/NZS 3112



Dimensions (mm)



Environment	
Product certifications	RCM

Sockets (continued)

P3025

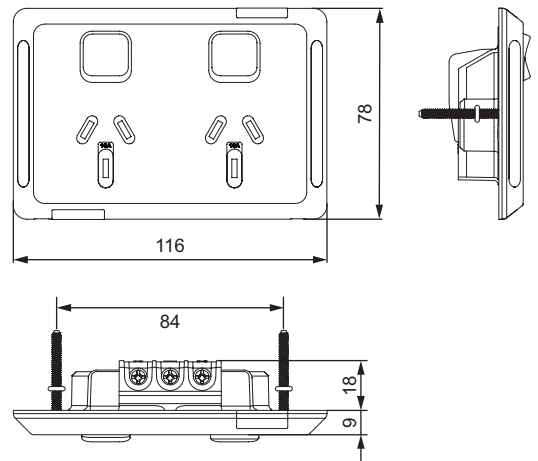
Pro Series - Twin switched socket horizontal 10 A 250 V

Main	
Range	Clipsal Pro Series
Product type	Switched socket
Device presentation	Complete product
Outlet poles configuration	1P + E with shutter
Included equipment	Screws, Grid plate, and Skin
Mounted method	By screws (horizontal)
Type of packing	Polybag
Pack Size	Set of 10
Electrical Rating	10 A, 250 Vac, 50 Hz



Complementary	
Number of power socket outlets	2
Device mounting	Flush
Outlet standard description	With earth contact
Outlet standard	Australia/New Zealand
Colour	White (XW)
Surface finish	Gloss
Ambient air temperature for operation	0...45 °C
Relative humidity	10...95 %
Electrical durability	12,000 operating cycles to AS/NZS 3133
Mechanical durability	20,000 plugging operating cycles
Connections - terminals	3 x screw terminals
Screwdriver shape	Philips No 2 (PH2); Square drive No 1 (SQ1)
Cable size capacity	4 x 2.5 mm ² ; 3 x 4.0 mm ²
Wire stripping length	16 mm
Material	Grid plate : PC (polycarbonate) Screw cap : PC (polycarbonate) Infill : ABS (acrylonitrile butadiene-styrene) Shutter : POM (polyoxymethylene) Skin : ABS (acrylonitrile butadiene-styrene) Window : PC (polycarbonate)
IK degree of protection	IK08
Dimensions (HxWxD) mm	78x116x18
Product weight	0.104 kg
Standards	AS/NZS 3112

Dimensions (mm)



Environment	
Product certifications	RCM

Sockets (continued)

P3025-15

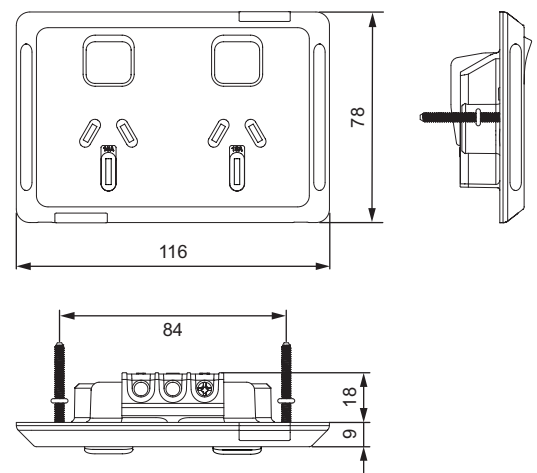
Pro Series - Twin switched socket horizontal 15 A 250 V

Main	
Range	Clipsal Pro Series
Product type	Switched socket
Device presentation	Complete product
Outlet poles configuration	2P + E with shutter
Type of packing	Polybag
Pack Size	Set of 10
Electrical Rating	15 A, 250 Vac, 50 Hz

Complementary	
Number of power socket outlets	2
Device mounting	Flush
Number of rocker	2
Outlet standard description	With earth contact
Outlet standard	Australia/New Zealand
Mounted method	By screw
Installation direction	Horizontal
Colour	White (XW)
Surface finish	Gloss
Ambient air temperature for operation	0...45 °C
Relative humidity	10...95 %
Electrical durability	10,000 operating cycles to AS/NZS 3133
Mechanical durability	20,000 plugging operating cycles
Connections - terminals	3 x screw terminals
Screwdriver shape	Philips No 2 (PH2); Square drive No 1 (SQ1)
Cable size capacity	4 x 2.5 mm ² ; 3 x 4.0 mm ²
Wire stripping length	16 mm
Material	Grid plate : PC (polycarbonate) Screw cap : PC (polycarbonate) Infill : ABS (acrylonitrile butadiene-styrene) Shutter : POM (polyoxymethylene) Skin : ABS (acrylonitrile butadiene-styrene) Window : PC (polycarbonate)
IK degree of protection	IK08
Dimensions (HxWxD) mm	78x116x18
Product weight	0.094 kg
Standards	AS/NZS 3112



Dimensions (mm)



Environment	
Product certifications	RCM

Sockets (continued)

P3025XA

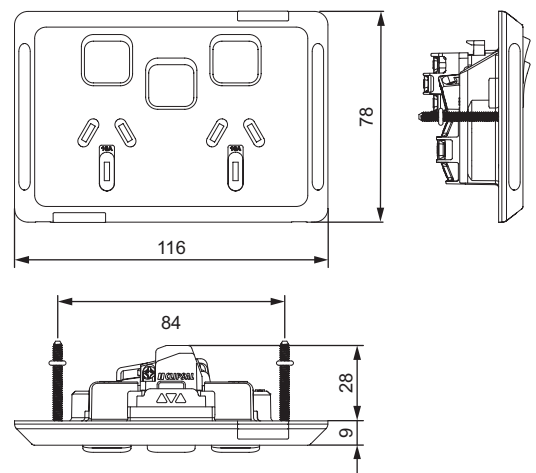
Pro Series - Twin switched socket horizontal 10 A 250 V with extra switch

Main	
Range	Clipsal Pro Series
Product type	Switched socket
Device presentation	Complete product
Outlet poles configuration	1P + E with shutter
Mounted method	By screws (horizontal)
Type of packing	Polybag
Pack Size	Set of 10



Complementary	
Socket number	2
Device mounting	Flush
Outlet standard description	With earth contact
Outlet standard	Australia/New Zealand
Switch function	2-way
Colour	White (XW)
Surface finish	Gloss
Ambient air temperature for storage	0...60 °C
Rated current	10 A for socket 20 A - 16 AX for switch
[Ue] rated operational voltage	250 Vac 50 Hz
Ambient air temperature for operation	0...45 °C
Relative humidity	10...95 %
Electrical durability	12,000 operating cycles to AS/NZS 3133
Mechanical durability	20,000 plugging operating cycles
Connections - terminals	Screw terminal
Number of terminals	3
Screwdriver shape	Philips No 2 (PH2); Square drive No 1 (SQ1)
Cable size capacity	4 x 2.5 mm ² ; 3 x 4.0 mm ²
Wire stripping length	16 mm
Material	Grid plate : PC (polycarbonate) Screw cap : PC (polycarbonate) Infill : ABS (acrylonitrile butadiene-styrene) Shutter : POM (polyoxymethylene) Skin : ABS (acrylonitrile butadiene-styrene) Window : PC (polycarbonate)
Dimensions (HxWxD) mm	78x116x28
Product weight	0.0116 kg
Standards	AS/NZS 3112

Dimensions (mm)



Environment	
Product certifications	RCM

Sockets (continued)

P3015-4

Pro Series - Quad switched socket horizontal 10 A 250 V

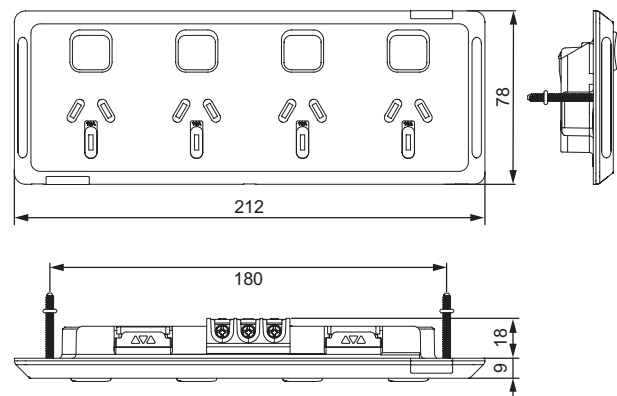
Main	
Range	Clipsal Pro Series
Product type	Switched socket
Device presentation	Complete product
Outlet poles configuration	1P + E with shutter
Included equipment	Screws, Grid plate, and Skin
Mounted method	By screws (horizontal)
Type of packing	Polybag
Pack Size	Set of 5
Electrical Rating	10 A, 250 Vac, 50 Hz

Complementary	
Number of power socket outlets	4
Device mounting	Flush
Outlet standard description	With earth contact
Outlet standard	Australia/New Zealand
Colour	White (XW)
Surface finish	Gloss
Ambient air temperature for operation	0...45 °C
Relative humidity	10...95 %
Electrical durability	12,000 operating cycles to AS/NZS 3133
Mechanical durability	20,000 plugging operating cycles
Connections - terminals	3 x screw terminals
Screwdriver shape	Philips No 2 (PH2); Square drive No 1 (SQ1)
Cable size capacity	4 x 2.5 mm ² ; 3 x 4.0 mm ²
Wire stripping length	16 mm
Material	Grid plate : PC (polycarbonate) Screw cap : PC (polycarbonate) Infill : ABS (acrylonitrile butadiene-styrene) Shutter : POM (polyoxymethylene) Skin : ABS (acrylonitrile butadiene-styrene) Window : PC (polycarbonate)
IK degree of protection	IK08
Dimensions (HxWxD) mm	78x212x18
Product weight	0.156 kg
Standards	AS/NZS 3112

Environment	
Product certifications	RCM



Dimensions (mm)



Sockets (continued)

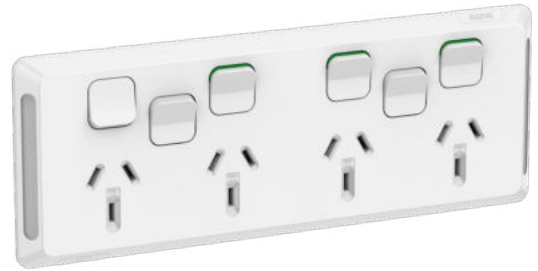
P3015-4XXUA

Pro Series - Quad switched socket horizontal 10 A 250 V with 2 extra switch apertures (less mechanisms)

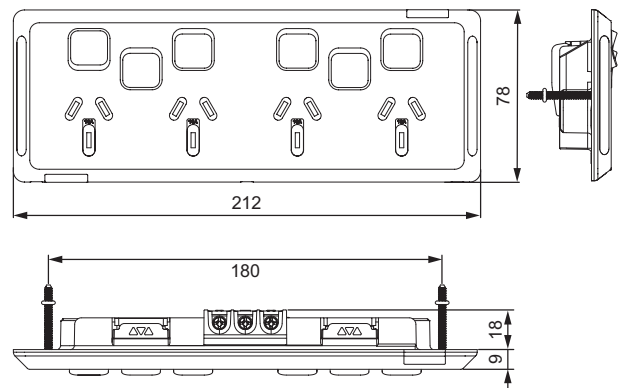
Main	
Range	Clipsal Pro Series
Product type	Switched socket
Device presentation	Complete product
Outlet poles configuration	1P + E with shutter
Included equipment	Screws, Grid plate, and Skin
Mounted method	By screws (horizontal)
Type of packing	Polybag
Pack Size	Set of 5
Electrical Rating	10 A, 250 Vac, 50 Hz

Complementary	
Number of power socket outlets	4
Device mounting	Flush
Outlet standard description	With earth contact
Outlet standard	Australia/New Zealand
Colour	White (XW)
Surface finish	Gloss
Ambient air temperature for operation	0...45 °C
Relative humidity	10...95 %
Electrical durability	12,000 operating cycles to AS/NZS 3133
Mechanical durability	20,000 plugging operating cycles
Connections - terminals	3 x screw terminals
Screwdriver shape	Philips No 2 (PH2); Square drive No 1 (SQ1)
Cable size capacity	4 x 2.5 mm ² ; 3 x 4.0 mm ²
Wire stripping length	16 mm
Material	Grid plate : PC (polycarbonate) Screw cap : PC (polycarbonate) Infill : ABS (acrylonitrile butadiene-styrene) Shutter : POM (polyoxymethylene) Skin : ABS (acrylonitrile butadiene-styrene) Window : PC (polycarbonate)
Dimensions (HxWxD) mm	78x212x18
Product weight	0.156 kg
Standards	AS/NZS 3112

Environment	
Product certifications	RCM



Dimensions (mm)



Sockets (continued)

P3015V

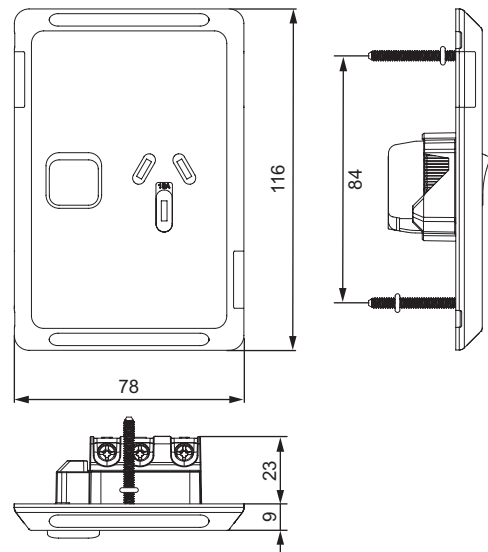
Pro Series - Single switched socket vertical 10 A 250 V

Main	
Range	Clipsal Pro Series
Product type	Switched socket
Device presentation	Complete product
Outlet poles configuration	1P + E with shutter
Included equipment	Screws, Grid plate, Skin
Mounted method	By screws (vertical)
Type of packing	Polybag
Pack Size	Set of 10
Electrical Rating	10 A, 250 Vac, 50 Hz



Complementary	
Number of power socket outlets	1
Device mounting	Flush
Outlet standard description	With earth contact
Outlet standard	Australia/New Zealand
Colour	White (XW)
Surface finish	Gloss
Ambient air temperature for operation	0...45 °C
Relative humidity	10...95 %
Electrical durability	12,000 operating cycles to AS/NZS 3133
Mechanical durability	20,000 plugging operating cycles
Connections - terminals	3 x screw terminals
Screwdriver shape	Philips No 2 (PH2); Square drive No 1 (SQ1)
Cable size capacity	4 x 2.5 mm ² ; 3 x 4.0 mm ²
Wire stripping length	16 mm
Material	Grid plate : PC (polycarbonate) Screw cap : PC (polycarbonate) Infill : ABS (acrylonitrile butadiene-styrene) Shutter : POM (polyoxymethylene) Skin : ABS (acrylonitrile butadiene-styrene) Window : PC (polycarbonate)
IK degree of protection	IK08
Dimensions (HxWxD) mm	116x78x23
Product weight	0.096 kg
Standards	AS/NZS 3112

Dimensions (mm)



Environment	
Product certifications	RCM

Sockets (continued)

P3015V15

Pro Series - Single switched socket vertical 15 A 250 V

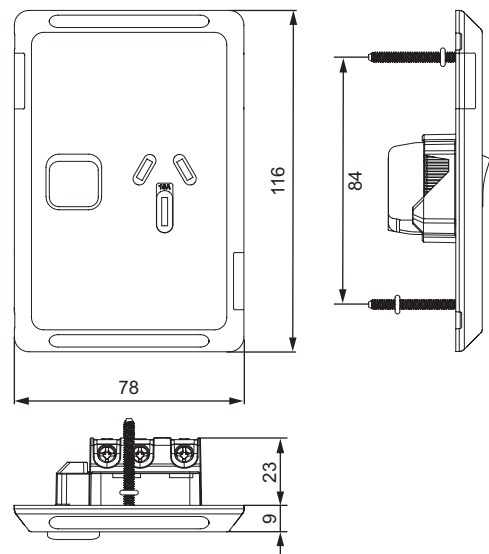
Main	
Range	Clipsal Pro Series
Product type	Switched socket
Device presentation	Complete product
Outlet poles configuration	1P + E with shutter
Included equipment	Screws, Grid plate, and Skin
Mounted method	By screws (vertical)
Type of packing	Polybag
Pack size	Set of 10
Electrical rating	15 A, 250 Vac, 50 Hz

Complementary	
Number of power socket outlets	1
Device mounting	Flush
Outlet standard description	With earth contact
Outlet standard	Australia/New Zealand
Colour	White (XW)
Surface finish	Gloss
Ambient air temperature for operation	0...45 °C
Relative humidity	10...95 %
Electrical durability	10,000 operating cycles to AS/NZS 3133
Mechanical durability	20,000 plugging operating cycles
Connections - terminals	3 x screw terminals
Screwdriver shape	Philips No 2 (PH2); Square drive No 1 (SQ1)
Cable size capacity	4 x 2.5 mm ² ; 3 x 4.0 mm ²
Wire stripping length	16 mm
Material	Grid plate : PC (polycarbonate) Screw cap : PC (polycarbonate) Infill : ABS (acrylonitrile butadiene-styrene) Shutter : POM (polyoxymethylene) Skin : ABS (acrylonitrile butadiene-styrene) Window : PC (polycarbonate)
IK degree of protection	IK08
Dimensions (HxWxD) mm	116x78x23
Product weight	0.094 kg
Standards	AS/NZS 3112

Environment	
Product certifications	RCM



Dimensions (mm)



Sockets (continued)

P3025V

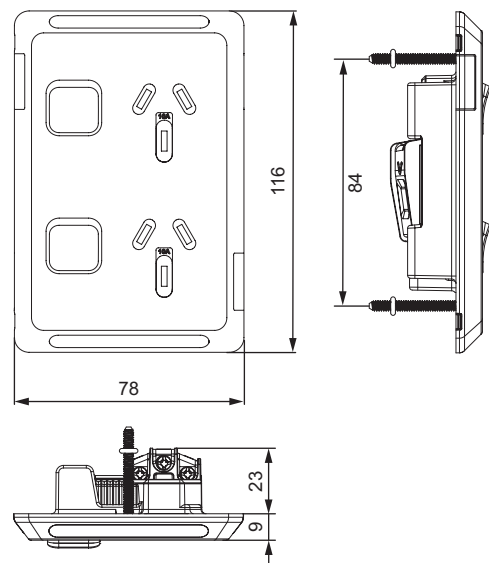
Pro Series - Twin switched socket vertical 10 A 250 V

Main	
Range	Clipsal Pro Series
Product type	Switched Socket
Device presentation	Complete product
Outlet poles configuration	1P + E with shutter
Included equipment	Screws, Grid plate, Skin
Mounted method	By screws (vertical)
Type of packing	Polybag
Pack Size	Set of 10
Electrical Rating	10 A, 250 Vac, 50 Hz



Complementary	
Number of power socket outlets	2
Device mounting	Flush
Outlet standard description	With earth contact
Outlet standard	Australia/New Zealand
Colour	White (XW)
Surface finish	Gloss
Ambient air temperature for operation	0...45 °C
Relative humidity	10...95 %
Electrical durability	12,000 operating cycles to AS/NZS 3133
Mechanical durability	20,000 plugging operating cycles
Connections - terminals	3 x screw terminals
Screwdriver shape	Philips No 2 (PH2); Square drive No 1 (SQ1)
Cable size capacity	4 x 2.5 mm ² ; 3 x 4.0 mm ²
Wire stripping length	16 mm
Material	Grid plate : PC (polycarbonate) Screw cap : PC (polycarbonate) Infill : ABS (acrylonitrile butadiene-styrene) Shutter : POM (polyoxymethylene) Skin : ABS (acrylonitrile butadiene-styrene) Window : PC (polycarbonate)
IK degree of protection	IK08
Dimensions (HxWxD) mm	116x78x23
Product weight	0.102 kg
Standards	AS/NZS 3112

Dimensions (mm)



Environment	
Product certifications	RCM

Sockets (continued)

P3025VXA

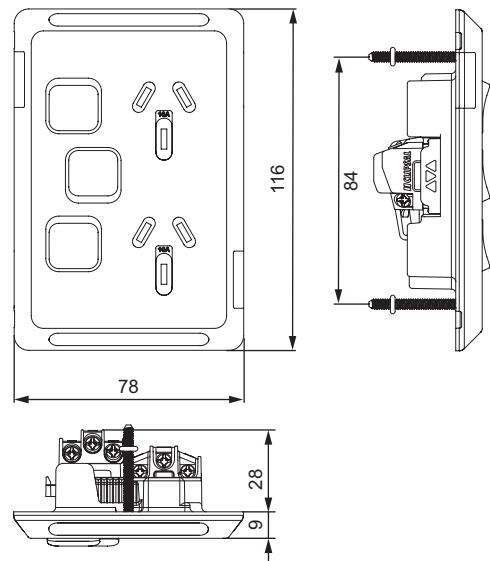
Pro Series - Twin switched socket vertical 10 A 250 V with extra switch

Main	
Range	Clipsal Pro Series
Product or component type	Switched socket
Device presentation	Complete product
Outlet poles configuration	1P + E with shutter
Mounted method	By screws (vertical)
Type of packing	Polybag
Pack Size	Set of 10

Complementary	
Socket number	2
Device mounting	Flush
Outlet standard description	With earth contact
Outlet standard	Australia/New Zealand
Switch function	2-way
Colour	White (XW)
Surface finish	Gloss
Ambient air temperature for storage	0...60 °C
Rated current	10 A for socket 16 AX for switch
[Ue] rated operational voltage	250 Vac 50 Hz
Ambient air temperature for operation	0...45 °C
Relative humidity	10...95 %
Service life in cycles	12000 cycles
Electrical durability	12,000 operating cycles to AS/NZS 3133
Mechanical durability	20,000 plugging operating cycles
Connections - terminals	Screw terminal
Number of terminals	3
Screwdriver shape	Philips No 2 (PH2); Square drive No 1 (SQ1)
Cable size capacity	4 x 2.5 mm ² ; 3 x 4.0 mm ²
Wire stripping length	16 mm
Material	Grid plate : PC (polycarbonate) Screw cap : PC (polycarbonate) Infill : ABS (acrylonitrile butadiene-styrene) Shutter : POM (polyoxymethylene) Skin : ABS (acrylonitrile butadiene-styrene) Window : PC (polycarbonate)
Dimensions (HxWxD) mm	116x78x28
Product weight	0.094 kg
Standards	AS/NZS 3112



Dimensions (mm)



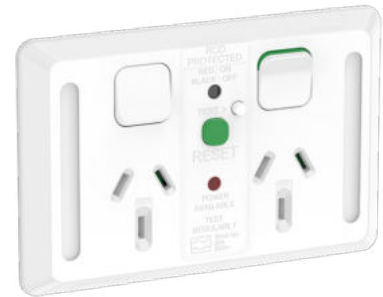
Environment	
Product certifications	RCM

Sockets (continued)

P3025RCD30

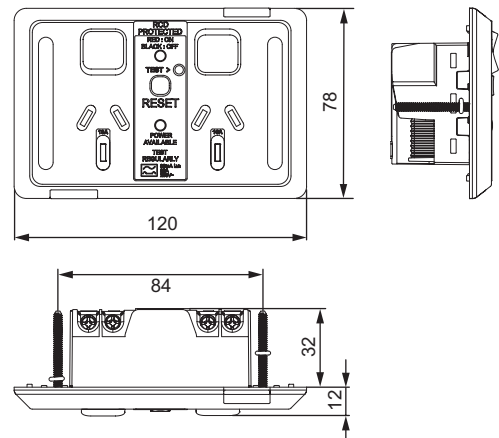
Pro Series - Twin switched socket horizontal 10 A 250 V, 30 mA RCD

Main	
Range	Clipsal Pro Series
Product type	Switched socket
Device presentation	Grid plate with skin
Device composition	Residual current device (RCD) 30 mA
Outlet poles configuration	2P + E with shutter
Mounted method	By screws
Type of packing	Polybag
Pack size	Set of 5



Complementary	
Rated current	10 A, 250 Vac, 50 Hz
Colour	White (XW)
Surface finish	Gloss
Outlet Standard	Australia/New-Zealand
Ambient air temperature for operation	0...45 °C
Relative humidity	10...95 %
Cable size capacity	4 x 2.5 mm ² ; 3 x 4.0 mm ²
Material	Grid plate : PC (polycarbonate) Screw cap : PC (polycarbonate) Infill : ABS (acrylonitrile butadiene-styrene) Shutter : POM (polyoxymethylene) Skin : ABS (acrylonitrile butadiene-styrene) Window : PC (polycarbonate)
Dimensions (HxWxD) mm	78x120x32
Product weight	0.156 kg
Standards	AS/NZS 3112

Dimensions (mm)



Environment	
Product certifications	RCM

Sockets (continued)

P3025RCD10

Pro Series - Socket Sw Horizontal twin 10 A, 250 V, 10 mA RCD

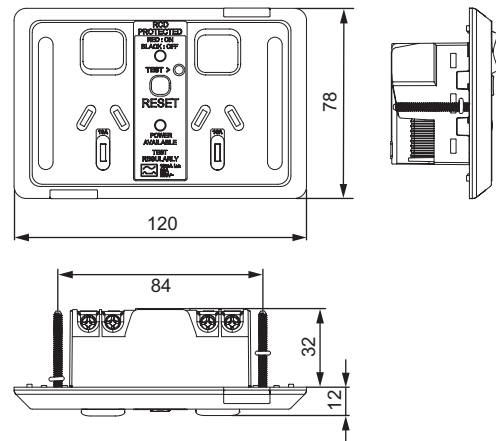
Main	
Range	Clipsal Pro Series
Product type	Switched socket
Device presentation	Grid plate with skin
Outlet poles configuration	2P + E with shutter
Device mounting	By screws
Type of packing	Polybag
Pack Size	Set of 5

Complementary	
Rated current	10 A, 250 Vac, 50 Hz
Outlet standard description	With earth contact
Outlet standard	Australia/New Zealand
Colour	White (XW)
Surface finish	Gloss
Ambient air temperature for operation	0...45 °C
Relative humidity	10...95 %
Material	Grid plate : PC (polycarbonate) Screw cap : PC (polycarbonate) Infill : ABS (acrylonitrile butadiene-styrene) Shutter : POM (polyoxymethylene) Skin : ABS (acrylonitrile butadiene-styrene) Window : PC (polycarbonate)
Dimensions (HxWxD) mm	78x120x32
Product weight	0.157 kg
Standards	AS/NZS 3112

Environment	
Product certifications	RCM



Dimensions (mm)



Sockets (continued)

P3025USB2

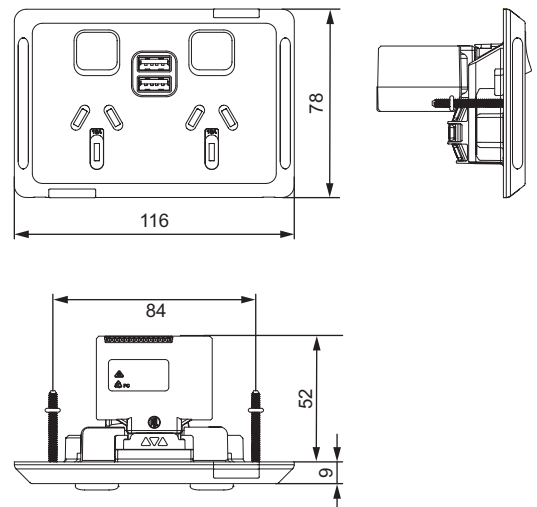
Pro Series - Twin switched socket 10 A 250 V with twin 2.1 A USB charger module

Main	
Range	Clipsal Pro Series
Product type	USB charger + socket
Device presentation	Complete product
Outlet poles configuration	1P + E with shutter
Mounted method	By screw
Type of packing	Polybag
Pack Size	Set of 10

Complementary	
Socket number	2
Device mounting	Flush
Provided equipment	USB charger
Outlet standard description	With earth contact
Outlet standard	Australia/New Zealand
Mounting mode	Horizontal
Colour	White (XW)
Surface finish	Gloss
Ambient air temperature for storage	0...60 °C
Rated current	10 A for socket
[Ue] rated operational voltage	250 Vac 50 Hz
Ambient air temperature for operation	0...45 °C
Relative humidity	10...95 %
Electrical durability	12,000 operating cycles to AS/NZS 3133
Mechanical durability	20,000 plugging operating cycles
Connections - terminals	Screw terminal
Number of terminals	3
Screwdriver shape	Philips No 2 (PH2); Square drive No 1 (SQ1)
Cable size capacity	4 x 2.5 mm ² ; 3 x 4.0 mm ²
Wire stripping length	16 mm
Material	Grid plate : PC (polycarbonate) Screw cap : PC (polycarbonate) Infill : ABS (acrylonitrile butadiene-styrene) Shutter : POM (polyoxymethylene) Skin : ABS (acrylonitrile butadiene-styrene) Window : PC (polycarbonate)
Dimensions (HxWxD) mm	78x116x52
Product weight	0.155 kg
Standards	AS/NZS 3112



Dimensions (mm)



Environment	
Product certifications	RCM

Sockets (continued)

P3025USBAC

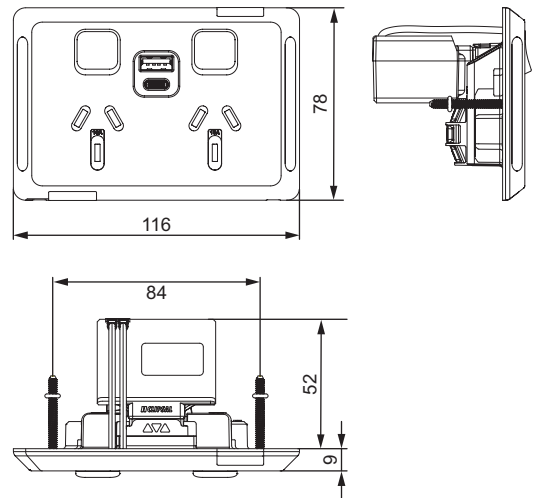
Pro Series - Twin switched socket 10 A 250 V with USB Type A (2.4 A) + Type C (3.0 A) charger module

Main	
Range	Clipsal Pro Series
Product type	USB charger + socket
Device presentation	Complete product
Outlet poles configuration	1P + E with shutter
Mounted method	By screw
Type of packing	Polybag
Pack Size	Set of 10

Complementary	
Socket number	2
Device mounting	Flush
Provided equipment	USB charger
Outlet standard description	With earth contact
Outlet standard	Australia/New Zealand
Mounting mode	Horizontal
Colour	White (XW)
Surface finish	Gloss
Ambient air temperature for storage	0...60 °C
Rated current	10 A for socket
[Ue] rated operational voltage	250 Vac 50 Hz
Ambient air temperature for operation	0...45 °C
Relative humidity	10...95 %
Electrical durability	12,000 operating cycles to AS/NZS 3133
Mechanical durability	20,000 plugging operating cycles
Connections - terminals	Screw terminal
Number of terminals	3
Screwdriver shape	Philips No 2 (PH2); Square drive No 1 (SQ1)
Cable size capacity	4 x 2.5 mm ² ; 3 x 4.0 mm ²
Wire stripping length	16 mm
Material	Grid plate : PC (polycarbonate) Screw cap : PC (polycarbonate) Infill : ABS (acrylonitrile butadiene-styrene) Shutter : POM (polyoxymethylene) Skin : ABS (acrylonitrile butadiene-styrene) Window : PC (polycarbonate)
Dimensions (HxWxD) mm	78x116x52
Product weight	0.171 kg
Standards	AS/NZS 3112



Dimensions (mm)



Environment	
Product certifications	RCM

Sockets (continued)

P3043HUSB

Pro Series - USB Charging station 3 gang 2.1 A per port, 4.5 A total 250 V

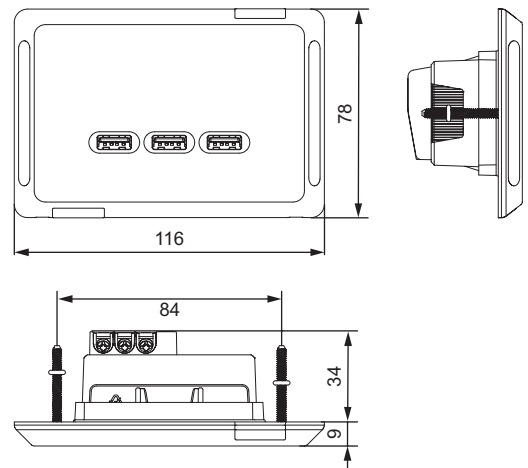
Main	
Range	Clipsal Pro Series
Product type	USB charger
[Ue] rated operational voltage	220/240 Vac 50 Hz
Integrated connection type	3 x USB 2.0 port 5 Vdc, Maximum load current: 2.1 A
Output current	4.5 A

Complementary	
Device mounting	Flush
Device presentation	Assembly
Colour	White
Surface finish	Gloss
Mounted method	By screws
Type of packing	Polybag
Ambient air temperature for operation	0...40 °C
Ambient air temperature for storage	-5...50 °C
Relative humidity	15...95 %
Protection type	Short time short-circuit protection
Number of terminals	3 screw terminal
Screwdriver shape	Philips No 2 (PH2); Square drive No 1 (SQ1)
Cable size capacity	4 x 2.5 mm ²
Wire stripping length	16 mm
Dimensions (HxWxD) mm	78x116x34
Product weight	0.099 kg

Environment	
Product certifications	RCM
Electrical insulation class	Class II
IP degree of protection	IP21



Dimensions (mm)



Sockets (continued)

P3025L

Pro Series - Twin switched socket horizontal round earth pin
10 A 250 V

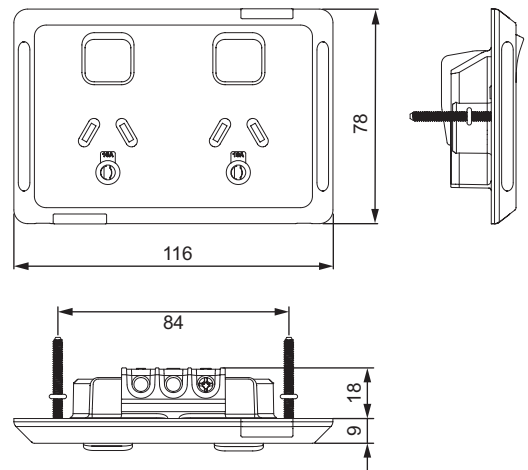
Main	
Range	Clipsal Pro Series
Product type	Switched socket
Device presentation	Complete product
Outlet poles configuration	1P + E with shutter
Included equipment	Screws, Grid plate, and Skin
Mounted method	By screws (horizontal)
Type of packing	Polybag
Pack Size	Set of 10
Electrical Rating	10 A, 250 Vac, 50 Hz

Complementary	
Number of power socket outlets	2
Device mounting	Flush
Outlet standard description	With earth contact
Outlet standard	Australia/New Zealand
Colour	White (XW)
Surface finish	Gloss
Ambient air temperature for operation	0...40 °C
Relative humidity	10...95 %
Electrical durability	12,000 operating cycles to AS/NZS 3133
Mechanical durability	20,000 plugging operating cycles
Connections - terminals	3 x screw terminals
Screwdriver shape	Philips No 2 (PH2); Square drive No 1 (SQ1)
Cable size capacity	4 x 2.5 mm ² ; 3 x 4.0 mm ²
Wire stripping length	16 mm
Material	Grid plate : PC (polycarbonate) Screw cap : PC (polycarbonate) Infill : ABS (acrylonitrile butadiene-styrene) Shutter : POM (polyoxymethylene) Skin : ABS (acrylonitrile butadiene-styrene) Window : PC (polycarbonate)
IK degree of protection	IK08
Dimensions (HxWxD) mm	78x116x18
Product weight	0.105 kg
Standards	AS/NZS 3112

Environment	
Product certifications	RCM



Dimensions (mm)



Sockets (continued)

P3015D

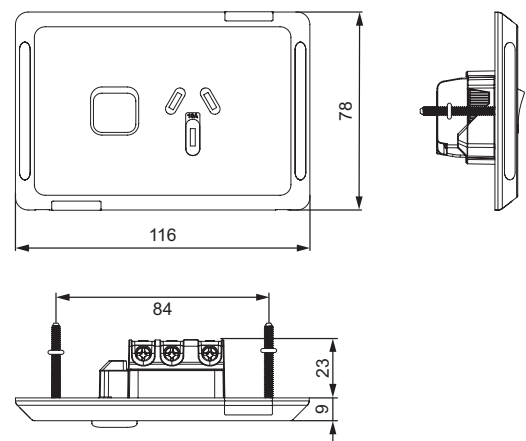
Pro Series – Single switched socket horizontal 10 A 250 V double pole

Main	
Range	Clipsal Pro Series
Product type	Switched socket
Device presentation	Complete product
Outlet poles configuration	2P + E with shutter
Included equipment	Screws, Grid plate, and Skin
Mounted method	By screws (horizontal)
Type of packing	Polybag
Pack size	Set of 10
Electrical rating	10 A, 250 Vac, 50 Hz



Complementary	
Number of power socket outlets	1
Device mounting	Flush
Outlet standard description	With earth contact
Outlet standard	Australia/New Zealand
Colour	White (XW)
Surface finish	Gloss
Ambient air temperature for operation	0...45 °C
Relative humidity	10...95 %
Electrical durability	12,000 operating cycles to AS/NZS 3133
Mechanical durability	20,000 plugging operating cycles
Connections - terminals	3 x screw terminals
Screwdriver shape	Philips No 2 (PH2); Square drive No 1 (SQ1)
Cable size capacity	4 x 2.5 mm ² ; 3 x 4.0 mm ²
Wire stripping length	16 mm
Material	Grid plate : PC (polycarbonate) Screw cap : PC (polycarbonate) Infill : ABS (acrylonitrile butadiene-styrene) Shutter : POM (polyoxymethylene) Skin : ABS (acrylonitrile butadiene-styrene) Window : PC (polycarbonate)
Dimensions (HxWxD) mm	78x116x23
Product weight	0.098 kg
Standards	AS/NZS 3112

Dimensions (mm)



Environment	
Product certifications	RCM

Sockets (continued)

P3015D15

Pro Series - Single switched socket horizontal 15 A 250 V double pole

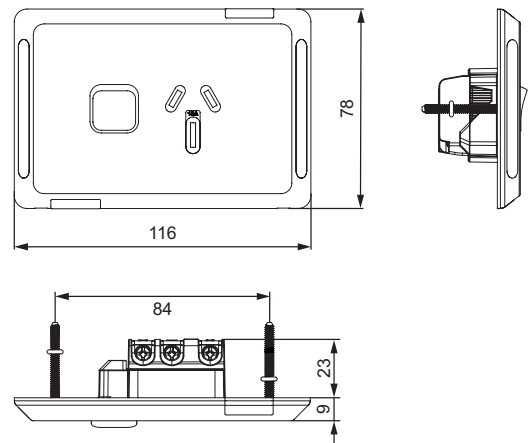
Main	
Range	Clipsal Pro Series
Product type	Switched socket
Device presentation	Complete product
Outlet poles configuration	2P + E with shutter
Included equipment	Screws, Grid plate, and Skin
Mounted method	By screws (horizontal)
Type of packing	Polybag
Pack size	Set of 10
Electrical rating	15 A, 250 Vac, 50 Hz

Complementary	
Number of power socket outlets	1
Device mounting	Flush
Outlet standard description	With earth contact
Outlet standard	Australia/New Zealand
Colour	White (XW)
Surface finish	Gloss
Ambient air temperature for operation	0...45 °C
Relative humidity	10...95 %
Electrical durability	10,000 operating cycles to AS/NZS 3133
Mechanical durability	20,000 plugging operating cycles
Connections - terminals	3 x screw terminals
Screwdriver shape	Philips No 2 (PH2); Square drive No 1 (SQ1)
Cable size capacity	4 x 2.5 mm ² ; 3 x 4.0 mm ²
Wire stripping length	16 mm
Material	Grid plate : PC (polycarbonate) Screw cap : PC (polycarbonate) Infill : ABS (acrylonitrile butadiene-styrene) Shutter : POM (polyoxymethylene) Skin : ABS (acrylonitrile butadiene-styrene) Window : PC (polycarbonate)
Dimensions (HxWxD) mm	78x116x23
Product weight	0.098 kg
Standards	AS/NZS 3112

Environment	
Product certifications	RCM



Dimensions (mm)



Sockets (continued)

P3025D

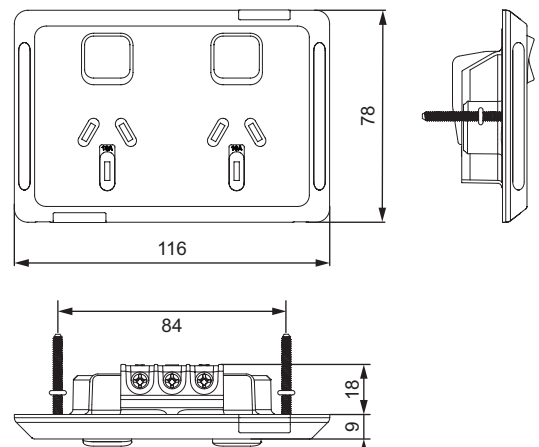
Pro Series - Twin switched socket horizontal 10 A 250 V double pole

Main	
Range	Clipsal Pro Series
Product type	Switched socket
Device presentation	Complete product
Outlet poles configuration	2P + E with shutter
Included equipment	Screws, Grid plate, and Skin
Mounted method	By screws (horizontal)
Type of packing	Polybag
Pack size	Set of 10
Electrical rating	10 A, 250 Vac, 50 Hz



Complementary	
Number of power socket outlets	2
Device mounting	Flush
Outlet standard description	With earth contact
Outlet standard	Australia/New Zealand
Colour	White (XW)
Surface finish	Gloss
Ambient air temperature for operation	0...45 °C
Relative humidity	10...95 %
Electrical durability	12,000 operating cycles to AS/NZS 3133
Mechanical durability	20,000 plugging operating cycles
Connections - terminals	3 x screw terminals
Screwdriver shape	Philips No 2 (PH2); Square drive No 1 (SQ1)
Cable size capacity	4 x 2.5 mm ² ; 3 x 4.0 mm ²
Wire stripping length	16 mm
Material	Grid plate : PC (polycarbonate) Screw cap : PC (polycarbonate) Infill : ABS (acrylonitrile butadiene-styrene) Shutter : POM (polyoxymethylene) Skin : ABS (acrylonitrile butadiene-styrene) Window : PC (polycarbonate)
Dimensions (HxWxD) mm	78x116x18
Product weight	0.098 kg
Standards	AS/NZS 3112

Dimensions (mm)



Environment	
Product certifications	RCM

Sockets (continued)

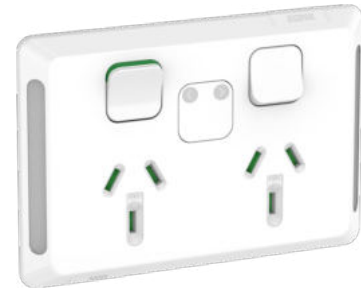
P3025PID

Pro Series - Twin switched socket horizontal 10 A 250 V with power indicator

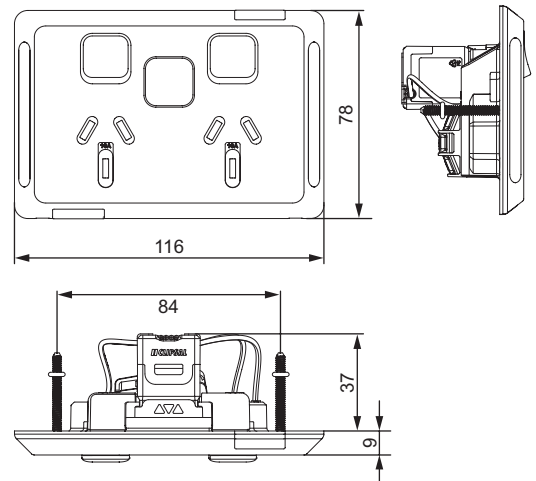
Main	
Range	Clipsal Pro Series
Product type	Switched socket
Device presentation	Complete product
Outlet poles configuration	1P + E with shutter
Included equipment	Screws, Grid plate, and Skin
Mounted method	By screws (horizontal)
Type of packing	Polybag
Pack size	Set of 5
Electrical rating	10 A, 250 Vac, 50 Hz

Complementary	
Number of power socket outlets	2
Device mounting	Flush
Outlet standard description	With earth contact
Outlet standard	Australia/New Zealand
Colour	White (XW)
Surface finish	Gloss
Ambient air temperature for operation	0...45 °C
Relative humidity	10...95 %
Electrical durability	12,000 operating cycles to AS/NZS 3133
Mechanical durability	20,000 plugging operating cycles
Connections - terminals	3 x screw terminals
Screwdriver shape	Philips No 2 (PH2); Square drive No 1 (SQ1)
Cable size capacity	4 x 2.5 mm ² ; 3 x 4.0 mm ²
Wire stripping length	16 mm
Material	Grid plate : PC (polycarbonate) Screw cap : PC (polycarbonate) Infill : ABS (acrylonitrile butadiene-styrene) Shutter : POM (polyoxymethylene) Skin : ABS (acrylonitrile butadiene-styrene) Window : PC (polycarbonate)
Dimensions (HxWxD) mm	78x116x18
Product weight	0.107 kg
Standards	AS/NZS 3112

Environment	
Product certifications	RCM



Dimensions (mm)



Sockets (continued)

P3015T

Pro Series - Single socket with timer 10 A 250 V

Main

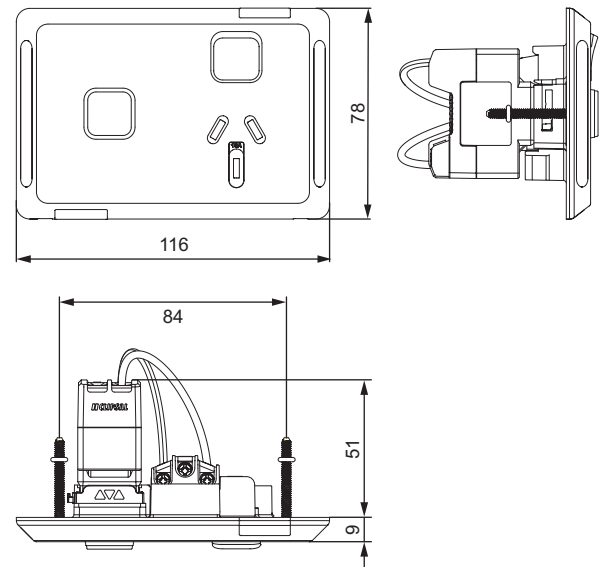
Range	Clipsal Pro Series
Product type	Switched socket
Device presentation	Complete product
Outlet poles configuration	2P + E with shutter
Included equipment	Screws, Grid plate, Skin
Mounted method	By screws (horizontal)
Type of packing	Polybag
Pack size	Set of 10
Electrical rating	10 A, 250 Vac, 50 Hz



Complementary

Number of power socket outlets	1
Device mounting	Flush
Outlet standard description	With earth contact
Outlet standard	Australia/New Zealand
Colour	White (XW)
Surface finish	Gloss
Ambient air temperature for operation	0..45 °C
Relative humidity	10...95 %
Electrical durability	12,000 operating cycles to AS/NZS 3133
Mechanical durability	20,000 plugging operating cycles
Connections - terminals	3 x screw terminals
Screwdriver shape	Philips No 2 (PH2); Square drive No 1 (SQ1)
Cable size capacity	4 x 2.5 mm ² ; 3 x 4.0 mm ²
Wire stripping length	16 mm
Material	Grid plate : PC (polycarbonate) Screw cap : PC (polycarbonate) Infill : ABS (acrylonitrile butadiene-styrene) Shutter : POM (polyoxymethylene) Skin : ABS (acrylonitrile butadiene-styrene) Window : PC (polycarbonate)
Dimensions (HxWxD) mm	78x116x51
Product weight	0.14 kg
Standards	AS/NZS 3112

Dimensions (mm)



Environment

Product certifications	RCM
------------------------	-----

Socket Grids

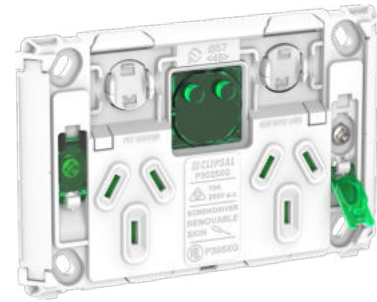
P3025PIDG

Pro Series - Twin switched socket horizontal grid plate (less skin)
10 A 250 V with power indicator

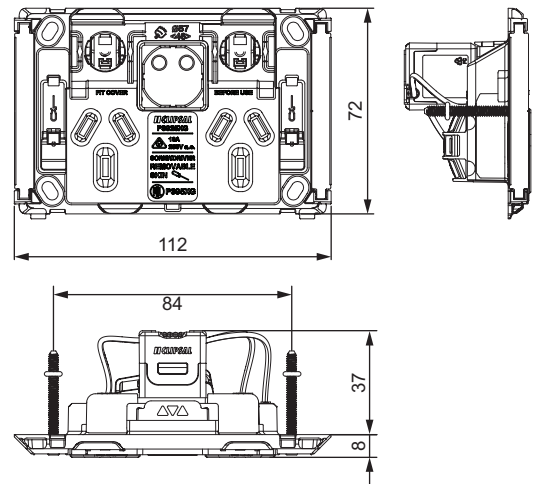
Main	
Range	Clipsal Pro Series
Product type	Switched socket
Device presentation	Grid plate with power indicator module
Outlet poles configuration	1P + E with shutter
Included equipment	Screws and Grid plate
Mounted method	By screws (horizontal)
Type of packing	Polybag
Pack size	Set of 10
Electrical rating	10 A, 250 Vac, 50 Hz

Complementary	
Number of power socket outlets	2
Device mounting	Flush
Outlet standard description	With earth contact
Outlet standard	Australia/New Zealand
Ambient air temperature for operation	0...45 °C
Relative humidity	10...95 %
Electrical durability	12,000 operating cycles to AS/NZS 3133
Mechanical durability	20,000 plugging operating cycles
Connections - terminals	3 x screw terminals
Screwdriver shape	Philips No 2 (PH2); Square drive No 1 (SQ1)
Cable size capacity	4 x 2.5 mm ² ; 3 x 4.0 mm ²
Wire stripping length	16 mm
Material	Grid plate : PC (polycarbonate) Screw cap : PC (polycarbonate) Infill : ABS (acrylonitrile butadiene-styrene) Shutter : POM (polyoxymethylene)
Dimensions (HxWxD) mm	74x112x37
Product weight	0.092 kg
Standards	AS/NZS 3112

Environment	
Product certifications	RCM



Dimensions (mm)



Sockets (continued)

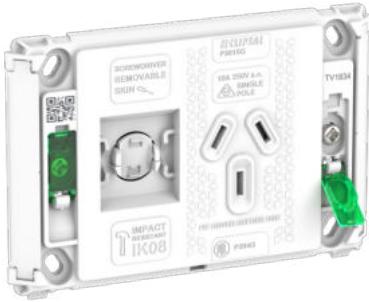
P3015G

Pro Series - Single switched socket horizontal grid plate (less skin) 10 A 250 V

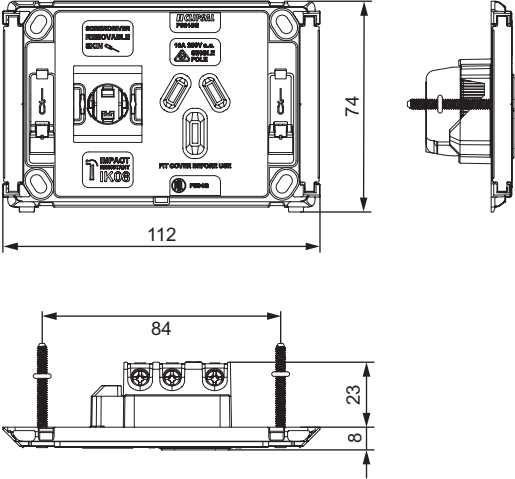
Main	
Range	Clipsal Pro Series
Product type	Switched socket
Device presentation	Grid plate
Outlet poles configuration	1P + E with shutter
Included equipment	Screws and Grid plate
Mounted method	By screws (horizontal)
Type of packing	Polybag
Pack Size	Set of 10
Electrical Rating	10 A, 250 Vac, 50 Hz

Complementary	
Number of power socket outlets	1
Device mounting	Flush
Outlet standard description	With earth contact
Outlet standard	Australia/New Zealand
Ambient air temperature for operation	0...45 °C
Relative humidity	10...95 %
Electrical durability	12,000 operating cycles to AS/NZS 3133
Mechanical durability	20,000 plugging operating cycles
Connections - terminals	3 x screw terminals
Screwdriver shape	Philips No 2 (PH2); Square drive No 1 (SQ1)
Cable size capacity	4 x 2.5 mm ² ; 3 x 4.0 mm ²
Wire stripping length	16 mm
Material	Grid plate : PC (polycarbonate) Screw cap : PC (polycarbonate) Infill : ABS (acrylonitrile butadiene-styrene) Shutter : POM (polyoxymethylene)
Dimensions (HxWxD) mm	74x112x23
Product weight	0.078 kg
Standards	AS/NZS 3112

Environment	
Product certifications	RCM



Dimensions (mm)



Socket Grids (continued)

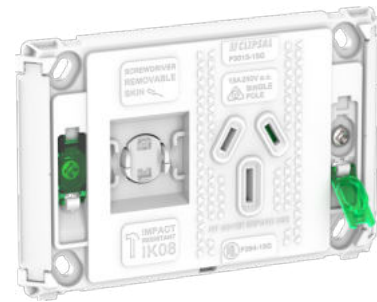
P3015-15G

Pro Series - Single switched socket horizontal grid plate (less skin) 15 A 250 V

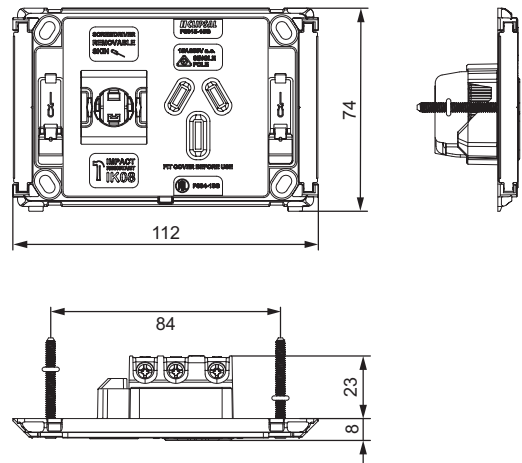
Main	
Range	Clipsal Pro Series
Product type	Switched socket
Device presentation	Grid plate
Outlet poles configuration	1P + E with shutter
Included equipment	Screws and Grid plate
Mounted method	By screws (horizontal)
Type of packing	Polybag
Pack Size	Set of 10
Electrical Rating	15 A, 250 Vac, 50 Hz

Complementary	
Number of power socket outlets	1
Device mounting	Flush
Outlet standard description	With earth contact
Outlet standard	Australia/New Zealand
Ambient air temperature for operation	0...45 °C
Relative humidity	10...95 %
Electrical durability	10,000 operating cycles to AS/NZS 3133
Mechanical durability	20,000 plugging operating cycles
Connections - terminals	3 x screw terminals
Screwdriver shape	Philips No 2 (PH2); Square drive No 1 (SQ1)
Cable size capacity	4 x 2.5 mm ² ; 3 x 4.0 mm ²
Wire stripping length	16 mm
Material	Grid plate : PC (polycarbonate) Screw cap : PC (polycarbonate) Infill : ABS (acrylonitrile butadiene-styrene) Shutter : POM (polyoxymethylene)
Dimensions (HxWxD) mm	74x112x23
Product weight	0.078 kg
Standards	AS/NZS 3112

Environment	
Product certifications	RCM



Dimensions (mm)



Socket Grids (continued)

P3015-20G

Pro Series - Single switched socket horizontal grid plate
(less skin) 20 A 250 V

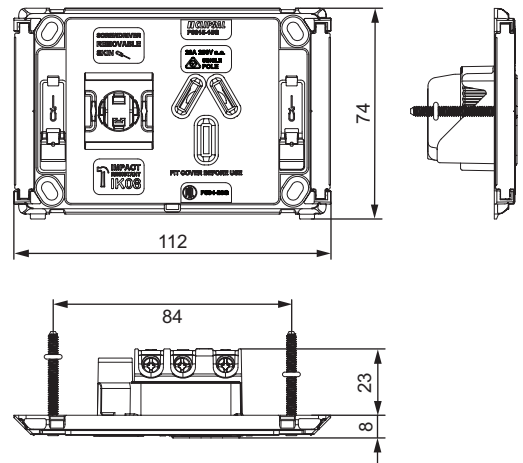
Main	
Range	Clipsal Pro Series
Product type	Switched socket
Device presentation	Grid plate
Outlet poles configuration	1P + E with shutter
Included equipment	Screws and Grid plate
Mounted method	By screws (horizontal)
Type of packing	Polybag
Pack Size	Set of 10
Electrical Rating	20 A, 250 Vac, 50 Hz

Complementary	
Number of power socket outlets	1
Device mounting	Flush
Outlet standard description	With earth contact
Outlet standard	Australia/New Zealand
Ambient air temperature for operation	0...45 °C
Relative humidity	10...95 %
Electrical durability	9,000 operating cycles to AS/NZS 3133
Mechanical durability	20,000 plugging operating cycles
Connections - terminals	3 x screw terminals
Screwdriver shape	Philips No 2 (PH2); Square drive No 1 (SQ1)
Cable size capacity	4 x 2.5 mm ² ; 3 x 4.0 mm ²
Wire stripping length	16 mm
Material	Grid plate : PC (polycarbonate) Screw cap : PC (polycarbonate) Infill : ABS (acrylonitrile butadiene-styrene) Shutter : POM (polyoxymethylene)
Dimensions (HxWxD) mm	74x112x23
Product weight	0.075 kg
Standards	AS/NZS 3112

Environment	
Product certifications	RCM



Dimensions (mm)



Socket Grids (continued)

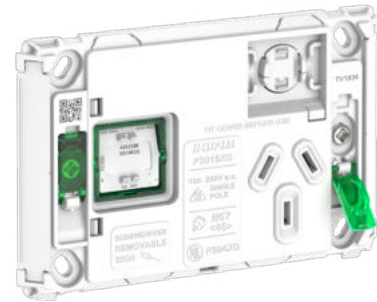
P3015XAG

Pro Series - Single switched socket horizontal grid plate
(less skin) 10 A 250 V with extra switch

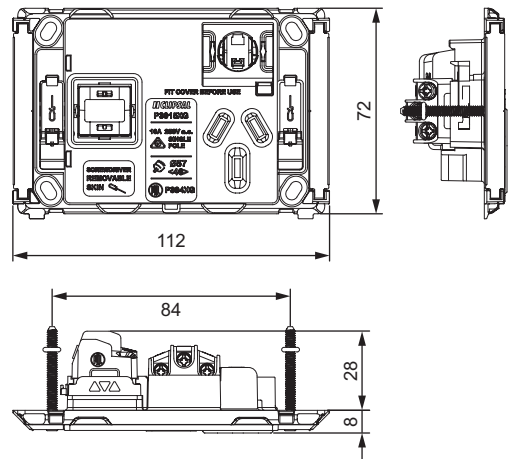
Main	
Range	Clipsal Pro Series
Product type	Switched socket
Device presentation	Grid plate
Outlet poles configuration	1P + E with shutter
Included equipment	Screws and Grid plate
Mounted method	By screws (horizontal)
Type of packing	Polybag
Pack Size	Set of 10
Electrical Rating	10 A, 250 Vac, 50 Hz

Complementary	
Number of power socket outlets	1
Device mounting	Flush
Outlet standard description	With earth contact
Outlet standard	Australia/New Zealand
Ambient air temperature for operation	0...45 °C
Relative humidity	10...95 %
Electrical durability	12,000 operating cycles to AS/NZS 3133
Mechanical durability	20,000 plugging operating cycles
Connections - terminals	3 x screw terminals
Screwdriver shape	Philips No 2 (PH2); Square drive No 1 (SQ1)
Cable size capacity	4 x 2.5 mm ² ; 3 x 4.0 mm ²
Wire stripping length	16 mm
Material	Grid plate : PC (polycarbonate) Screw cap : PC (polycarbonate) Infill : ABS (acrylonitrile butadiene-styrene) Shutter : POM (polyoxymethylene)
Dimensions (HxWxD) mm	74x112x28
Product weight	0.092 kg
Standards	AS/NZS 3112

Environment	
Product certifications	RCM



Dimensions (mm)



Socket Grids (continued)

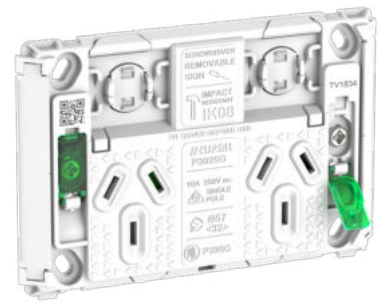
P3025G

Pro Series - Twin switched socket horizontal grid plate (less skin)
10 A 250 V

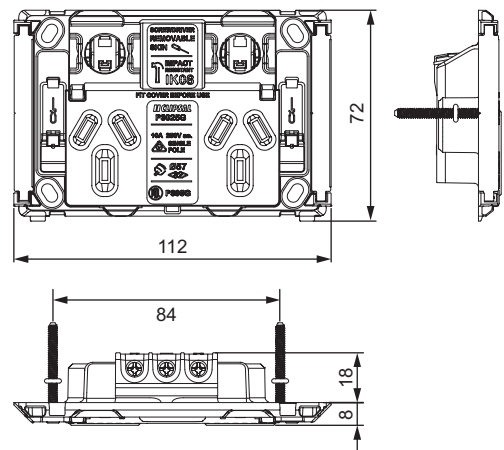
Main	
Range	Clipsal Pro Series
Product type	Switched socket
Device presentation	Grid plate
Outlet poles configuration	1P + E with shutter
Included equipment	Screws and Grid plate
Mounted method	By screws (horizontal)
Type of packing	Polybag
Pack Size	Set of 10
Electrical Rating	10 A, 250 Vac, 50 Hz

Complementary	
Number of power socket outlets	2
Device mounting	Flush
Outlet standard description	With earth contact
Outlet standard	Australia/New Zealand
Ambient air temperature for operation	0...45 °C
Relative humidity	10...95 %
Electrical durability	12,000 operating cycles to AS/NZS 3133
Mechanical durability	20,000 plugging operating cycles
Connections - terminals	3 x screw terminals
Screwdriver shape	Philips No 2 (PH2); Square drive No 1 (SQ1)
Cable size capacity	4 x 2.5 mm ² ; 3 x 4.0 mm ²
Wire stripping length	16 mm
Material	Grid plate : PC (polycarbonate) Screw cap : PC (polycarbonate) Infill : ABS (acrylonitrile butadiene-styrene) Shutter : POM (polyoxymethylene)
Dimensions (HxWxD) mm	74x112x18
Product weight	0.087 kg
Standards	AS/NZS 3112

Environment	
Product certifications	RCM



Dimensions (mm)



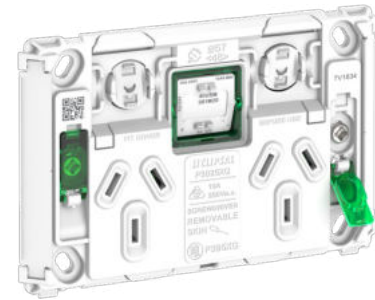
Socket Grids (continued)

P3025XAG

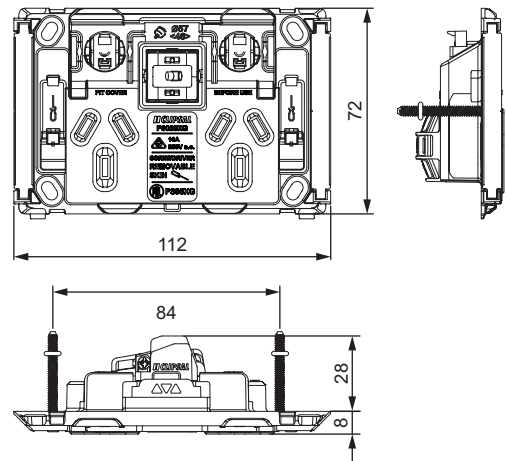
Pro Series - Twin switched socket horizontal grid plate (less skin)
10 A 250 V with extra switch

Main	
Range	Clipsal Pro Series
Product type	Switched socket
Device presentation	Grid plate with extra switch
Outlet poles configuration	1P + E with shutter
Mounted method	By screw

Complementary	
Socket number	2
Device mounting	Flush
Outlet standard description	With earth contact
Outlet standard	Australia/New Zealand
Switch function	2-way
Mounting mode	Horizontal
Surface finish	Gloss
Type of packing	Polybag
Quantity per set	Set of 10
Sale per indivisible quantity	1
Ambient air temperature for storage	0...60 °C
Rated current	10 A for socket 16 AX for switch
[Ue] rated operational voltage	250 Vac 50 Hz
Ambient air temperature for operation	0...45 °C
Relative humidity	10...95 %
Electrical durability	12,000 operating cycles to AS/NZS 3133
Mechanical durability	20,000 plugging operating cycles
Connections - terminals	Screw terminal
Number of terminals	3
Screwdriver shape	Philips No 2 (PH2); Square drive No 1 (SQ1)
Cable size capacity	4 x 2.5 mm ² ; 3 x 4.0 mm ²
Wire stripping length	16 mm
Material	Grid plate : PC (polycarbonate) Screw cap : PC (polycarbonate) Infill : ABS (acrylonitrile butadiene-styrene) Shutter : POM (polyoxymethylene)
Dimensions (HxWxD) mm	74x112x28
Product weight	0.08 kg
Standards	AS/NZS 3112



Dimensions (mm)



Environment	
Product certifications	RCM

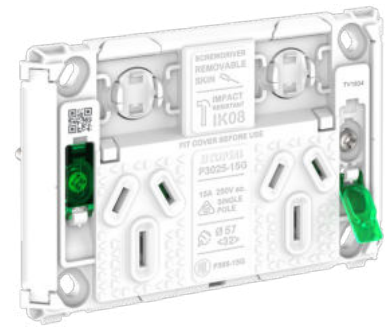
Socket Grids (continued)

P3025-15G

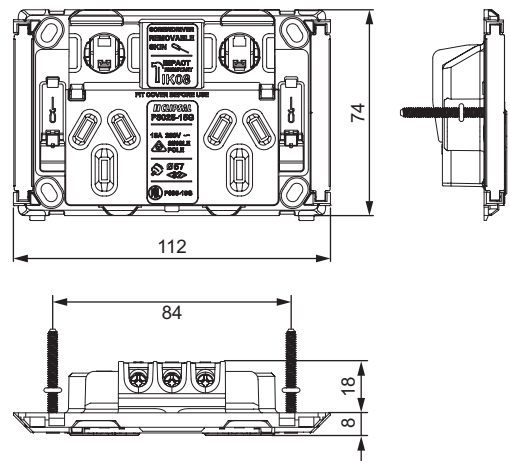
Pro Series - Twin switched socket horizontal grid plate (less skin)
15 A 250 V

Main	
Range	Clipsal Pro Series
Product type	Switched socket
Device presentation	Grid plate
Outlet poles configuration	1P + E with shutter
Type of packing	Polybag
Pack Size	Set of 10
Electrical Rating	15 A, 250 Vac, 50 Hz

Complementary	
Number of power socket outlets	2
Device mounting	Flush
Number of rocker	2
Outlet standard description	With earth contact
Outlet standard	Australia/New Zealand
Fixing mode	By screw
Installation direction	Horizontal
Surface finish	Gloss
Ambient air temperature for operation	0...45 °C
Relative humidity	10...95 %
Electrical durability	10,000 operating cycles to AS/NZS 3133
Mechanical durability	20,000 plugging operating cycles
Connections - terminals	3 x screw terminals
Screwdriver shape	Philips No 2 (PH2); Square drive No 1 (SQ1)
Cable size capacity	4 x 2.5 mm ² ; 3 x 4.0 mm ²
Wire stripping length	16 mm
Material	Grid plate : PC (polycarbonate) Screw cap : PC (polycarbonate) Infill : ABS (acrylonitrile butadiene-styrene) Shutter : POM (polyoxymethylene)
Dimensions (HxWxD) mm	74x112x18
Product weight	0.078 kg
Standards	AS/NZS 3112



Dimensions (mm)



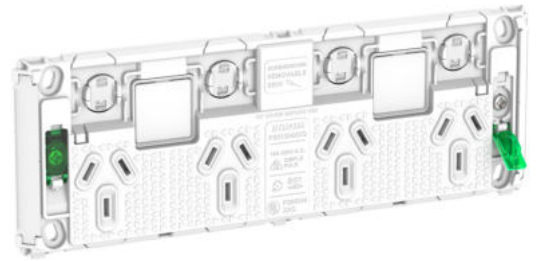
Environment	
Product certifications	RCM

Socket Grids (continued)

P3015-4XXUAG

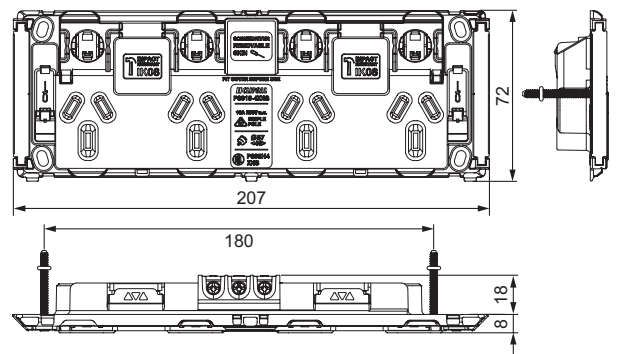
Pro Series - Quad switched socket horizontal (less skin) 10 A 250 V with extra switch aperture (less module)

Main	
Range	Clipsal Pro Series
Product type	Switched socket
Device presentation	Grid plate
Outlet poles configuration	1P + E with shutter
Included equipment	Screws and Grid plate
Mounted method	By screws (horizontal)
Type of packing	Polybag
Pack Size	Set of 5
Electrical Rating	10 A, 250 Vac, 50 Hz



Complementary	
Number of power socket outlets	4
Device mounting	Flush
Outlet standard description	With earth contact
Outlet standard	Australia/New Zealand
Ambient air temperature for operation	0...45 °C
Relative humidity	10...95 %
Electrical durability	12,000 operating cycles to AS/NZS 3133
Mechanical durability	20,000 plugging operating cycles
Connections - terminals	3 x screw terminals
Screwdriver shape	Philips No 2 (PH2); Square drive No 1 (SQ1)
Cable size capacity	4 x 2.5 mm ² ; 3 x 4.0 mm ²
Wire stripping length	16 mm
Material	Grid plate : PC (polycarbonate) Screw cap : PC (polycarbonate) Infill : ABS (acrylonitrile butadiene-styrene) Shutter : POM (polyoxymethylene)
Dimensions (HxWxD) mm	72x207x18
Product weight	0.036 kg
Standards	AS/NZS 3112

Dimensions (mm)



Environment	
Product certifications	RCM

Socket Grids (continued)

P3015VG

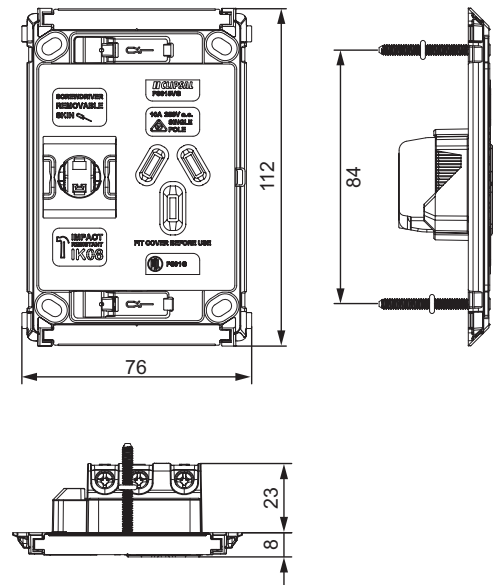
Pro Series - Single switched socket vertical grid plate (less skin)
10 A 250 V

Main	
Range	Clipsal Pro Series
Product type	Switched socket
Device presentation	Grid plate
Outlet poles configuration	1P + E with shutter
Included equipment	Screws and Grid plate
Mounted method	By screws (horizontal)
Type of packing	Polybag
Pack Size	Set of 10
Electrical Rating	10 A, 250 Vac, 50 Hz



Complementary	
Number of power socket outlets	1
Device mounting	Flush
Outlet standard description	With earth contact
Outlet standard	Australia/New Zealand
Ambient air temperature for operation	0...45 °C
Relative humidity	10...95 %
Electrical durability	12,000 operating cycles to AS/NZS 3133
Mechanical durability	20,000 plugging operating cycles
Connections - terminals	3 x screw terminals
Screwdriver shape	Philips No 2 (PH2); Square drive No 1 (SQ1)
Cable size capacity	4 x 2.5 mm ² ; 3 x 4.0 mm ²
Wire stripping length	16 mm
Material	Grid plate :PC (polycarbonate) Screw cap :PC (polycarbonate) Infill : ABS (acrylonitrile butadiene-styrene) Shutter : POM (polyoxymethylene)
Dimensions (HxWxD) mm	112x76x23
Product weight	0.074 kg
Standards	AS/NZS 3112

Dimensions (mm)



Environment	
Product certifications	RCM

Socket Grids (continued)

P3025VXAG

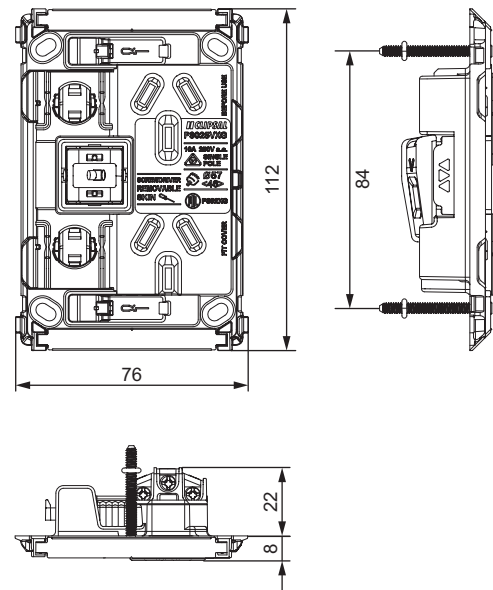
Pro Series - Twin switched socket vertical grid plate (less skin)
10 A 250 V with extra switch

Main	
Range	Clipsal Pro Series
Product type	Switched socket
Device presentation	Grid plate with extra switch
Outlet poles configuration	1P + E with shutter
Included equipment	Screws and Grid plate
Mounted method	By screws (horizontal)
Type of packing	Polybag
Pack Size	Set of 10
Electrical Rating	10 A, 250 Vac, 50 Hz



Complementary	
Number of power socket outlets	2
Device mounting	Flush
Outlet standard description	With earth contact
Outlet standard	Australia/New Zealand
Ambient air temperature for operation	0...45 °C
Relative humidity	10...95 %
Electrical durability	12,000 operating cycles to AS/NZS 3133
Mechanical durability	20,000 plugging operating cycles
Connections - terminals	3 x screw terminals
Screwdriver shape	Philips No 2 (PH2); Square drive No 1 (SQ1)
Cable size capacity	4 x 2.5 mm ² ; 3 x 4.0 mm ²
Wire stripping length	16 mm
Material	Grid plate :PC (polycarbonate) Screw cap :PC (polycarbonate) Infill : ABS (acrylonitrile butadiene-styrene) Shutter : POM (polyoxymethylene)
Dimension (HxWxD) mm	112x76x22
Product weight	0.097 kg
Standards	AS/NZS 3112

Dimensions (mm)



Environment	
Product certifications	RCM

Socket Grids (continued)

P3025VG

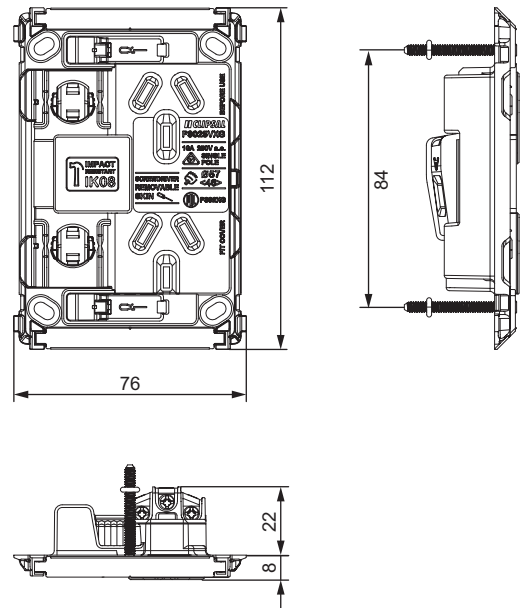
Pro Series - Twin switched socket vertical grid plate (less skin)
10 A 250 V

Main	
Range	Clipsal Pro Series
Product type	Switched socket
Device presentation	Grid plate
Included equipment	Screws and Grid plate
Outlet poles configuration	1P + E with shutter
Mounted method	By screws (vertical)
Type of packing	Polybag
Pack Size	Set of 10
Electrical Rating	10 A, 250 Vac, 50 Hz



Complementary	
Number of power socket outlets	2
Device mounting	Flush
Outlet standard description	With earth contact
Outlet standard	Australia/New Zealand
Ambient air temperature for operation	0...45 °C
Relative humidity	10...95 %
Electrical durability	12,000 operating cycles to AS/NZS 3133
Mechanical durability	20,000 plugging operating cycles
Connections - terminals	3 x screw terminals
Screwdriver shape	Philips No 2 (PH2); Square drive No 1 (SQ1)
Cable size capacity	4 x 2.5 mm ² ; 3 x 4.0 mm ²
Wire stripping length	16 mm
Material	Grid plate :PC (polycarbonate) Screw cap :PC (polycarbonate) Infill : ABS (acrylonitrile butadiene-styrene) Shutter : POM (polyoxymethylene)
Dimensions (HxWxD) mm	112x76x22
Product weight	0.082 kg
Standards	AS/NZS 3112

Dimensions (mm)



Environment	
Product certifications	RCM

Socket Grids (continued)

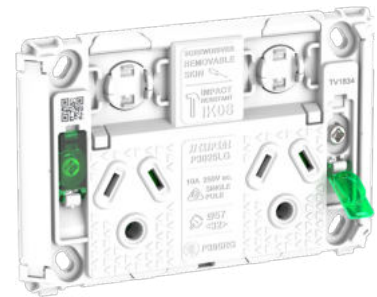
P3025LG

Pro Series - Twin switched socket horizontal grid plate round earth pin (less skin) 10 A 250 V

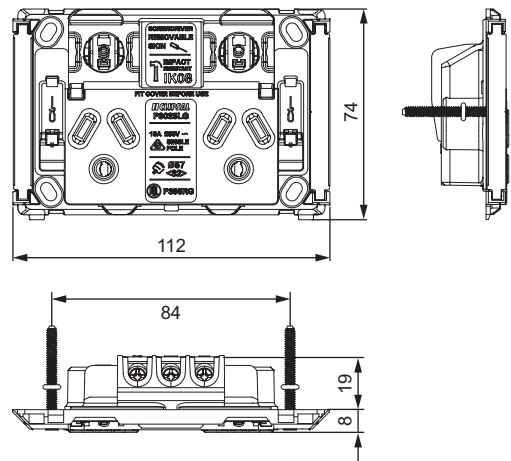
Main	
Range	Clipsal Pro Series
Product type	Switched socket
Device presentation	Grid plate
Included equipment	Screws and Grid plate
Outlet poles configuration	1P + E with shutter
Mounted method	By screws (horizontal)
Type of packing	Polybag
Pack Size	Set of 10
Electrical Rating	10 A, 250 Vac, 50 Hz

Complementary	
Number of power socket outlets	2
Device mounting	Flush
Outlet standard description	With earth contact
Outlet standard	Australia/New Zealand
Ambient air temperature for operation	0...45 °C
Relative humidity	10...95 %
Electrical durability	12,000 operating cycles to AS/NZS 3133
Mechanical durability	20,000 plugging operating cycles
Connections - terminals	3 x screw terminals
Screwdriver shape	Philips No 2 (PH2); Square drive No 1 (SQ1)
Cable size capacity	4 x 2.5 mm ² ; 3 x 4.0 mm ²
Wire stripping length	16 mm
Material	Grid plate :PC (polycarbonate) Screw cap :PC (polycarbonate) Infill : ABS (acrylonitrile butadiene-styrene) Shutter : POM (polyoxymethylene)
Dimensions (HxWxD) mm	74x112x19
Product weight	0.078 kg
Standards	AS/NZS 3112

Environment	
Product certifications	RCM



Dimensions (mm)

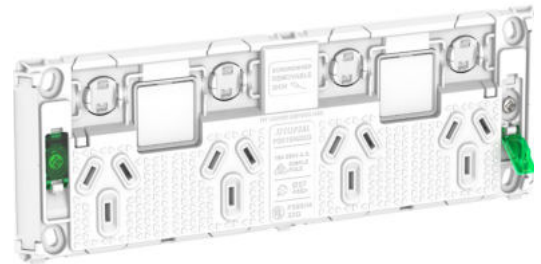


Socket Grids (continued)

P3015-4G

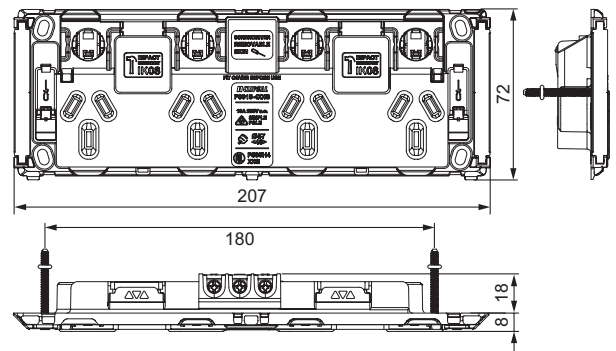
Pro Series - Quad switched socket horizontal grid 10 A 250 V

Main	
Range	Clipsal Pro Series
Product type	Switched socket
Device presentation	Grid plate
Included equipment	Screws and Grid plate
Outlet poles configuration	1P + E with shutter
Mounted method	By screws (horizontal)
Type of packing	Polybag
Pack Size	Set of 5
Electrical Rating	10 A, 250 Vac, 50 Hz



Complementary	
Number of power socket outlets	4
Device mounting	With earth contact
Outlet standard description	With earth contact
Outlet standard	Australia/New Zealand
Ambient air temperature for operation	0...45 °C
Relative humidity	10...95 %
Electrical durability	12,000 operating cycles to AS/NZS 3133
Mechanical durability	20,000 plugging operating cycles
Connections - terminals	3 x screw terminals
Screwdriver shape	Philips No 2 (PH2); Square drive No 1 (SQ1)
Cable size capacity	4 x 2.5 mm ² ; 3 x 4.0 mm ²
Wire stripping length	16 mm
Material	Grid plate :PC (polycarbonate) Screw cap :PC (polycarbonate) Infill : ABS (acrylonitrile butadiene-styrene) Shutter : POM (polyoxymethylene)
Dimensions (HxWxD) mm	72x207x18
Product weight	0.032 kg
Standards	AS/NZS 3112

Dimensions (mm)



Environment	
Product certifications	RCM

Socket Grids (continued)

P3025USB2G

Pro Series - Twin switched socket 10 A 250 V grid plate (less skin) with twin 2.1 A USB charger module

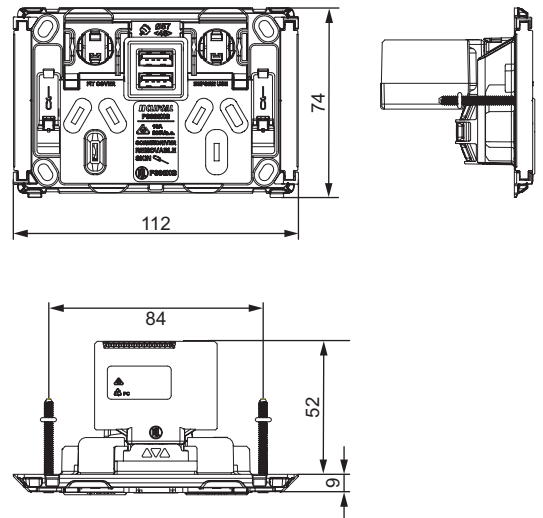
Main	
Range	Clipsal Pro Series
Product type	Switched socket
Device presentation	Grid plate with USB charger module
Included equipment	Screws and Grid plate
Outlet poles configuration	1P + E with shutter
Mounted method	By screws (horizontal)
Type of packing	Polybag
Pack Size	Set of 10
Electrical Rating	10 A, 250 Vac, 50 Hz

Complementary	
Number of power socket outlets	2
Device mounting	Flush
Outlet standard description	With earth contact
Outlet standard	Australia/New Zealand
Ambient air temperature for operation	0...45 °C
Relative humidity	10...95 %
Electrical durability	12,000 operating cycles to AS/NZS 3133
Mechanical durability	20,000 plugging operating cycles
Connections - terminals	3 x screw terminals
Screwdriver shape	Philips No 2 (PH2); Square drive No 1 (SQ1)
Cable size capacity	4 x 2.5 mm ² ; 3 x 4.0 mm ²
Wire stripping length	16 mm
Material	Grid plate : PC (polycarbonate) Screw cap : PC (polycarbonate) Infill : ABS (acrylonitrile butadiene-styrene) Shutter : POM (polyoxymethylene)
Dimensions (HxWxD) mm	74x112x52
Product weight	0.145 kg
Standards	AS/NZS 3112

Environment	
Product certifications	RCM



Dimensions (mm)



Socket Grids (continued)

P3015V15G

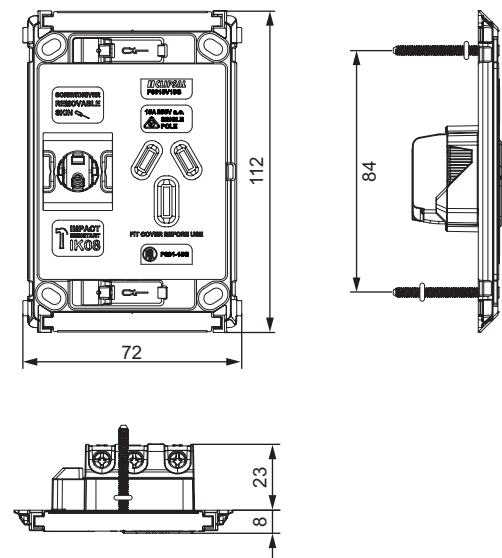
Pro Series - Single switched socket vertical grid plate (less skin)
15 A 250 V

Main	
Range	Clipsal Pro Series
Product type	Switched socket
Device presentation	Grid plate
Outlet poles configuration	1P + E with shutter
Included equipment	Screws and Grid plate
Mounted method	By screws (vertical)
Type of packing	Polybag
Pack size	Set of 10
Electrical rating	15 A, 250 Vac, 50 Hz



Complementary	
Number of power socket outlets	1
Device mounting	Flush
Outlet standard description	With earth contact
Outlet standard	Australia/New Zealand
Ambient air temperature for operation	0...45 °C
Relative humidity	10...95 %
Electrical durability	10,000 operating cycles to AS/NZS 3133
Mechanical durability	20,000 plugging operating cycles
Connections - terminals	3 x screw terminals
Screwdriver shape	Philips No 2 (PH2); Square drive No 1 (SQ1)
Cable size capacity	4 x 2.5 mm ² ; 3 x 4.0 mm ²
Wire stripping length	16 mm
Material	Grid plate :PC (polycarbonate) Screw cap :PC (polycarbonate) Infill : ABS (acrylonitrile butadiene-styrene) Shutter : POM (polyoxymethylene)
Dimensions (HxWxD) mm	112x74x23
Product weight	0.078 kg
Standards	AS/NZS 3112

Dimensions (mm)



Environment	
Product certifications	RCM

Socket Grids (continued)

P3043HUSBG

Pro Series - 3 USB Charger, Type A, 2.1 A, 240 V

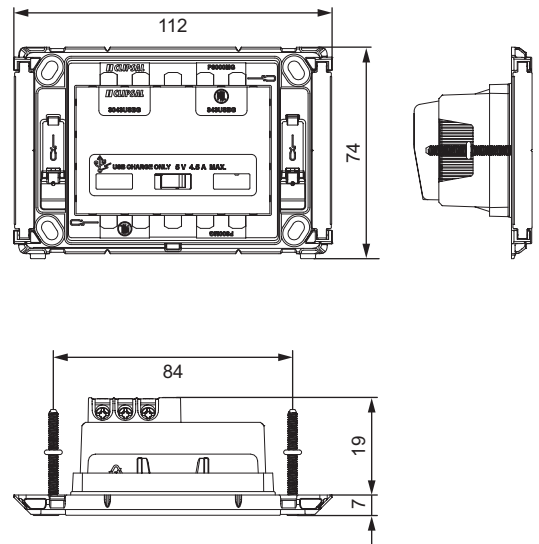
Main	
Range	Clipsal Pro Series
Product type	USB charger
Device presentation	Mechanism with fixing frame
[Ue] rated operational voltage	220/240 Vac 50 Hz
Integrated connection type	3 USB 2.0 type A 5 V DC, maximum load current: 2.1 A
Fixing mode	By screws
Type of packing	Polybag
Quantity per set	Set of 5
Maximum load current with 2 outputs used simultaneously	4.5 A

Complementary	
Device mounting	Flush
Surface finish	Matt textured
Ambient air temperature for operation	0...45 °C
Ambient air temperature for storage	-5...50 °C
Relative humidity	10...95 %
Material	Grid plate : PC (polycarbonate) PP (polypropylene) Infill : ABS (acrylonitrile butadiene-styrene)
Protection type	Short time short-circuit protection
Number of terminals	3 screw terminal
Screwdriver shape	Square drive no 1 (SQ1) Philips No 2
Cable size capacity	4 x 2.5 mm ² ; 3 x 4.0 mm ²
Wire stripping length	16 mm
Dimensions (HxWxD) mm	74x112x19
Standards	AS/NZS 3112

Environment	
Product certifications	RCM



Dimensions (mm)



Socket Skins

P3015C

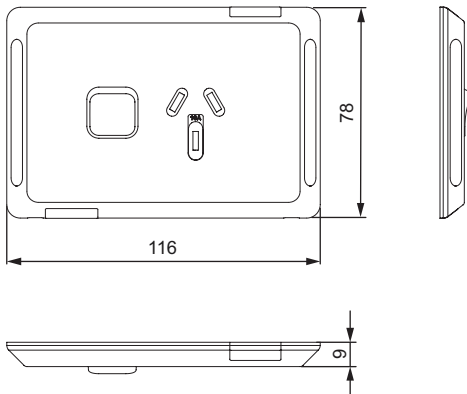
Pro Series - Skin for single switched socket horizontal 10 A 250 V

Main	
Range	Clipsal Pro Series
Product type	Skin
Product destination	Switched Socket

Complementary	
Device mounting	Flush
Mounted method	Clip-on
Colour	White (XW), Black (BK)
Surface finish	Gloss
Type of packing	Polybag
Pack Size	Set of 20
Ambient air temperature for operation	0...45 °C
Relative humidity	10...95 %
Material	Skin : ABS (acrylonitrile butadiene-styrene) Window : PC (polycarbonate)
Dimensions (HxWxD) mm	78x116x9
Product weight	0.02 kg



Dimensions (mm)



Socket Skins (continued)

P3015-15C

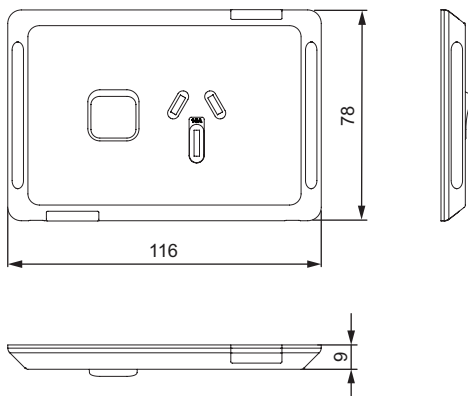
Pro Series - Skin for single switched socket horizontal 15 A 250 V

Main	
Range	Clipsal Pro Series
Product type	Skin
Product destination	Switched socket

Complementary	
Device mounting	Flush
Mounted method	Clip-on
Colour	White (XW), Black (BK)
Surface finish	Gloss
Type of packing	Polybag
Pack Size	Set of 20
Ambient air temperature for operation	0...45 °C
Relative humidity	10...95 %
Material	Skin : ABS (acrylonitrile butadiene-styrene) Window : PC (polycarbonate)
Dimensions (HxWxD) mm	78x116x9
Product weight	0.02 kg



Dimensions (mm)



Socket Skins (continued)

P3015-20C

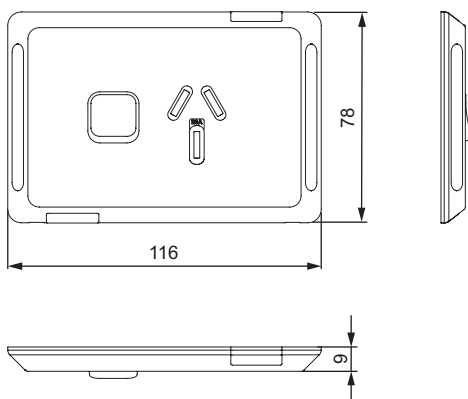
Pro Series - Skin for single switched socket horizontal 20 A 250 V

Main	
Range	Clipsal Pro Series
Product type	Skin
Product destination	Switched socket

Complementary	
Device mounting	Flush
Mounted method	Clip-on
Colour	White (XW), Black (BK)
Surface finish	Gloss
Type of packing	Polybag
Pack Size	Set of 20
Ambient air temperature for operation	0...45 °C
Relative humidity	10...95 %
Material	Skin : ABS (acrylonitrile butadiene-styrene) Window : PC (polycarbonate)
Dimensions (HxWxD) mm	78x116x9
Product weight	0.02 kg



Dimensions (mm)



Socket Skins (continued)

P3015XC

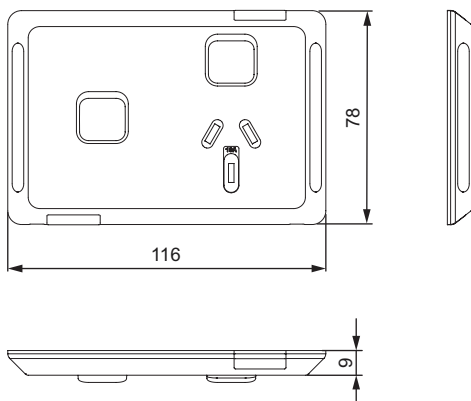
Pro Series - Skin for single switched socket horizontal with extra switch 10 A 250 V

Main	
Range	Clipsal Pro Series
Product type	Skin
Product destination	Switched socket

Complementary	
Device mounting	Flush
Mounted method	Clip-on
Colour	White (XW), Black (BK)
Surface finish	Gloss
Type of packing	Polybag
Pack Size	Set of 20
Ambient air temperature for operation	0...45 °C
Relative humidity	10...95 %
Material	Skin : ABS (acrylonitrile butadiene-styrene) Window : PC (polycarbonate)
Dimensions (HxWxD) mm	78x116x9
Product weight	0.02 kg



Dimensions (mm)



Socket Skins (continued)

P3025C

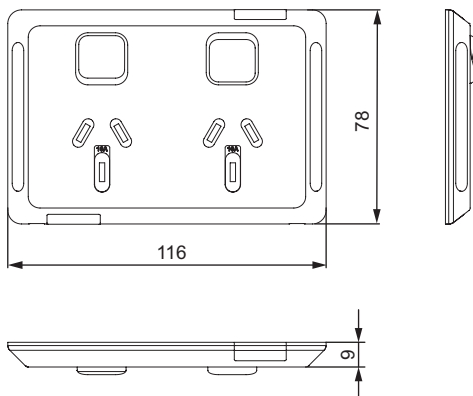
Pro Series - Skin for twin switched socket horizontal 10 A 250 V

Main	
Range	Clipsal Pro Series
Product type	Skin
Product destination	Switched socket

Complementary	
Device mounting	Flush
Mounted method	Clip-on
Colour	White (XW), Black (BK), Blue (DB), Red (RD), Green (GR)
Surface finish	Gloss
Type of packing	Polybag
Pack Size	Set of 20
Ambient air temperature for operation	0...45 °C
Relative humidity	10...95 %
Material	Skin : ABS (acrylonitrile butadiene-styrene) Window : PC (polycarbonate)
Dimensions (HxWxD) mm	78x116x9
Product weight	0.02 kg



Dimensions (mm)



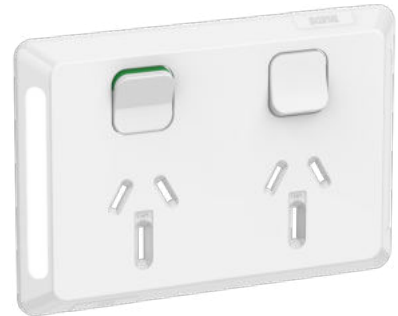
Socket Skins (continued)

P3025-15C

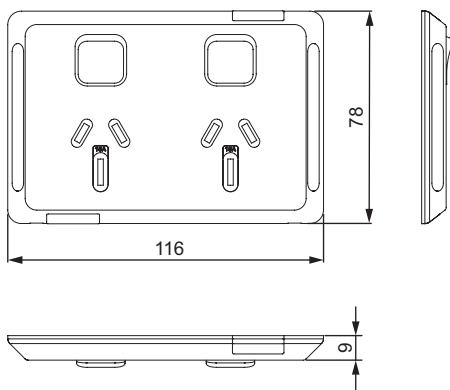
Pro Series - Skin for twin switched socket horizontal 15 A 250 V

Main	
Range	Clipsal Pro Series
Product type	Skin
Product destination	Switched socket

Complementary	
Device mounting	Flush
Mounted method	Clip-on
Colour	White (XW), Black (BK)
Surface finish	Gloss
Type of packing	Polybag
Pack Size	Set of 20
Ambient air temperature for operation	0...45 °C
Relative humidity	10...95 %
Material	Skin : ABS (acrylonitrile butadiene-styrene) Window : PC (polycarbonate)
Dimensions (HxWxD) mm	78x116x9
Product weight	0.02 kg



Dimensions (mm)



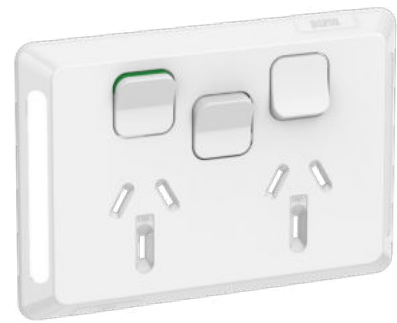
Socket Skins (continued)

P3025XC

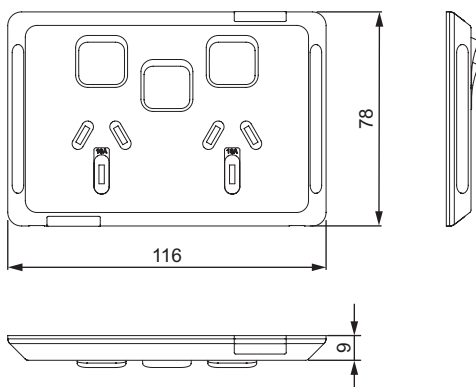
Pro Series - Skin for twin switched socket horizontal with extra switch 10 A 250 V

Main	
Range	Clipsal Pro Series
Product type	Skin
Product destination	Switched socket

Complementary	
Device mounting	Flush
Mounted method	Clip-on
Colour	White (XW), Black (BK)
Surface finish	Gloss
Type of packing	Polybag
Pack Size	Set of 20
Ambient air temperature for operation	0...45 °C
Relative humidity	10...95 %
Material	Skin : ABS (acrylonitrile butadiene-styrene) Window : PC (polycarbonate)
Dimensions (HxWxD) mm	78x116x9
Product weight	0.02 kg



Dimensions (mm)



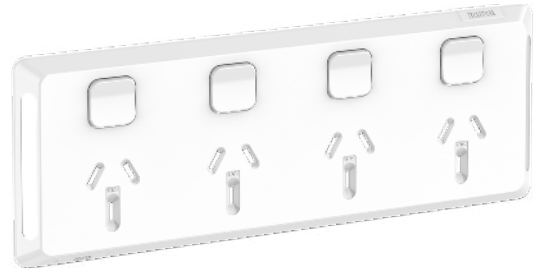
Socket Skins (continued)

P3015-4C

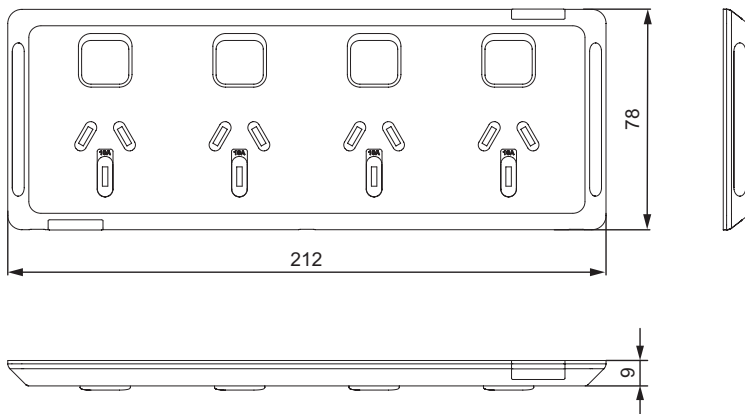
Pro Series - Skin for quad switched socket horizontal 10 A 250 V

Main	
Range	Clipsal Pro Series
Product type	Skin
Product destination	Switched socket

Complementary	
Device mounting	Flush
Mounted method	Clip-on
Colour	White (XW), Black (BK)
Surface finish	Gloss
Type of packing	Polybag
Pack Size	Set of 10
Ambient air temperature for operation	0...45 °C
Relative humidity	10...95 %
Material	Skin : ABS (acrylonitrile butadiene-styrene) Window : PC (polycarbonate)
Dimensions (HxWxD) mm	78x212x9
Product weight	0.032 kg



Dimensions (mm)



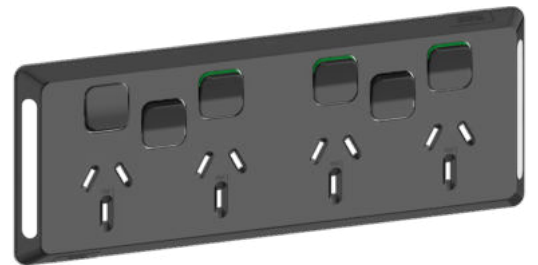
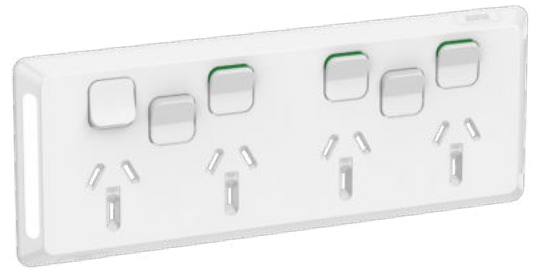
Socket Skins (continued)

P3015-4XXC

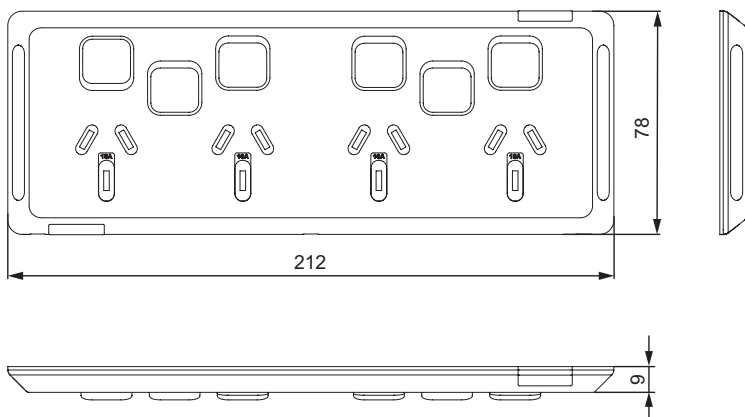
Pro Series - Skin for quad switched socket horizontal 2 extra switch
10 A 250 V

Main	
Range	Clipsal Pro Series
Product or component type	Skin
Product destination	Switched socket

Complementary	
Device mounting	Flush
Mounted method	Clip-on
Colour	White (XW), Black (BK)
Surface finish	Gloss
Type of packing	Polybag
Pack Size	Set of 10
Ambient air temperature for operation	0...45 °C
Relative humidity	10...95 %
Material	Skin : ABS (acrylonitrile butadiene-styrene) Window : PC (polycarbonate)
Dimensions (HxWxD) mm	78x212x9
Product weight	0.032 kg



Dimensions (mm)



Socket Skins (continued)

P3015VC

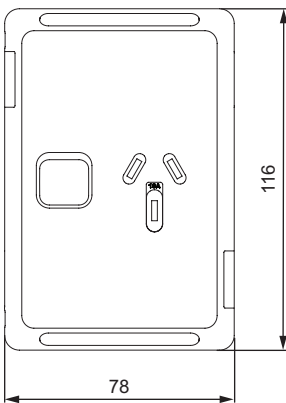
Pro Series - Skin for single switched socket vertical 10 A 250 V

Main	
Range	Clipsal Pro Series
Product type	Skin
Product destination	Switched socket

Complementary	
Device mounting	Flush
Mounted method	Clip-on
Colour	White (XW), Black (BK)
Surface finish	Gloss
Type of packing	Polybag
Pack Size	Set of 20
Ambient air temperature for operation	0...45 °C
Relative humidity	10...95 %
Material	Skin : ABS (acrylonitrile butadiene-styrene) Window : PC (polycarbonate)
Dimensions (HxWxD) mm	116x78x9
Product weight	0.02 kg



Dimensions (mm)



Socket Skins (continued)

P3015V15C

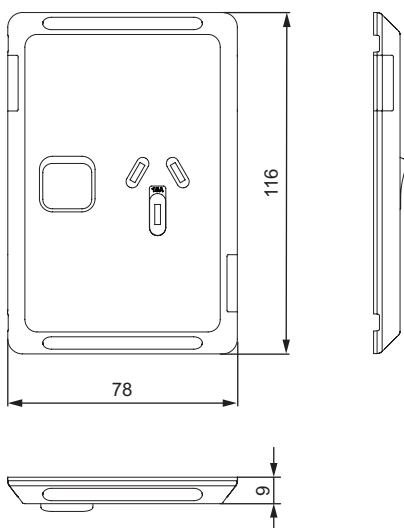
Pro Series – Skin for single switched socket vertical 15 A 250 V

Main	
Range	Clipsal Pro Series
Product type	Skin
Product destination	Switched socket

Complementary	
Device mounting	Flush
Mounted method	Clip-on
Colour	White (XW), Black (BK)
Surface finish	Gloss
Type of packing	Polybag
Pack size	Set of 20
Ambient air temperature for operation	0...45 °C
Relative humidity	10...95 %
Material	Skin : ABS (acrylonitrile butadiene-styrene) Window : PC (polycarbonate)
Dimensions (HxWxD) mm	116x78x9
Product weight	0.02 kg



Dimensions (mm)



Socket Skins (continued)

P3025VC

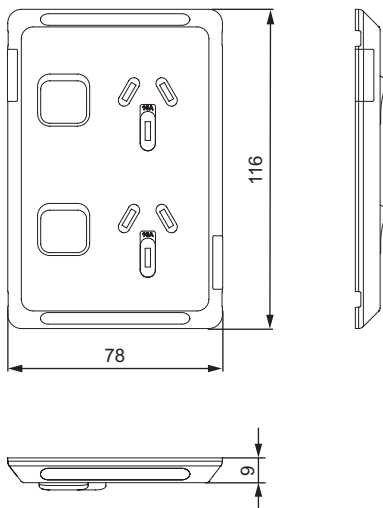
Pro Series - Skin for twin switched socket vertical 10 A 250 V

Main	
Range	Clipsal Pro Series
Product type	Skin
Product destination	Switched socket

Complementary	
Device mounting	Flush
Mounted method	Clip-on
Colour	White (XW), Black (BK), Blue (DB), Red (RD)
Surface finish	Gloss
Type of packing	Polybag
Pack Size	Set of 20
Ambient air temperature for operation	0...45 °C
Relative humidity	10...95 %
Material	Skin : ABS (acrylonitrile butadiene-styrene) Window : PC (polycarbonate)
Dimensions (HxWxD) mm	116x78x9
Product weight	0.02 kg



Dimensions (mm)



Socket Skins (continued)

P3025VXC

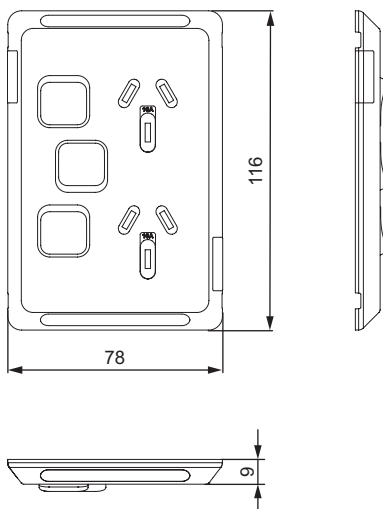
Pro Series - Skin for twin switched socket vertical extra switch
10 A 250 V

Main	
Range	Clipsal Pro Series
Product type	Skin
Product destination	Switched socket

Complementary	
Device mounting	Flush
Mounted method	Clip-on
Colour	White (XW), Black (BK)
Surface finish	Gloss
Type of packing	Polybag
Pack Size	Set of 20
Ambient air temperature for operation	0...45 °C
Relative humidity	10...95 %
Material	Skin : ABS (acrylonitrile butadiene-styrene) Window : PC (polycarbonate)
Dimensions (HxWxD) mm	116x78x9
Product weight	0.02 kg



Dimensions (mm)



Socket Skins (continued)

P3025LC

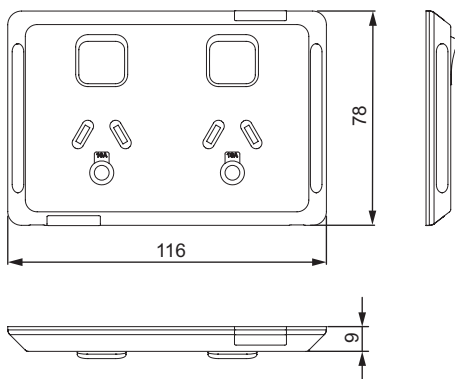
Pro Series – Skin for twin switched socket horizontal round earth pin 10 A 250 V

Main	
Range	Clipsal Pro Series
Product type	Skin
Device presentation	Switched socket

Complementary	
Device mounting	Flush
Mounted method	Clip-on
Colour	White (XW), Black (BK)
Surface finish	Gloss
Type of packing	Polybag
Pack size	Set of 20
Ambient air temperature for operation	0...45 °C
Relative humidity	10...95 %
Material	Skin : ABS (acrylonitrile butadiene-styrene) Window : PC (polycarbonate)
Dimensions (HxWxD) mm	78x116x9
Product weight	0.02 kg



Dimensions (mm)



Socket Skins (continued)

P3025PIDC

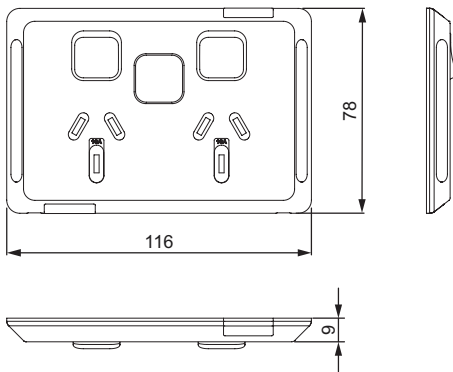
Pro Series – Skin for twin switched socket horizontal
10 A 250 V with power indicator

Main	
Range	Clipsal Pro Series
Product type	Skin
Product destination	Switched socket

Complementary	
Device mounting	Flush
Mounted method	Clip-on
Colour	Black (BK)
Surface finish	Gloss
Type of packing	Polybag
Pack size	Set of 20
Ambient air temperature for operation	0...45 °C
Relative humidity	10...95 %
Material	Skin : ABS (acrylonitrile butadiene-styrene) Window : PC (polycarbonate)
Dimensions (HxWxD) mm	78x116x9
Product weight	0.018 kg



Dimensions (mm)



Socket Skins (continued)

P3043HUSBC

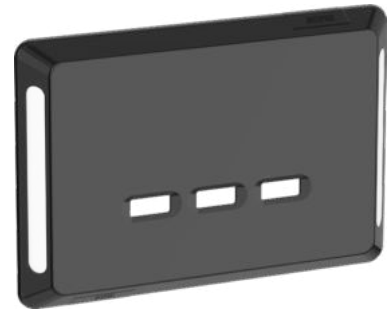
Pro Series – 3 gang USB A charging station

Main

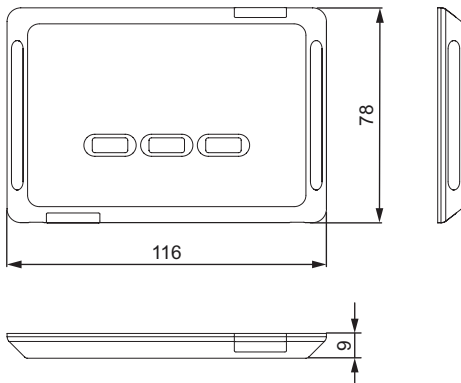
Range	Clipsal Pro Series
Product type	Skin
Product destination	USB charger

Complementary

Device mounting	Flush
Mounted method	Clip-on
Colour	Black (BK)
Surface finish	Gloss
Type of packing	Polybag
Pack size	Set of 1
Ambient air temperature for storage	-5...50 °C
Ambient air temperature for operation	0...40 °C
Relative humidity	15...95 %
Dimensions (HxWxD) mm	78x116x9
Product weight	0.018 kg



Dimensions (mm)



Mechanisms and Modules

40M

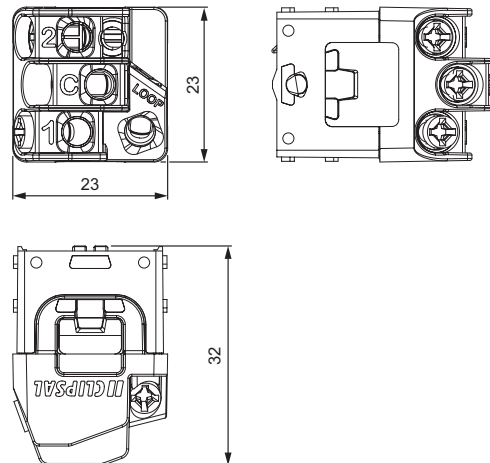
40 Series modules - 1/2 way switch mechanism 10 AX 250 V

Main	
Range	40 Series modules
Product type	Switch mechanism
Device presentation	Mechanism
Included equipment	Switch
Device application	Lighting
Mounted method	Locking bar
Type of packing	Polybag
Pack Size	Set of 20
Electrical Rating	10 AX - 250 Vac, 50 Hz



Complementary	
Switch function	1/2-way
Ambient air temperature for storage	0...60 °C
Motor M-rating AS3133	M80
Load type	Inductive, Light, Fluorescent lamp, and LED
Ambient air temperature for operation	0...45 °C
Relative humidity	10...95 %
Electrical durability	20,000 operations @ 10 A, conforming to AS/NZS 60669
Connections - terminals	4 x screw terminals
Screwdriver shape	Philips (No 2); Square drive No 1 (SQ1)
Cable size capacity	4 x 1.5 mm ² ; 3 x 2.5 mm ²
Wire stripping length	10 mm
Material	Housing : PC (polycarbonate); PA66 (polyamide)
Dimensions (HxWxD) mm	23x23x32
Product weight	0.015 kg

Dimensions (mm)



Environment	
Product certifications	RCM

Mechanisms and Modules (continued)

40USM

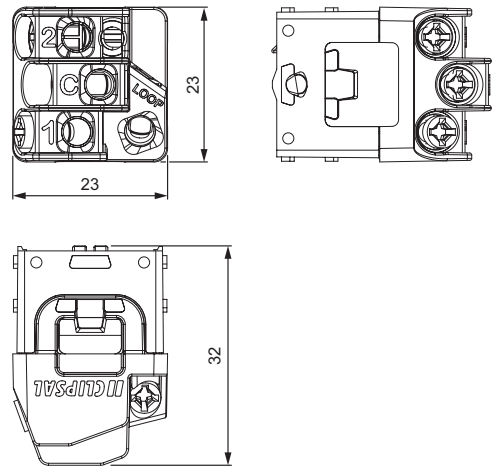
40 Series modules - 1/2 way switch mechanism 20 A - 16 AX 250 V

Main	
Range	40 Series modules
Product type	Switch mechanism
Device presentation	Mechanism
Included equipment	Switch
Device application	Lighting
Mounted method	Locking bar
Type of packing	Polybag
Pack Size	Set of 20
Electrical Rating	20 A - 16 AX, 250 Vac 50 Hz



Complementary	
Switch function	1/2-way
Ambient air temperature for storage	0...60 °C
Motor M-rating AS3133	M80
Load type	Inductive, Light, Fluorescent lamp, and LED
Ambient air temperature for operation	0...45 °C
Relative humidity	10...95 %
Electrical durability	10,000 operations @ 20 A, conforming to AS/NZS 60669
Connections - terminals	4 x screw terminals
Screwdriver shape	Philips (No 2); Square drive No 1 (SQ1)
Cable size capacity	4 x 1.5 mm ² ; 3 x 2.5 mm ²
Wire stripping length	10 mm
Material	Housing : PC (polycarbonate); PA66 (polyamide)
Dimensions (HxWxD) mm	23x23x32
Product weight	0.016 kg

Dimensions (mm)



Environment	
Product certifications	RCM

Mechanisms and Modules (continued)

P40MBPR

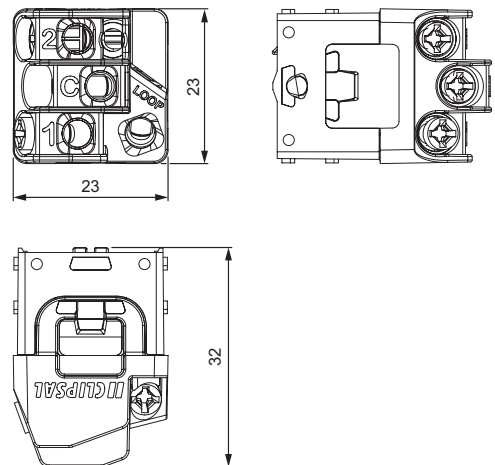
40 Series modules - Bell press return switch mechanism 10 AX 250 V

Main	
Range	40 Series modules
Product type	Switch mechanism
Device presentation	Mechanism
Included equipment	Switch
Device application	Bell Press
Mounted method	Locking bar
Type of packing	Polybag
Pack Size	Set of 20
Electrical Rating	10 AX - 250 Vac, 50 Hz



Complementary	
Switch function	1-pole 1 x NO / 1 x NC contacts
Ambient air temperature for storage	0...60 °C
Motor M-rating AS3133	M80
Load type	Inductive, Light, and Fluorescent lamp
Ambient air temperature for operation	0...45 °C
Relative humidity	10...95 %
Electrical durability	20000 cycles, conforming to AS/NZS 60669
Connections - terminals	4 x screw terminals
Screwdriver shape	Philips (No 2); Square drive No 1 (SQ1)
Cable size capacity	4 x 1.5mm ² , 3 x 2.5mm ² and 1 x 4mm ²
Wire stripping length	10 mm
Material	Housing : PC (polycarbonate); PA66 (polyamide)
Marking	Press
Dimensions (HxWxD) mm	23x23x32
Product weight	0.016 kg

Dimensions (mm)



Environment	
Product certifications	RCM

Mechanisms and Modules (continued)

P40M32COOK

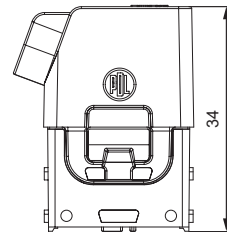
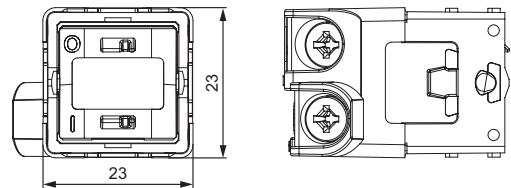
40 Series modules - 1 way switch mechanism labelled COOKER
32 A 250 V

Main	
Range	40 Series modules
Product type	Switch mechanism
Device presentation	Mechanism with rocker
Included equipment	Switch and Rocker
Device application	Cooking appliances
Mounted method	Locking bar
Colour	White (XW)
Type of packing	Polybag
Pack Size	Set of 20
Electrical Rating	32 A - 250 Vac, 50 Hz



Complementary	
Switch function	1-way
Actuator	Rocker
Marking	Cooker
Surface finish	Gloss
Surface treatment	Untreated
Ambient air temperature for storage	0...60 °C
Motor M-rating AS3133	M100
Load type	Inductive
Ambient air temperature for operation	0...45 °C
Relative humidity	10...95 %
Electrical durability	10,000 operations @ 32 A, conforming to AS/NZS 60669
Connections - terminals	2 x screw terminals
Screwdriver shape	Philips (No 2); Square drive No 1 (SQ1)
Cable size capacity	4 x 1.5mm ² , 3 x 2.5mm ² and 1 x 4mm ²
Wire stripping length	10 mm
Material	Housing : PC (polycarbonate); PA66 (polyamide) Dolly : PC (polycarbonate) Dolly : ABS (acrylonitrile butadiene-styrene)
Dimensions (HxWxD) mm	23x23x34
Product weight	0.016 kg

Dimensions (mm)



Environment	
Product certifications	RCM

Mechanisms and Modules (continued)

P40MD10

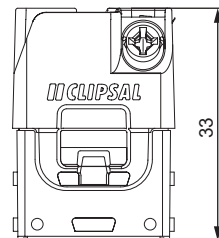
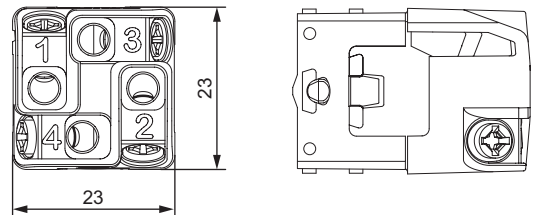
40 Series modules - Switch mechanism double pole 10 AX 250 V

Main	
Range	40 Series modules
Product type	Switch mechanism
Device presentation	Mechanism with rocker
Included equipment	Switch
Device application	Lighting, Appliances, and Small motor loads
Mounted method	Locking bar
Type of packing	Polybag
Pack Size	Set of 20
Electrical Rating	10 AX - 250 Vac, 50 Hz



Complementary	
Switch function	2-pole 1-way
Surface finish	Gloss
Surface treatment	Untreated
Ambient air temperature for storage	0...60 °C
Motor M-rating AS3133	M100
Load type	Inductive, Light and Fluorescent lamp
Ambient air temperature for operation	0...45 °C
Relative humidity	10...95 %
Electrical durability	40,000 operations @ 10 A, conforming to AS/NZS 60669
Connections - terminals	4 x screw terminals
Screwdriver shape	Philips (No 2); Square drive No 1 (SQ1)
Cable size capacity	4 x 1.5mm ² , 3 x 2.5mm ² and 1 x 4mm ²
Wire stripping length	10 mm
Material	Housing : PC (polycarbonate); PA66 (polyamide)
Dimensions (HxWxD) mm	23x23x33
Product weight	0.016 kg

Dimensions (mm)



Environment	
Product certifications	RCM

Mechanisms and Modules (continued)

P40MD20

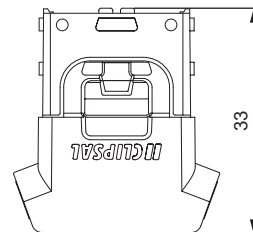
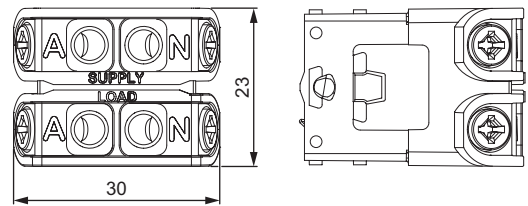
40 Series modules - Switch mechanism double pole 20 AX 250 V

Main	
Range	40 Series modules
Product type	Switch mechanism
Device presentation	Mechanism with rocker
Included equipment	Switch
Device application	Lighting, Appliances, and Small motor loads
Mounted method	Locking bar
Type of packing	Polybag
Pack Size	Set of 20
Electrical Rating	20 AX - 250 Vac, 50 Hz



Complementary	
Switch function	2-pole 1-way
Surface finish	Gloss
Surface treatment	Untreated
Ambient air temperature for storage	0...60 °C
Motor M-rating AS3133	M100
Load type	Inductive, Light and Fluorescent lamp
Ambient air temperature for operation	0...45 °C
Relative humidity	10...95 %
Electrical durability	10,000 operations @ 20 A, conforming to AS/NZS 60669
Connections - terminals	4 x screw terminals
Screwdriver shape	Philips (No 2); Square drive No 1 (SQ1)
Cable size capacity	4 x 1.5mm ² , 3 x 2.5mm ² and 1 x 4mm ²
Wire stripping length	10 mm
Material	Housing : PC (polycarbonate); PA66 (polyamide)
Dimensions (HxWxD) mm	23x30x33
Product weight	0.016 kg

Dimensions (mm)



Environment	
Product certifications	RCM

Mechanisms and Modules (continued)

40MI

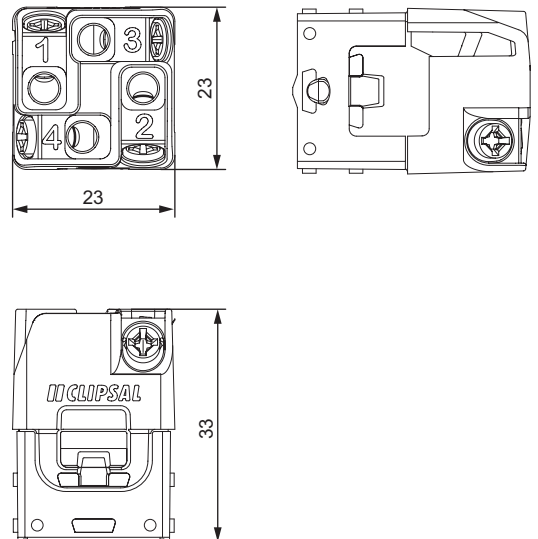
40 Series modules - Switch mechanism intermediate 10 AX 250 V

Main	
Range	40 Series modules
Product type	Switch mechanism
Device presentation	Mechanism
Included equipment	Switch
Device application	Lighting
Mounted method	Locking bar
Type of packing	Polybag
Pack Size	Set of 20
Electrical Rating	10 AX - 250 Vac, 50 Hz



Complementary	
Switch function	Intermediate
Ambient air temperature for storage	0...60 °C
Load type	Inductive and Light
Ambient air temperature for operation	0...45 °C
Relative humidity	10...95 %
Electrical durability	40,000 operations @ 10 A, conforming to AS/NZS 60669
Connections - terminals	4 x screw terminals
Screwdriver shape	Philips (No 2); Square drive No 1 (SQ1)
Cable size capacity	4 x 1.5 mm ² ; 3 x 2.5 mm ²
Wire stripping length	10 mm
Material	Housing : PC (polycarbonate); PA66 (polyamide)
Dimensions (HxWxD) mm	23x23x33
Product weight	0.015 kg

Dimensions (mm)



Environment	
Product certifications	RCM

Mechanisms and Modules (continued)

P40RSM3

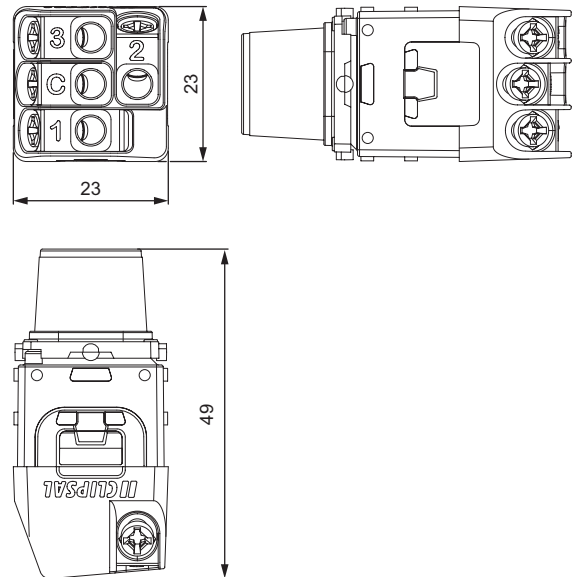
40 Series modules - Switch mechanism 4 position rotary labelled 0-1-2-3 10 A 250 V

Main	
Range	40 Series modules
Product type	Switch mechanism
Device presentation	Mechanism with Knob
Included equipment	Switch, Knob, Carrier labelled with switch position
Device application	Small appliances
Mounted method	Locking bar
Colour	White (XW)
Type of packing	Polybag
Pack Size	Set of 20
Electrical Rating	10 A - 250 Vac, 50 Hz



Complementary	
Switch function	4 positions
Control type	Rotary Knob
Actuator	Rotary
Marking	0 - 1 - 2 - 3
Surface finish	Gloss
Surface treatment	Untreated
Ambient air temperature for storage	0...60 °C
Motor M-rating AS3133	M40
Load type	Inductive and Motor
Ambient air temperature for operation	0...45 °C
Relative humidity	10...95 %
Electrical durability	12,000 operating cycles @ 10 A, conforming to AS/NZS 3133
Connections - terminals	4 x screw terminals
Screwdriver shape	Philips (No 2); Square drive No 1 (SQ1)
Cable size capacity	4 x 1.5 mm ² ; 3 x 2.5 mm ²
Wire stripping length	10 mm
Material	Housing : PC (polycarbonate); PA66 (polyamide) Knob : PC (polycarbonate) Knob cap : ABS (acrylonitrile butadiene-styrene)
Dimensions (HxWxD) mm	23x23x49
Product weight	0.019 kg

Dimensions (mm)



Environment	
Product certifications	RCM

Mechanisms and Modules (continued)

P40RSM2

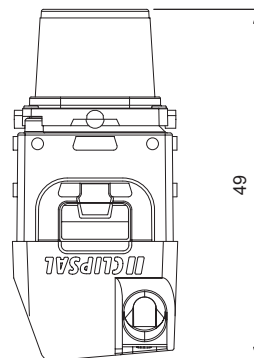
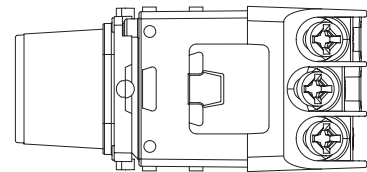
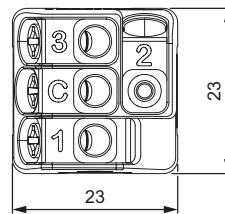
40 Series modules - Switch mechanism 4 position rotary labelled
0-1-0-2 10 A 250 V

Main	
Range	40 Series modules
Product type	Switch mechanism
Device presentation	Mechanism with Knob
Included equipment	Switch, Knob, Carrier labelled with switch position
Device application	Lighting
Mounted method	Locking bar
Colour	White (XW)
Type of packing	Polybag
Pack Size	Set of 20
Electrical Rating	10 A - 250 Vac, 50 Hz



Complementary	
Switch function	4 positions
Control type	Rotary Knob
Actuator	Rotary
Marking	0 - 1 - 0 - 2
Surface finish	Gloss
Surface treatment	Untreated
Ambient air temperature for storage	0...60 °C
Motor M-rating AS3133	M40
Load type	Inductive and Motor
Ambient air temperature for operation	0...45 °C
Relative humidity	10...95 %
Electrical durability	12,000 operating cycles @ 10 A, conforming to AS/NZS 3133
Connections - terminals	4 x screw terminals
Screwdriver shape	Philips (No 2); Square drive No 1 (SQ1)
Cable size capacity	4 x 1.5 mm ² ; 3 x 2.5 mm ²
Wire stripping length	10 mm
Material	Housing : PC (polycarbonate); PA66 (polyamide) Knob : PC (polycarbonate) Knob cap : ABS (acrylonitrile butadiene-styrene)
Dimensions (HxWxD) mm	23x23x49
Product weight	0.019 kg

Dimensions (mm)



Environment	
Product certifications	RCM

Mechanisms and Modules (continued)

P49M

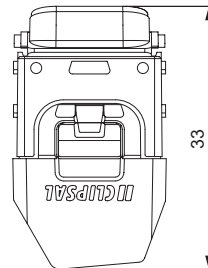
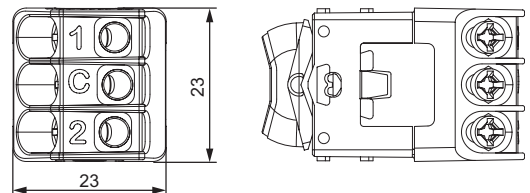
40 Series modules - Switch mechanism 3 position 10 AX 250 V

Main	
Range	40 Series modules
Product type	Switch mechanism
Device presentation	Mechanism with rocker
Included equipment	Switch and Rocker
Device application	Lighting
Mounted method	Locking bar
Colour	White (XW)
Type of packing	Polybag
Pack Size	Set of 20
Electrical Rating	10 AX - 250 Vac, 50 Hz

Complementary	
Switch function	3 positions
Control type	Rocker
Actuator	Rocker
Surface finish	Gloss
Surface treatment	Untreated
Ambient air temperature for storage	0...60 °C
Motor M-rating AS3133	M40
Load type	Inductive and Light
Ambient air temperature for operation	0...45 °C
Relative humidity	10...95 %
Electrical durability	40,000 operations @ 10 A, conforming to AS/NZS 60669
Connections - terminals	3 x screw terminals
Screwdriver shape	Philips (No 2); Square drive No 1 (SQ1)
Cable size capacity	4 x 1.5 mm ² ; 3 x 2.5 mm ²
Wire stripping length	10 mm
Material	Housing : PC (polycarbonate); PA66 (polyamide) Rocker : PC (polycarbonate) Rocker : ABS (acrylonitrile butadiene-styrene)
Dimensions (HxWxD) mm	23x23x33
Product weight	0.017 kg



Dimensions (mm)



Environment	
Product certifications	RCM

Mechanisms and Modules (continued)

P49MBPR

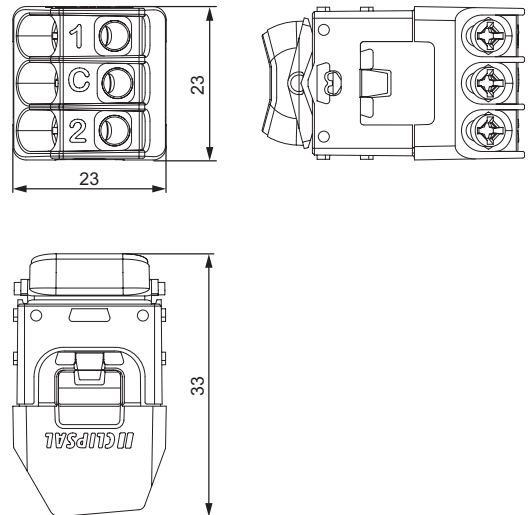
40 Series modules - Switch mechanism momentary Bell Press 3 position 10 A 250 V

Main	
Range	Clipsal Pro Series
Product type	Switch mechanism
Device presentation	Mechanism with rocker
Included equipment	Switch, Rocker
Device application	Blind / Roller door control
Mounted method	Locking bar
Colour	White (XW)
Type of packing	Polybag
Pack Size	Set of 20
Electrical Rating	10 A - 250 Vac, 50 Hz



Complementary	
Switch function	3 positions
Control type	Rocker
Actuator	Rocker
Surface finish	Gloss
Surface treatment	Untreated
Ambient air temperature for storage	0...60 °C
Motor M-rating AS3133	M40
Load type	Inductive and Light
Ambient air temperature for operation	0...45 °C
Relative humidity	10...95 %
Electrical durability	40,000 operations @ 10 A, conforming to AS/NZS 60669
Connections - terminals	4 x screw terminals
Screwdriver shape	Philips (No 2); Square drive No 1 (SQ1)
Cable size capacity	4 x 1.5 mm ² ; 3 x 2.5 mm ²
Wire stripping length	10 mm
Material	Housing : PC (polycarbonate); PA66 (polyamide)
Dimensions (HxWxD) mm	23x23x33
Product weight	0.017 kg

Dimensions (mm)



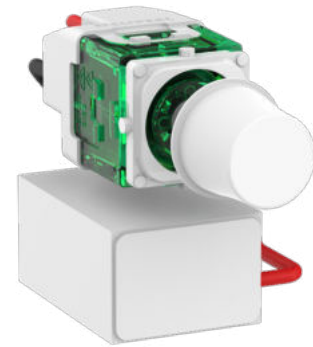
Environment	
Product certifications	RCM

Mechanisms and Modules (continued)

P40CSFM

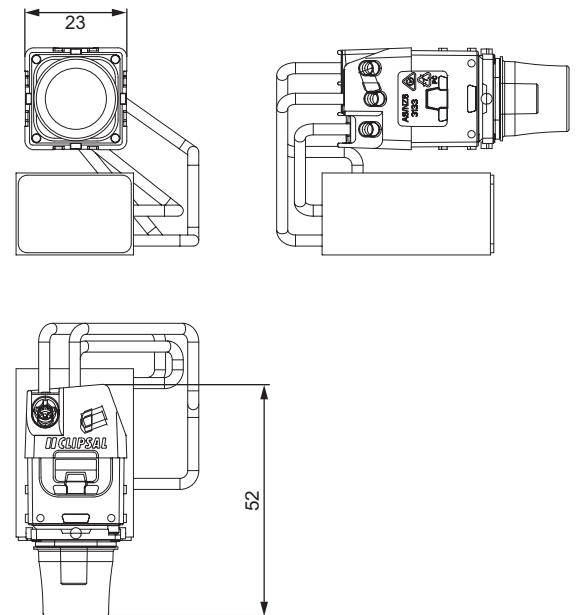
Pro Series - 4 position rotary switch mechanism plus capacitor
10 A 250 V

Main	
Range	Clipsal Pro Series
Product type	Switch mechanism
Device presentation	Mechanism
Included equipment	Capacitor, Switch, Knob
Device application	Fan speed controller
Mounted method	Locking bar
Colour	White (XW)
Type of packing	Polybag
Pack Size	Set of 20
Electrical Rating	75 VA - 250 Vac, 50 Hz



Complementary	
Switch function	4 positions
Control type	Rotary Knob
Actuator	Rotary
Marking	0 - 1 - 2 - 3
Surface finish	Gloss
Surface treatment	Untreated
Ambient air temperature for storage	0...60 °C
Motor M-rating AS3133	M40
Load type	75 VA
Ambient air temperature for operation	0...45 °C
Relative humidity	10...95 %
Electrical durability	12,000 operating cycles @ 10A, conforming to AS/NZS 3133
Connections - terminals	4 x screw terminals
Screwdriver shape	Philips (No 2); Square drive No 1 (SQ1)
Cable size capacity	4 x 1.5 mm ² ; 3 x 2.5 mm ²
Wire stripping length	10 mm
Material	Housing : PC (polycarbonate); PA66 (polyamide) Knob : PC (polycarbonate) Knob cap : ABS (acrylonitrile butadiene-styrene)
Dimensions (HxWxD) mm	23x23x52
Product weight	0.048 kg

Dimensions (mm)



Environment	
Product certifications	RCM

Mechanisms and Modules (continued)

P40MLEDBW

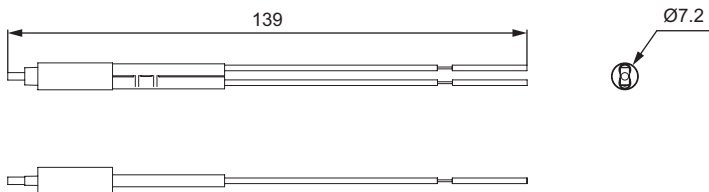
40 Series modules - Plug-in LED indicator for 2 way switches 250 V

Main	
Range	Clipsal Pro Series
Product or component type	Accessory
LED colour	Bright white
Colour	White (XW), Black (BK)
Quantity per set	Set of 10
Sale per indivisible quantity	10

Complementary	
Product destination	Signalling device
Power consumption in W	60 mW
Rated voltage	250 V, current consumption : 0.002 mA
Dimensions (HxWxD) mm	23x23x32
Product weight	0.01 kg



Dimensions (mm)



Mechanisms and Modules (continued)

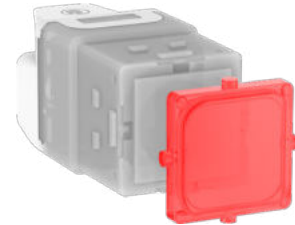
40N

40 Series modules – Module LED Power Indicator

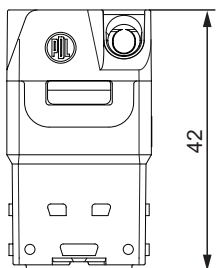
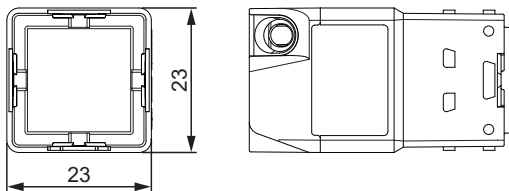
Main	
Range	40 series modules
Product type	Power indicator
Device presentation	Module
Device application	Indicator
Mounted method	Locking bar
Colour	Red (RD), Green (GR), Amber (AM)
Type of packing	Polybag
Pack Size	Set of 20
Electrical Rating	250 V AC

Complementary	
Connections - terminals	4 x screw terminals
Screwdriver shape	Philips (No 2); Square drive No 1 (SQ1)
Current	2 x 11 mA
Power	2 x 2.5 W
Cable size capacity	4 x 1.5 mm ² ; 3 x 2.5 mm ²
Wire stripping length	10 mm
Material	Housing : PC (polycarbonate); PA66 (polyamide) Lens : PC (polycarbonate) Lens : ABS (acrylonitrile butadiene-styrene)
Dimensions (HxWxD) mm	23x23x42
Product weight	0.016 kg

Environment	
Product certifications	RCM



Dimensions (mm)



Mechanisms and Modules (continued)

40N24

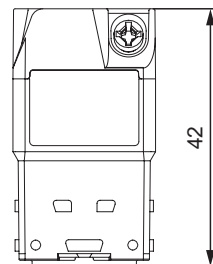
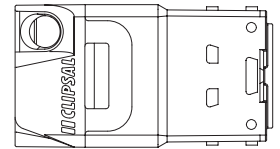
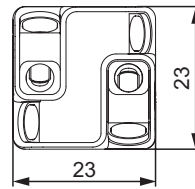
Mech LED Power Available Green 24 V

Main	
Range	Clipsal Pro Series
Product type	Indicator module
Device presentation	Mechanism with central plate
Colour	Green (GR)
Type of packing	Polybag



Complementary	
Device mounting	Clip with locking bar
Current	11 mA
Power	0.3 W
[Ue] rated operational voltage	24 V AC/DC
Local signalling	LED
Surface treatment	Untreated
Material	Housing: PC (polycarbonate) Housing: PA66
Dimensions (HxWxD) mm	23x23x32
Product weight	0.016 kg

Dimensions (mm)



Environment	
Product certifications	

Mechanisms and Modules (continued)

40NPA

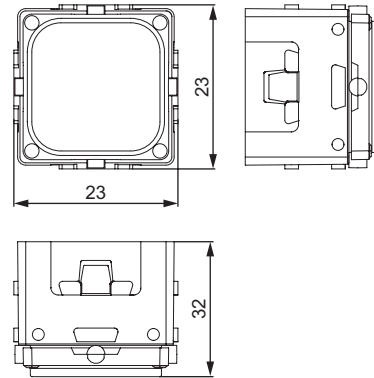
Mech LED Marked Power Available Amber

Main	
Range	Clipsal Pro Series
Product type	Indicator module
Device presentation	Mechanism with central plate
Colour	Amber (AM)
Type of packing	Polybag



Complementary	
Device mounting	Clip with locking bar
Current	11 mA
Power	2.5 W
[Ue] rated operational voltage	240 V AC
Local signalling	LED
Surface treatment	Untreated
Material	Housing: PC (polycarbonate) Housing: PA66
Dimensions (HxWxD) mm	23x23x32
Product weight	0.016 kg

Dimensions (mm)



Environment	
Product certifications	

Electronic Accessories

P41E10PBSWM

Connected switch (10 A)

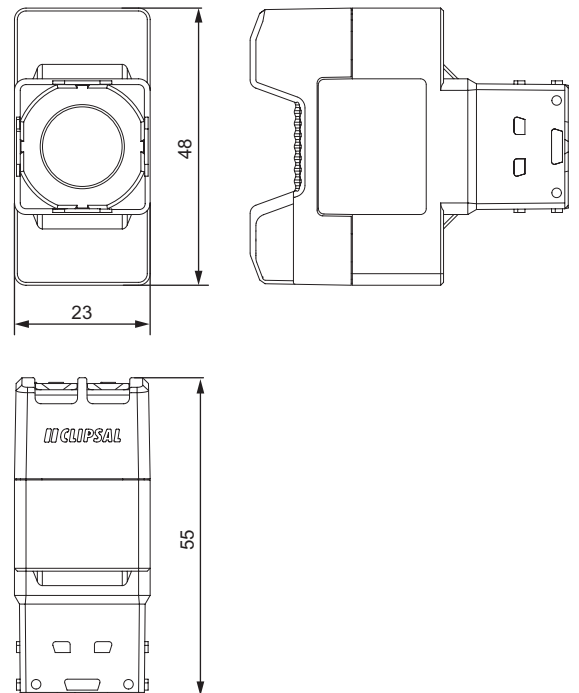
Main	
Range	Clipsal Pro Series
Product type	Electronic switch
Device presentation	Mechanism with central plate
Control type	Rocker
Colour	White (XW)
Type of packing	Polybag
Quantity per set	Set of 6
Rated current	10 A



Complementary	
[Ue] rated operational voltage	240 V
Surface finish	Gloss
Surface treatment	Untreated
Fixing mode	By clips
Ambient air temperature for operation	0-45 °C
Relative humidity	10-95 %
Connections - terminals	Screw terminal
Clamping connection capacity	1 x 1.5...4 x 1.5 mm ² ; 3 x 2.5 mm ² and 1 x 4 mm ²
Material	PC (polycarbonate); PA66; ABS (acrylonitrile butadiene-styrene)
Dimensions (HxWxD) mm	23x23x33
Product weight	0.016 kg

Environment	
Product certifications	RCM

Dimensions (mm)



Electronic accessories (continued)

P41EPBDWCLM

Connected Push-Button Dimmer

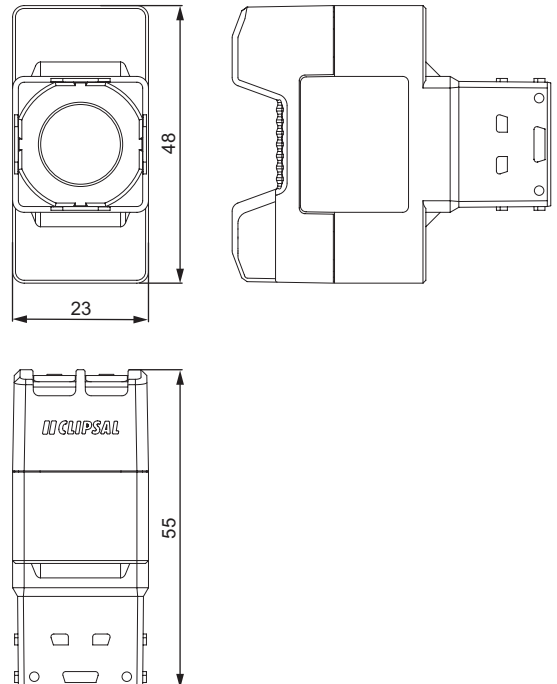
Main	
Range	Clipsal Pro Series
Product type	Dimmer
Device presentation	Mechanism
Dimmer type	Universal
Control type	Push-button; ControlLink
Colour	White (XW)
Type of packing	Box

Complementary	
Surface finish	Gloss
Fixing mode	Clip-in
Protection type	Short-circuit
Ambient air temperature for storage	5-40 °C
Ambient air temperature for operation	5-40 °C
Relative humidity	5-90 %
Connections - terminals	Screw terminal
Clamping connection capacity	1.5...2.5 mm ² ; 1.5...2.5 mm ²
Material	PC (polycarbonate) GF10 FR; Metal
Dimensions (HxWxD) mm	22x48x66
Product weight	0.05 kg

Environment	
Product certifications	RCM



Dimensions (mm)



Electronic accessories (continued)

P41E300PBUD2SM

PB Dimmer with CTL

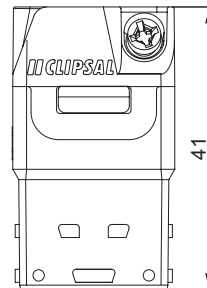
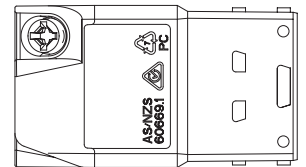
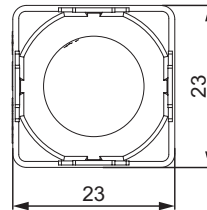
Main	
Range	Clipsal Pro Series
Product type	Dimmer
Device presentation	Mechanism
Dimmer type	Universal
Control type	Push-button; ControlLink
Colour	White (XW)
Type of packing	Box

Complementary	
Surface finish	Gloss
Fixing mode	Clip-in
[Ue] rated operational voltage	220...240 Vac, 50 Hz
Protection type	Short-circuit
Load type	Dimmable LED; Low voltage halogen lamp with iron core transformer; Incandescent
Ambient air temperature for storage	0-60 °C
Ambient air temperature for operation	0-45 °C
Relative humidity	5-90 %
Connections - terminals	Screw terminal
Clamping connection capacity	3 x 1.5 mm ²
Material	
Dimensions (HxWxD) mm	23x23x41
Product weight	0.05 kg

Environment	
Product certifications	RCM



Dimensions (mm)



Electronic accessories (continued)

P41EPBCLM

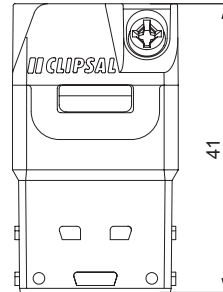
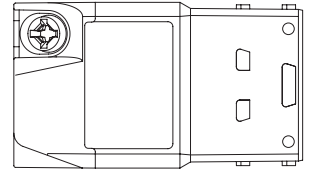
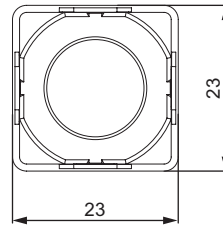
Smart PB remote mech with CTL and LED

Main	
Range	Clipsal Pro Series
Product type	Remote control auxiliary
Device presentation	Mechanism with central plate
Control type	Push-button
Colour	White (XW)
Type of packing	Polybag
Quantity per set	Set of 6
Rated current	10 A



Complementary	
Switch function	Remote switch function
[Ue] rated operational voltage	240 V
Surface finish	Gloss
Surface treatment	Untreated
Fixing mode	By clips
Ambient air temperature for operation	0-45 °C
Relative humidity	10-95 %
Connections - terminals	Screw terminal
Clamping connection capacity	1 x 1.5...4 x 1.5 mm ² ; 3 x 2.5 mm ² and 1 x 4 mm ²
Material	PC (polycarbonate); PA66; ABS (acrylonitrile butadiene-styrene)
Dimensions (HxWxD) mm	23x23x32
Product weight	0.016 kg

Dimensions (mm)



Environment	
Product certifications	RCM

Electronic accessories (continued)

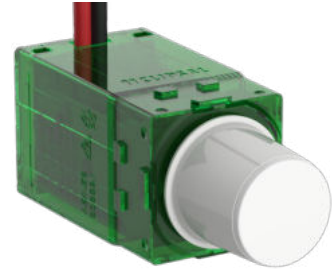
P42E350RLD2M

Rotary Dimmer

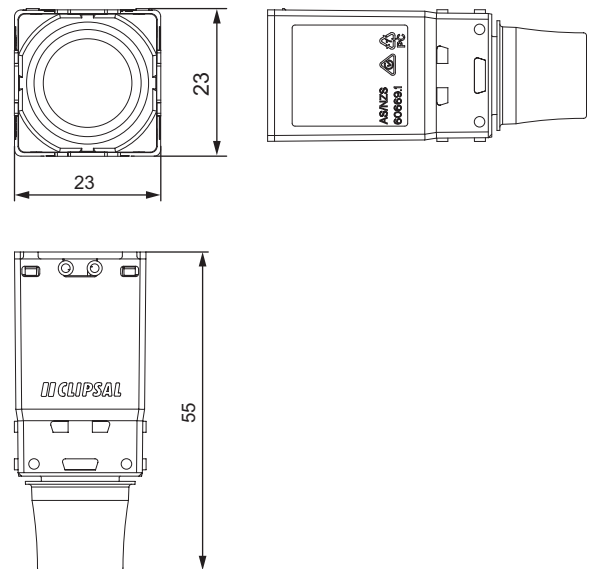
Main	
Range	Clipsal Pro Series
Product type	Dimmer
Device presentation	Mechanism
Dimmer type	Universal
Control type	Rotary knob
Colour	White (XW)
Type of packing	Box

Complementary	
Surface finish	Gloss
Fixing mode	Clip-in
[Ue] rated operational voltage	220...240 Vac, 50 Hz
Protection type	Short-circuit
Load type	Dimmable LED; Incandescent; low voltage halogen lamp with electronic transformer; dimmable fluocompact lamp; dimmable fluorescent
Ambient air temperature for storage	0-60 °C
Ambient air temperature for operation	0-45 °C
Relative humidity	0-90 %
Connections - terminals	Flying leads
Clamping connection capacity	3 x 1.5 mm ²
Local signalling	LED
Material	PC (UL94 V-2); PC MAS056 (UL94 V-2)
Dimensions (HxWxD) mm	23x23x39
Product weight	0.05 kg

Environment	
Product certifications	RCM



Dimensions (mm)



Electronic accessories (continued)

P40APB

PB Mech Colour Cap

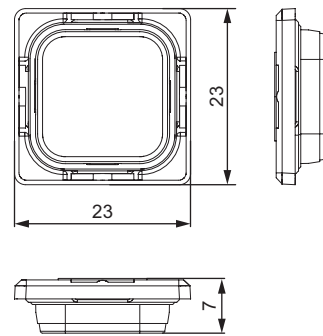
Main	
Range	Clipsal Pro Series
Product type	Cap
Product destination	Push-button
Colour	Vivid white (VW)
Quantity per set	Set of 5

Complementary	
Device mounting	Flush
Dimensions (HxWxD) mm	23x23x7
Product weight	0.0025 kg

Environment	
Product certifications	RCM



Dimensions (mm)



Electronic accessories (continued)

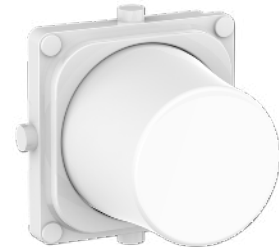
P40EDIMKB

Rotary dimmer knob parts pack white

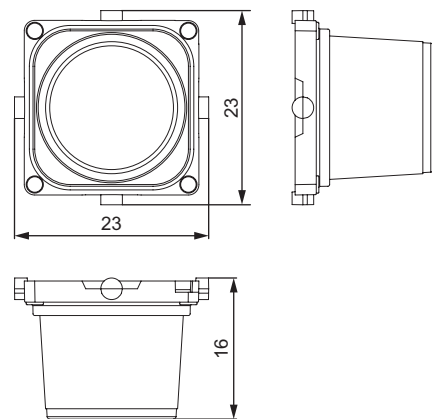
Main	
Range	Clipsal Pro Series
Product type	Knob kit
Product destination	Dimmer
Colour	White (XW)
Quantity per set	Set of 50

Complementary	
Device mounting	Flush
Material	ABS (acrylonitrile butadiene-styrene)
Dimensions (HxWxD) mm	23x23x6
Product weight	0.0025 kg

Environment	
Product certifications	RCM



Dimensions (mm)



Electronic accessories (continued)

41EPBM

Simple pushbutton ControlLink (CTL)

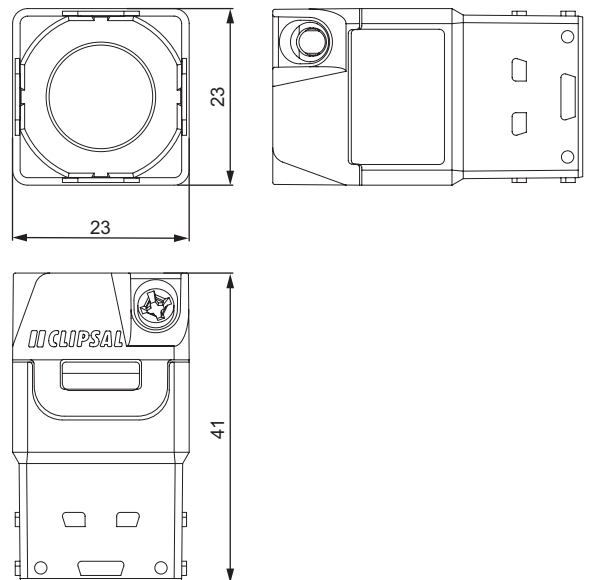
Main	
Range	Clipsal Pro Series
Product type	Timer
Device presentation	Mechanism
Fixing mode	Clip-in
Colour	Vivid white (VW)
Type of packing	Box

Complementary	
Device mounting	Flush
Actuator	Push-button
Surface finish	Matt
Ambient air temperature for storage	0-60 °C
Sale per indivisible quantity	1
[Ue] rated operational voltage	220...240 Vac, 50 Hz
Operating distance	30 m
Control signal type	ControlLink
Ambient air temperature for operation	0-45 °C
Relative humidity	0-90 %
Connections - terminals	Screw terminals
Material	PC (UL94 V-2) PC MAS056 (UL94 V-2)
Dimensions (HxWxD) mm	23x23x40

Environment	
Standards	AS/NZS 60669.2.1



Dimensions (mm)



Electronic accessories (continued)

42E350RUD2M

350 W Universal Rotary Dimmer

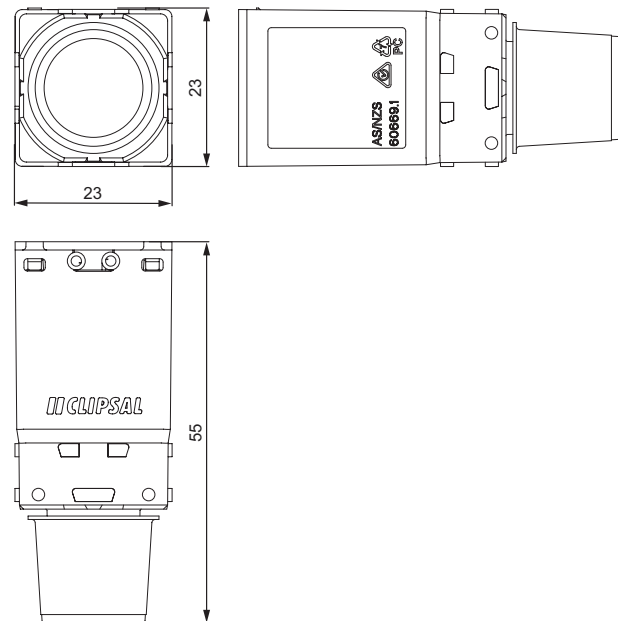
Main	
Range	Clipsal Pro Series
Product type	Dimmer
Device presentation	Mechanism
Dimmer type	Universal
Control type	Rotary knob
Fixing mode	Clip-in
Colour	Vivid white (VW)
Type of packing	Box

Complementary	
[I _e] rated operational current	1.5 A
[U _e] rated operational voltage	220...240 Vac 50 Hz
Load type	Dimmable LED; Incandescent; Low voltage halogen lamp with electronic transformer; Dimmable fluocompact lamp; Low voltage halogen lamp with iron core transformer; Dimmable fluorescent
Protection type	Short-circuit
Ambient air temperature for operation	0-45 °C
Relative humidity	0-90 %
Connections - terminals	Flying leads
Material	PC (UL94 V-2) PC MAS056 (UL94 V-2)
Dimensions (HxWxD) mm	23x23x39

Environment	
Standards	AS/NZS 60669.2.1



Dimensions (mm)



Electronic accessories (continued)

41EPIRM

PIR motion sensor with load output

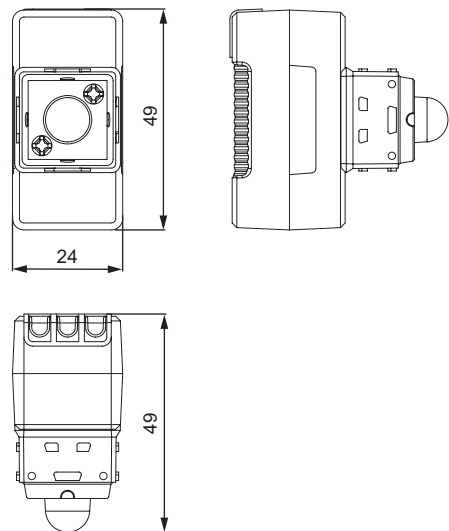
Main	
Range	Clipsal Pro Series
Product type	Movement detector
Device application	Power circuit application; Lighting
Device mounting	Wall mounted
Provided equipment	Carrier; Finishing accessory
Fixing mode	Clip-in
Colour	Vivid white (VW)
Type of packing	Box

Complementary	
Power consumption	1 W
[Ue] rated operational voltage	220/240 V
Maximum load current	3 A
Protection type	Input surge protection
Ambient air temperature for operation	-10-50 °C
Ambient air temperature for storage	-20-60 °C
Relative humidity	5-90 %
Detection angle	100° (horizontal); 82° (vertical)
Light intensity adjustment	10-2000 lux
Material	Plastic
Movement detection area	5 m
Dimensions (HxWxD) mm	23x23x39

Environment	
Standards	AS/NZS 60669.2.1



Dimensions (mm)



Network Connectivity



Audio Connectors

40BC/2

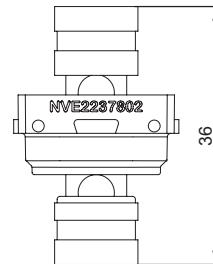
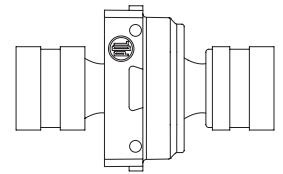
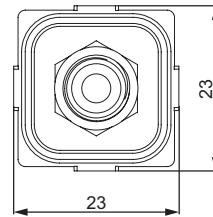
40 Series modules - 2x Banana audio connectors red & black - screwed

Main	
Range	Clipsal Pro Series
Product type	Audio socket
Type of connector	Banana
Device presentation	Module
Mounted method	Locking bar
Pack Size	Set of 10



Complementary	
Device mounting	Flush
Socket number	2
Range compatibility	Clipsal Pro Series audio socket
Number of modules	1 module
Colour	Translucent
Surface finish	Gloss
Material	PC (polycarbonate)
Contacts material	Gold plated
Dimensions (HxWxD) mm	23x23x36
Product weight	0.034 kg

Dimensions (mm)



Environment	
Environmental characteristic	REACH

Audio Connectors (continued)

40SPK/2

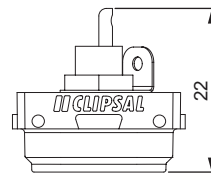
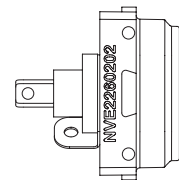
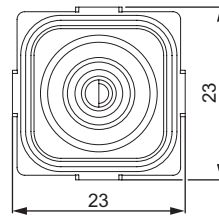
40 Series modules - 2x RCA audio sockets red and black - rear solder

Main	
Range	Clipsal Pro Series
Product type	Female connector
Type of connector	RCA
Device presentation	Module
Mounted method	Locking bar
Pack Size	Set of 10



Complementary	
Device mounting	Flush
Socket number	2
Range compatibility	Clipsal Pro Series media socket
Number of modules	2 module
Colour	Translucent
Surface finish	Gloss
Connections - terminals	Solder terminal rear
Material	PC (polycarbonate)
Contacts material	Gold plated
Dimensions (HxWxD) mm	23x23x22
Product weight	0.012 kg

Dimensions (mm)



Environment	
Environmental characteristic	REACH

TV Sockets and Plates

40FFPMS

40 Series modules - TV socket coaxial PAL - F TYPE - 75 Ohm

Main

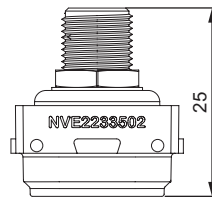
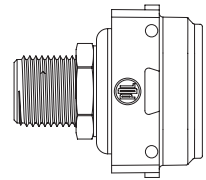
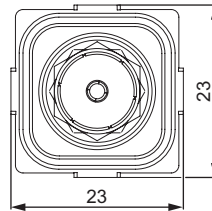
Range	Clipsal Pro Series
Product type	TV socket
Device presentation	Module
Type of packing	Polybag
Pack Size	Set of 10



Complementary

Device mounting	Flush
Number of modules	1 module 23 x 23 x 25 mm
Mounted method	Locking bar
Colour	Translucent
Surface finish	Gloss
Surface treatment	Untreated
TV socket type	TV
TV connector	PAL to F-type
Cable outer diameter	9 mm
Material	PC (polycarbonate)

Dimensions (mm)



Environment

Environmental characteristic	REACH
------------------------------	-------

TV Sockets and Plates (continued)

40PFM

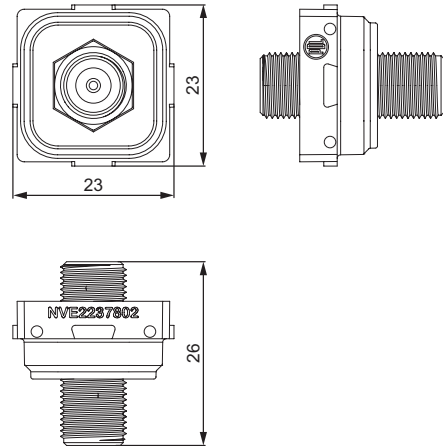
40 Series modules - TV socket coaxial F Type - F TYPE - 3 GHZ - Foxtel Approved

Main	
Range	Clipsal Pro Series
Product type	TV socket
Device presentation	Module
Type of packing	Polybag
Pack size	Set of 10



Complementary	
Device mounting	Flush
Number of modules	1 module 23 x 23 x 26 mm
Mounted method	Locking bar
Colour	Translucent
Surface finish	Gloss
Surface treatment	Untreated
TV socket type	TV
TV connector	F-type to F-type
Cable outer diameter	9 mm
Material	PC (polycarbonate)

Dimensions (mm)



Environment	
Environmental characteristic	REACH

HDMI Sockets

40HDMI/A

40 Series modules - HDMI socket 90 degree

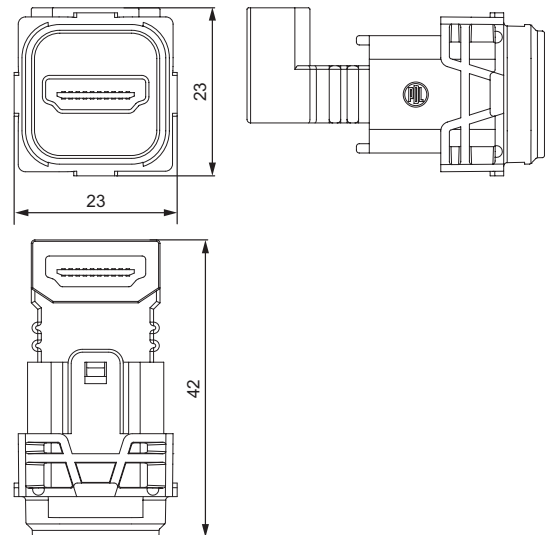
Main	
Range	Clipsal Pro Series
Product type	Female connector
Type of connector	HDMI
Device presentation	Module
Mounted method	Locking bar
Pack Size	Set of 10

Complementary	
Device mounting	Flush
Socket number	1
Range compatibility	Clipsal Pro Series media socket
Number of modules	1 module
Colour	Translucent
Surface finish	Gloss
Material	PC (polycarbonate)
Contacts material	Gold plated
Dimensions (HxWxD) mm	23x23x42
Product weight	0.015 kg

Environment	
Environmental characteristic	REACH



Dimensions (mm)



HDMI Sockets (continued)

40HDMIS

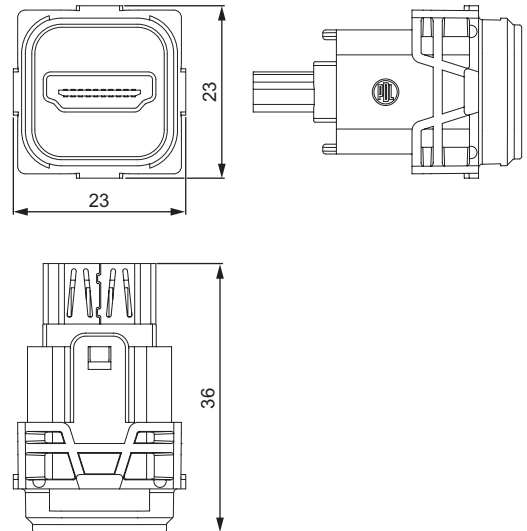
40 Series modules - HDMI socket straight through

Main	
Range	Clipsal Pro Series
Product type	Female connector
Type of connector	HDMI
Device presentation	Module
Mounted method	Locking bar
Pack Size	Set of 10



Complementary	
Device mounting	Flush
Socket number	1
Range compatibility	Clipsal Pro Series media socket
Number of modules	1 module
Colour	Translucent
Surface finish	Gloss
Material	PC (polycarbonate)
Contacts material	Gold plated
Dimensions (HxWxD) mm	23x23x36
Product weight	0.011 kg

Dimensions (mm)



Environment	
Environmental characteristic	REACH

Telephone Sockets

40RJ64SMT

40 Series modules - Telephone socket - RJ12 4 pin with telephone symbol

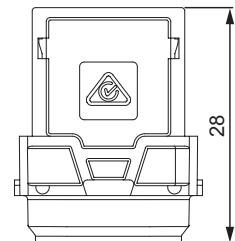
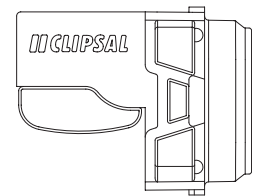
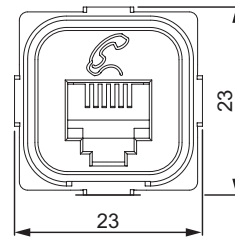
Main	
Range	Clipsal Pro Series
Product type	Telephone socket
Device presentation	Module

Complementary	
Device mounting	Flush
Provided equipment	Cable retention cap
Telephone socket type	RJ12 4
Colour	Translucent
Surface finish	Gloss
Type of packing	Polybag
Sale per indivisible quantity	1
Dimensions (HxWxD) mm	23x23x28
Product weight	0.006 kg
Standards	AS/NZS 3080 AS/CA S008

Environment	
Product certifications	RCM
Environmental characteristic	REACH



Dimensions (mm)



Actassi RJ 45 Sockets

40RJ45SMA5

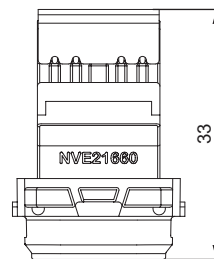
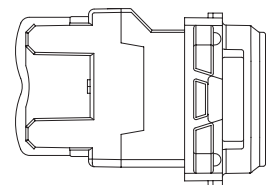
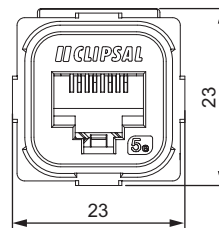
Actassi RJ45 Cat6 Connector Unshielded 40 Series module

Main	
Range	Actassi
Product type	RJ45 network socket
Type of footprint	40 Series module
Communication network category	5e
Cable shielding type	U/UTP
Communication network type	1000BASE-T
Communication port protocol	VoIP (Voice IP)
Colour code	568 A/B
Colour	Stuffer cap : transparent (ABS + PC) IDC cover : blue (ABS + PC) Connector housing : translucent (ABS + PC)



Complementary	
Standards	ANSI/TIA-568-C.2 IEC 60603-7-2 ISO/IEC 11801 ed. 2.1 ISO/IEC 11801 ed. 2.2, 2011 AS/NZS 3080 2010 AS/CA S008 2010
Product certifications	RCM
Permissible voltage	1000 Vac/dc, peak, between contacts
[In] rated current	1.5 A @25 °C
Insulation resistance	Initial insulation resistance : > 500 MOhm @100 Vdc
Resistance	<= 20 mOhm
AWG gauge	AWG 23...AWG 24
Cable outer diameter	0.9...1.4 mm
Pin number	8 pins in copper alloy and gold plated (IEC 60603-7)
Mechanical durability	750 cycles
Device presentation	Two piece design
Pack Size	Set of 20
Dimensions (HxWxD) mm	23x23x33
Transmission frequency	0...100 MHz
Coupling attenuation	>= 35 dB from 30...100 MHz >= 75 - 20 x log(f) dB from 100...1000 MHz
Transverse conversion loss	>= 50 dB >= 68 - 20 x log(f) dB from 1...100000 kHz
Pulling force	50 N during 60 s

Dimensions (mm)



Environment	
Ambient air temperature for operation	-40...70 °C
Climatic withstand	40/070/21 (21 days)
Environmental characteristic	PEP (Energy depletion) REACH

Actassi RJ 45 Sockets (continued)

40RJ45SMA5SHC

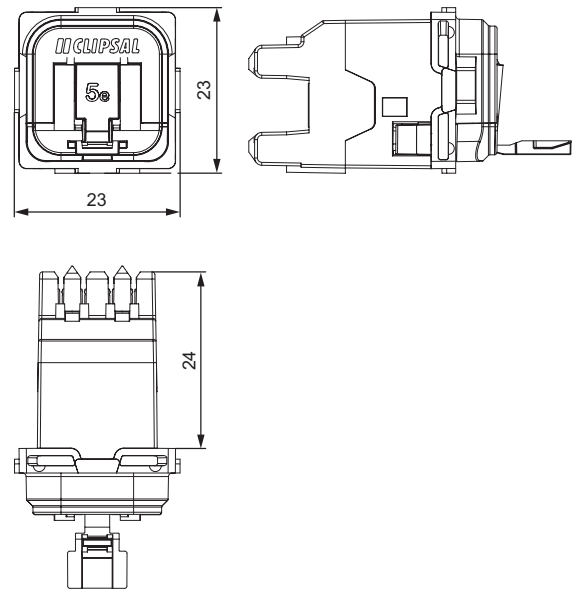
Actassi S-110 Modular Jack R45 40M Unshielded Cat5e Shutter

Main	
Range	Actassi
Product name	Actassi S-110
Product or component type	RJ45 connector
Device presentation	Two piece design
Colour tint	Connector housing : translucent (ABS + PC) Shutter : translucent (ABS + PC) Top cover : transparent (PC) IDC cover : green (PC)
Colour code	TIA-568A/B
Quantity per set	Set of 1



Complementary	
[In] rated current	1.5 A at 25 °C
Permissible voltage	1000 Vac/dc peak, between contacts
Contact resistance	20 mOhm
Insulation resistance	Initial insulation resistance : > 500 MOhm a 100 Vdc
AWG gauge	AWG 24...AWG 23
Mechanical durability	750 cycles
Pin number	8 pins of copper alloy and gold plated conforming to IEC 60603-7
Tool type	Punch down tool; Quick termination tool
Ambient air temperature for operation	-10...60 °C
Ambient air temperature for storage	-40...70 °C
Climatic withstand	40/070/21 21 days
Flame retardance	UL94-V0 conforming to UL listed
Cable outer diameter	0.9...1.4 mm
Cable shielding type	U/UTP
Communication network category	6
Communication network type	1000BASE-T
Communication port protocol	PoE+ (Power over Ethernet) PoE 15W (Power over Ethernet) PoE+ 30W (Power over Ethernet Plus) 4PPoE 100W (Power over Ethernet)
Connections - terminals	Insulation displacement contact
Product compatibility	RJ45 plug; RJ11 plug
Transmission frequency	1...250 MHz
Type of footprint	S-110 40 mech
Dimensions (HxWxD) mm	23x23x36

Dimensions (mm)



Environment	
Product certifications	UL listed
Standards	ISO/IEC 11801:2011 Ed.2.2 ANSI/TIA-568-C.2 IEC 60603-7-4 AS/NZS 3080:2003 UL 1863 IEC 60512-99-001 IEC 60512-99-002

Actassi RJ 45 Sockets (continued)

40RJ45SMA6

Actassi RJ45 unshielded Cat6 40 series module

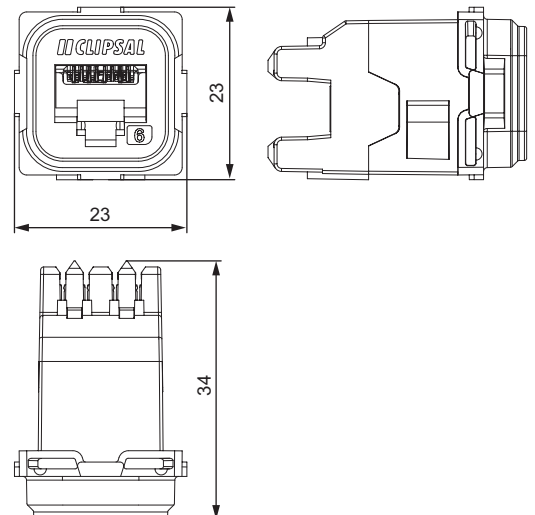
Main	
Range	Actassi
Product type	RJ45 network socket
Type of footprint	40 Series module
Communication network category	6
Cable shielding type	U/UTP
Communication network type	1000BASE-T
Communication port protocol	PoE+ (Power over Ethernet) VoIP (Voice IP)
Colour code	568 A/B
Colour	Stuffer cap : transparent (ABS + PC) IDC cover : blue (ABS + PC) Connector housing : translucent (ABS + PC)

Complementary	
Standards	ANSI/TIA-568-C.2 ISO/IEC 11801 ed. 2.1 ISO/IEC 11801 ed. 2.2, 2011 IEC 60603-7-4 AS/NZS 3080 2010 AS/CA S008 2010
Product certifications	RCM
Permissible voltage	1000 Vac/dc, peak, between contacts
[In] rated current	1.5 A @25 °C
Insulation resistance	Initial insulation resistance : > 500 MOhm @100 Vdc
Resistance	<= 20 mOhm
AWG gauge	AWG 23...AWG 24
Cable outer diameter	0.9...1.1 mm
Pin number	8 pins in copper alloy and gold plated (IEC 60603-7)
Mechanical durability	750 cycles
Device presentation	Two piece design
Pack Size	Set of 20
Dimensions (HxWxD) mm	23x23x34
Transmission frequency	0...250 MHz
Coupling attenuation	>= 35 dB from 30...100 MHz >= 75 - 20 x log(f) dB from 100...1000 MHz
Transverse conversion loss	>= 50 dB >= 68 - 20 x log(f) dB from 1...250000 kHz
Pulling force	50 N during 60 s

Environment	
Ambient air temperature for operation	-40...70 °C
Climatic withstand	40/070/21 (21 days)
Environmental characteristic	PEP (Energy depletion) REACH



Dimensions (mm)



Actassi RJ 45 Sockets (continued)

40RJ45SMA6A

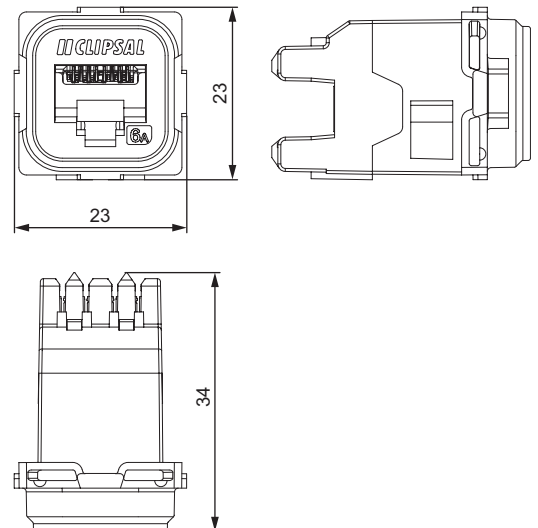
Actassi RJ45 unshielded Cat6A 40 series module

Main	
Range	Actassi
Product type	RJ45 network socket
Type of footprint	40 Series module
Communication network category	6 A
Cable shielding type	U/UTP
Communication network type	10GBASE-T
Communication port protocol	PoE+ (Power over Ethernet) VoIP (Voice IP)
Colour code	568 A/B
Colour	Stuffer cap : transparent (ABS + PC) IDC cover : blue (ABS + PC) Connector housing : translucent (ABS + PC)



Complementary	
Standards	ANSI/TIA-568-C.2 ISO/IEC 11801 ed. 2.1 ISO/IEC 11801 ed. 2.2, 2011 AS/NZS 3080 2010 AS/CA S008 2010 IEC 60603-7-41
Product certifications	RCM
Permissible voltage	1000 Vac/dc, peak, between contacts
[In] rated current	1.5 A @25 °C
Insulation resistance	Initial insulation resistance : > 500 MOhm @100 Vdc
Resistance	<= 20 mOhm
AWG gauge	AWG 23...AWG 24
Cable outer diameter	0.9...1.1 mm
Pin number	8 pins in copper alloy and gold plated (IEC 60603-7)
Mechanical durability	750 cycles
Device presentation	Two piece design
Pack Size	Set of 20
Dimensions (HxWxD) mm	23x23x34
Transmission frequency	0...500 MHz
Coupling attenuation	>= 35 dB from 30...100 MHz >= 75 - 20 x log(f) dB from 100...1000 MHz
Transverse conversion loss	>= 50 dB >= 68 - 20 x log(f) dB from 1...500000 kHz
Pulling force	50 N during 60 s

Dimensions (mm)



Environment	
Ambient air temperature for operation	-40...70 °C
Climatic withstand	40/070/21 (21 days)
Environmental characteristic	PEP (Energy depletion) REACH

Mounting Blocks

3000SM

Clipsal Pro Series - mounting block - surface- 1 gang - depth 32 mm

Main	
Range	Clipsal Pro Series
Product brand	Clipsal
Product type	Mounting block
Colour	Vivid White

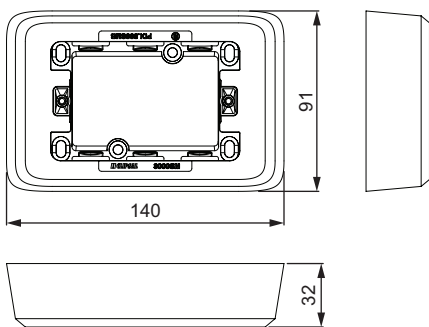
Complementary	
Shape	Rectangular
Number of gangs	1 gang
Material	PC (polycarbonate) HIPS (high impact polystyrene)
Dimensions (HxWxD) mm	91x140x32
Colour code	VW
Mounting centres	84 mm
Pack Size	Pack of 10
Weight	0.38 kg



Benefits

- Easy to align on the wall
- Good level of robustness, Impact resistant
- Flexible conduit Quick and Easy to fix ! : **CLIP-IN*** function
- Wiring device Quick and Easy to fix ! : **PUSH-IN*** function
- Good mounting screws accessibility from the removable base
- Sharp design to suit Pro Series skin shape
- Smart solution : knock-outs easy to break, various size, on each side of the block
- Fixing screws for Wiring Device products are isolated

Dimensions (mm)



Mounting blocks (continued)

3000DM

Mounting Block Pro Series 1 gang 40 mm, clip in and push in function

Main	
Product brand	Clipsal
Product type	Mounting block
Colour	Vivid White

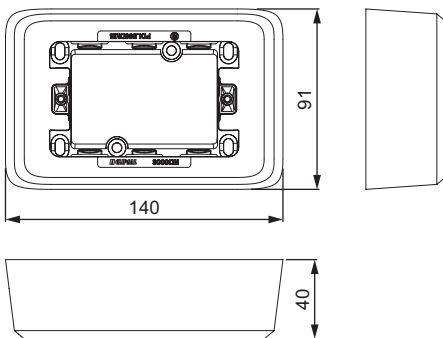
Complementary	
Colour code	VW
Shape	Rectangular
Fixing center	84 mm
Dimensions (HxWxD) mm	91x140x40
Product weight	0.08 kg
Material	PC (polycarbonate) HIPS (high impact polystyrene)
Number of gangs	1 gang
Pack Size	Pack of 5
Weight	0.38 kg



Benefits

- Easy to align on the wall
- Good level of robustness, Impact resistant
- Flexible conduit Quick and Easy to fix ! : **CLIP-IN*** function
- Wiring device Quick and Easy to fix ! : **PUSH-IN*** function
- Good mounting screws accessibility from the removable base
- Sharp design to suit Pro Series skin shape
- Smart solution : knock-outs easy to break, various size, on each side of the block
- Fixing screws for Wiring Device products are isolated

Dimensions (mm)



Mounting blocks (continued)

3004M

Clipsal Pro Series - mounting block - surface- suits quad socket - depth 38 mm

Main	
Range	Clipsal Pro Series
Product brand	Clipsal
Product type	Mounting block
Colour	Vivid White

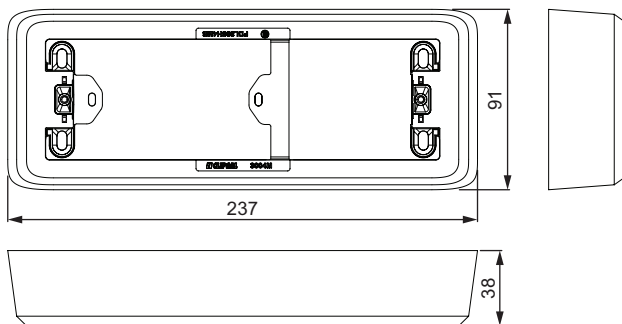
Complementary	
Shape	Rectangular
Material	PC (polycarbonate) HIPS (high impact polystyrene)
Dimensions (HxWxD) mm	91x237x38
Colour code	VW
Mounting Centres	179.8 mm and 84 mm
Pack Size	Pack of 20
Weight	3.3 kg



Benefits

- Easy to align on the wall
- Good level of robustness, Impact resistant
- Wiring device Quick and Easy to fix ! : **PUSH-IN*** function
- Smart solution : knock-outs easy to break, various size, on each side of the block
- Fixing screws for Wiring Device products are isolated

Dimensions (mm)



Mounting blocks (continued)

449AB

Clipsal Pro Series - mounting block - surface- 1 gang - depth 34 mm

Main	
Range	Clipsal Pro Series
Product brand	Clipsal
Product type	Mounting block
Colour	Vivid White

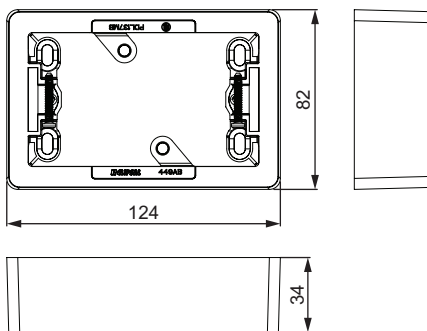
Complementary	
Shape	Rectangular
Number of gangs	1 gang
Material	PC (polycarbonate) HIPS (high impact polystyrene)
Dimensions (HxWxD) mm	82x124x34
Colour code	VW
Mounting centres	84 mm
Pack Size	Pack of 20
Weight	0.58 kg



Benefits

- Easy to align on the wall
- Good level of robustness, Impact resistant.
- Smart solution : knock-outs easy to break, various size, on each side of the block
- Fixing screws for Wiring Device products are isolated
- Fit any recessed devices from the competition (knock out area)

Dimensions (mm)



Wall Boxes

3157/4PRM

Clipsal Pro Series - mounting box - suits Quad Socket - depth 54 mm

Main	
Range of product	Pro Series
Range	Clipsal Pro Series
Product brand	Clipsal
Product type	Mounting box
Colour	Grey

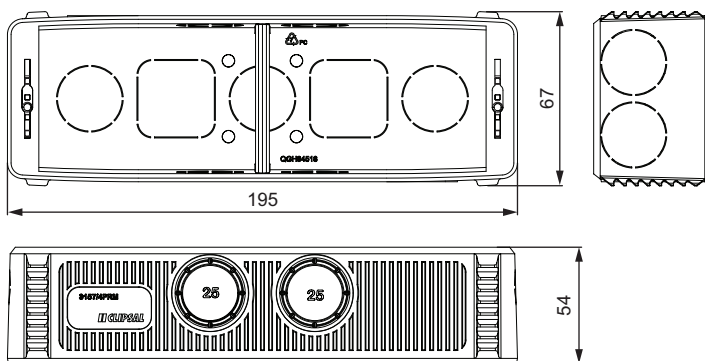
Complementary	
Range compatibility	Clipsal Pro Series
Shape	Rectangular
Cable entry number	16
Material	PC
Device mounting	Flush
Dimensions (HxWxD) mm	67x195x54
Location of connection	Rear
Colour code	GY
Mounting centres	179.8 mm
Pack Size	Pack of 20
Weight	3.3 kg



Benefits

- Easy to adjust to be flush in the wall
- Good level of robustness (removable 'Divider', after fixing)
- Impact resistant
- Wiring device easy to align and to fix ! : Sliding metal nuts + PUSH-IN* function
- Ample knock-outs each side of the box
- Innovative cover (not shown) helps locate box through the wall and limits entry of dust and debris

Dimensions (mm)



Wall Brackets

3155H4

Pro Series - bracket Quad Socket horizontal

Main

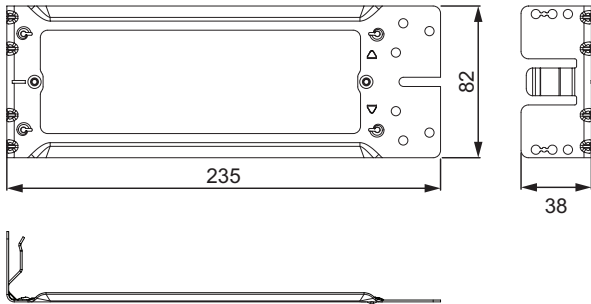
Range	Clipsal Pro Series
Product type	Mounting bracket
Colour	White
Quantity per set	Set of 20

Complementary

Installation direction	Horizontal
Mounting support	Wall
Number of gangs	4 gang
Mounting centres	179.8 mm
Pack Size	Pack of 20
Dimensions (HxWxD) mm	82x235x38
Weight	3.3 kg



Dimensions (mm)



C-Bus Modules

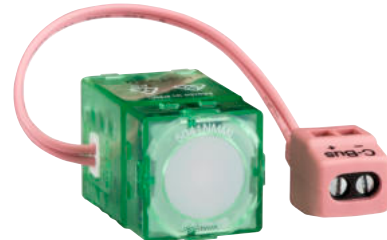
5041NMML

40 Series master module

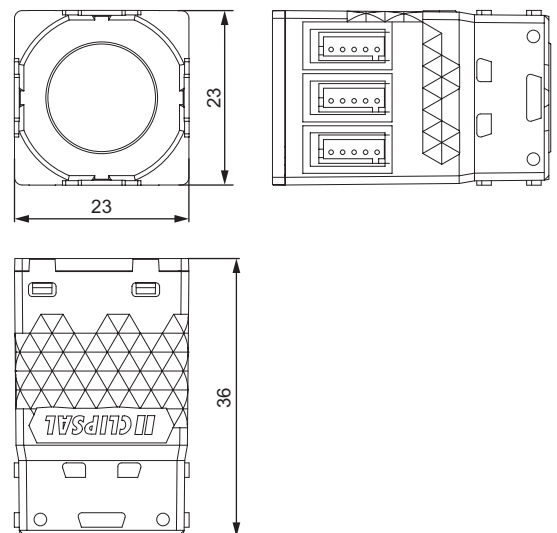
Main	
Range	C-Bus
Product name	Series 40M
Product type	Push-button interface
Device application	Control
Colour	Transparent green
Control type	Push-button

Complementary	
Device mounting	Wall mounted
Dimmer control	255 possible levels
[Ue] rated operational voltage 25	15...36 V
Input impedance	100 kOhm
Local signalling	LED
Type of cable	Twisted unshielded pairs cable
Switch application	Load switching
Module configuration	Programmed with learn mode
Time delay range	1s...18h12m15s
Current consumption	18 mA
Isolation voltage	3.75 kV
Ambient air temperature for operation	0 - 45 °C
Relative humidity	10-95 %
Communication network type	C-Bus via 40 series master module
Material	Plastic
Dimensions (HxWxD) mm	23x23x36
Product weight	0.013 kg

Environment	
Product certifications	RCM
Standards	AS/NZS CISPR 15



Dimensions (mm)



C-Bus modules (continued)

5041NMS

40 Series slave module

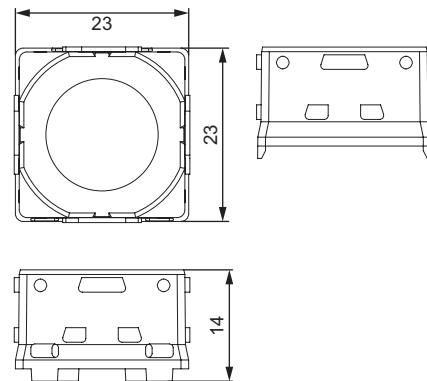
Main	
Range	C-Bus
Product name	Series 40M
Product type	Push-button interface
Device application	Control
Colour	Transparent green
Control type	Push-button

Complementary	
Device mounting	Wall mounted
Dimmer control	255 possible levels
[Ue] rated operational voltage 25	15...36 V
Input impedance	100 kOhm
Local signalling	LED
Type of cable	Twisted unshielded pairs cable
Switch application	Load switching
Module configuration	Programmed with learn mode
Time delay range	1s...18h12m15s
Current consumption	18 mA
Isolation voltage	3.75 kV
Ambient air temperature for operation	0 - 45 °C
Relative humidity	10-95 %
Communication network type	C-Bus via 40 series master module
Material	Plastic
Dimensions (HxWxD) mm	23x23x14
Product weight	0.007 kg

Environment	
Product certifications	RCM
Standards	AS/NZS CISPR 15



Dimensions (mm)



Interfaces



P40FR



P40HR



P40FRR



P40SR



P40ACR



P40ALR



P40HWR



P40Z1R



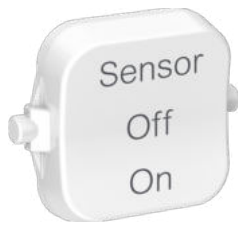
P40Z2R



P40Z3R



P40R32



P49TSOO



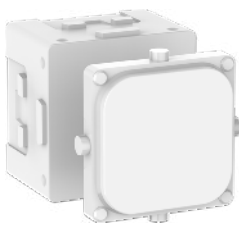
P49TAOM



P49TUOD



P40AR



P40B



P40LR



P40LOCKR



P40R20COOK



P40R32COOK



P3000T

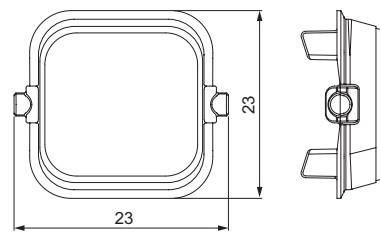
Interfaces (continued)

Commercial Reference	Description	Marking
P40FR	Pro Series - switch rocker labelled FAN	Fan
P40HR	Pro Series - switch rocker labelled HEAT	Heat
P40FRR	Pro Series - switch rocker labelled FRIDGE	Fridge
P40SR	Pro Series - switch rocker labelled SENSOR	Sensor
P40ACR	Pro Series - switch rocker labelled AIRCON	Aircon
P40ALR	Pro Series - switch rocker labelled ALARM	Alarm
P40HWR - Hot water	Pro Series - switch rocker labelled HOT WATER	Hotwater
P40Z1R	Pro Series - switch rocker labelled ZONE 1	Zone 1
P40Z2R	Pro Series - switch rocker labelled ZONE 2	Zone 2
P40Z3R	Pro Series - switch rocker labelled ZONE 3	Zone 3
P40R32	Pro Series - switch rocker 32 A White	White
P49TSOO	Rocker Toggle 3 - pos labelled SENSOR - ON - OFF	Sensor - On - Off
P49TAOM	Rocker Toggle 3 - pos labelled AUTO - OFF - MANUAL	Auto - Off - Manual
P49TUOD	Rocker Toggle 3 - pos labelled UP - OFF - DOWN	Up - Off - Downl
P40AR	Dolly rocker BLANK	Blank
P40B	Blank mechanism adaptor PK5 TN	Blank
P40LR	Dolly Rocker LIGHT	Light
P40LOCKR	Dolly Locking rocker Blank	Blank
P40R20COOK	Dolly Rocker 20 A COOKER	Cooker
P40R32COOK	Dolly Rocker 32 A COOKER	Cooker
P3000T	Tool for Skin Removal	

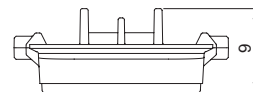
Technical Specification

Main	
Range	Clipsal Pro Series
Product type	Switch
Provided equipment	Rocker
Mounted method	Clip-in
Colour	White (XW), Black (BK)
Type of packing	Ziplock polybag
Pack Size	Set of 50

Dimensions (mm)



Complementary	
Control type	Rocker switch
Actuator	Rocker
Surface finish	Gloss
Surface treatment	Untreated
Ambient air temperature for storage	0...60 °C
Ambient air temperature for operation	0...45 °C
Relative humidity	10...95 %
Material	ABS (acrylonitrile butadiene-styrene) for rocker
Dimensions (HxWxD) mm	23x23x9
Product weight	0.001 kg



Interfaces (continued)

P40RSM3KB

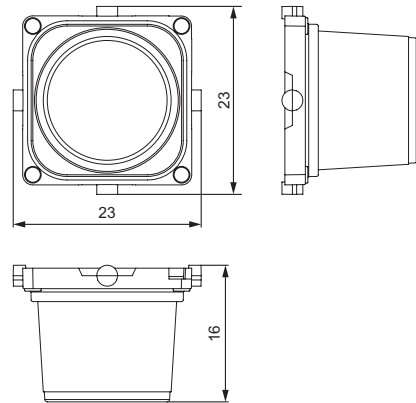
Pro Series - rotary knob labelled 0-1-2-3 in 2 colours

Main	
Range	Clipsal Pro Series
Product type	Knob
Provided equipment	Knob, Carrier
Mounted method	Clip-in
Colour	White (XW), Black (BK)
Type of packing	Ziplock polybag
Pack Size	Set of 10



Complementary	
Control type	Knob
Actuator	Rotary
Marking	0 - 1 - 2 - 3
Material	Housing : PC (polycarbonate); PA66 (nylon) Knob : PC (polycarbonate) Knob cap : ABS (acrylonitrile butadiene-styrene)
Dimensions (HxWxD) mm	23x23x16
Product weight	0.0015 kg

Dimensions (mm)



Interfaces (continued)

P40RSM2KB

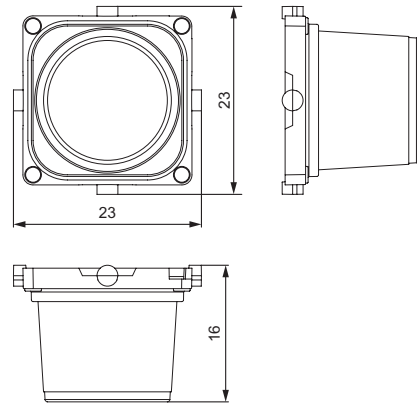
Pro Series - rotary knob labelled 0-1-0-2 in 2 colours

Main	
Range	Clipsal Pro Series
Product type	Knob
Provided equipment	Knob, Carrier
Mounted method	Clip-in
Colour	White (XW), Black (BK)
Type of packing	Ziplock polybag
Pack Size	Set of 10

Complementary	
Control type	Knob
Actuator	Rotary
Marking	0 - 1 - 0 - 2
Surface finish	Gloss
Surface treatment	Untreated
Ambient air temperature for storage	0...60 °C
Ambient air temperature for operation	0...45 °C
Relative humidity	10...95 %
Material	Housing : PC (polycarbonate); PA66 (nylon) Knob : PC (polycarbonate) Knob cap : ABS (acrylonitrile butadiene-styrene)
Dimensions (HxWxD) mm	23x23x16
Product weight	0.0015 kg



Dimensions (mm)



Interfaces (continued)

P49T

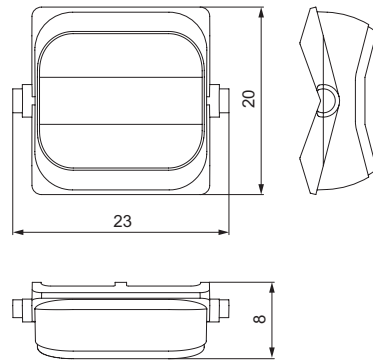
Pro Series - 3 position switch rocker

Main	
Range	Clipsal Pro Series
Product type	Switch
Provided equipment	Rocker
Mounted method	Clip-in
Colour	White (XW), Black (BK)
Type of packing	Polybag
Pack Size	Set of 50

Complementary	
Control type	Rocker switch
Actuator	Rocker
Surface finish	Gloss
Surface treatment	Untreated
Ambient air temperature for storage	0...60 °C
Ambient air temperature for operation	0...45 °C
Relative humidity	10...95 %
Material	Rocker : PC (polycarbonate) Rocker : ABS (acrylonitrile butadiene-styrene)
Dimensions (HxWxD) mm	20x23x8
Product weight	0.0015 kg



Dimensions (mm)



Interfaces (continued)

P223H

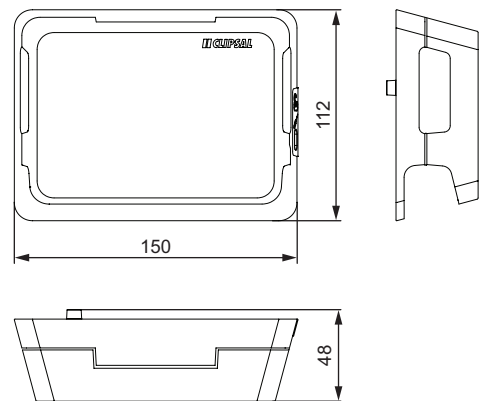
Protective box IK10 with lockable lid

Main	
Range	Clipsal Pro Series
Colour	Grey
Shape	Rectangular

Complementary	
Number of gangs	1 gang
Protection rating	IK10
Fixing	84 mm or corner mount
Material	Zinc aluminum alloy
Dimensions (HxWxD) mm	112x150x48
Product weight	0.61 kg



Dimensions (mm)



Interfaces (continued)

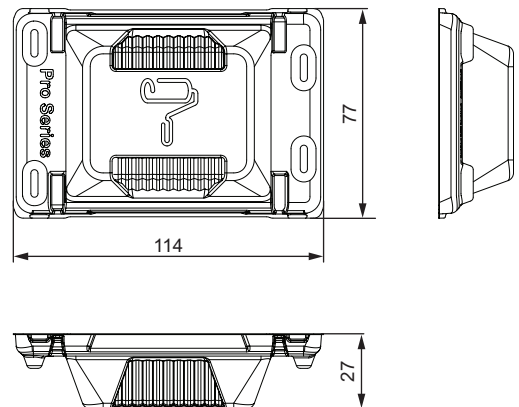
P3000PP-50

Protective paint cover 50 pack

Main	
Range	Clipsal Pro Series
Product type	Protective cover
Provided destination	Plate
Complementary	
Dimensions (HxWxD) mm	77x114x27



Dimensions (mm)



Interfaces (continued)

40E1USBCAP

Single port USB cap

Main

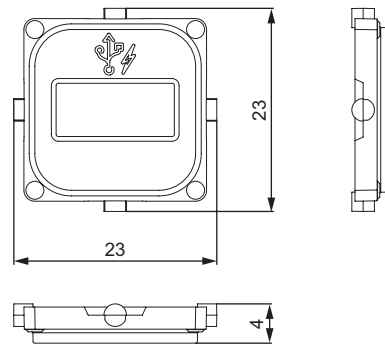
Range	Clipsal Pro Series
Product type	Socket cap
Product destination	USB charger
Connector type	USB type A
Colour	Black (BK)
Quantity per set	Set of 5

Complementary

Device mounting	Flush
Number of gang	1 gang
Marking	USB symbol
Material	ABS (acrylonitrile butadiene-styrene)
Dimensions (HxWxD) mm	23x23x4
Product weight	0.001 kg



Dimensions (mm)



Interfaces (continued)

40E2USBACCAP

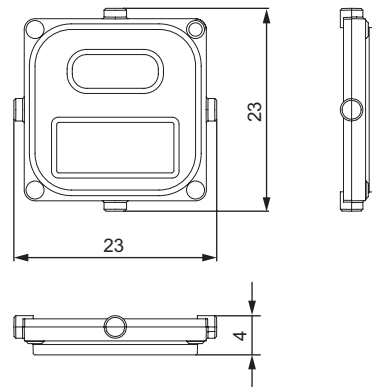
Mechanism Cap Dual USB Type A+C

Main	
Range	Clipsal Pro Series
Product type	Cover frame
Product destination	USB charger
Fixing mode	Clip-in
Type of packing	Polybag
Quantity per set	Set of 5

Complementary	
Device mounting	Flush
Number of gangs	2 gangs
Number of modules	1 module
Colour	Black (BK)
Surface finish	Gloss
Material	ABS (acrylonitrile butadiene-styrene)
Dimensions (HxWxD) mm	23x23x4
Product weight	0.001 kg



Dimensions (mm)



Interfaces (continued)

40E2USBCAP

Dual Port USB Cap

Main

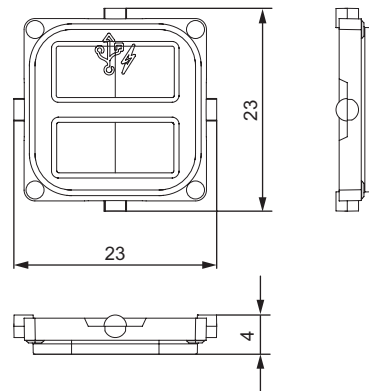
Range	Clipsal Pro Series
Product type	Socket cap
Product destination	USB charger
Connector type	USB type A
Quantity per set	Set of 5

Complementary

Device mounting	Flush
Number of gangs	2 gangs
Colour	Black (BK)
Marking	USB symbol
Material	ABS (acrylonitrile butadiene-styrene)
Dimensions (HxWxD) mm	23x23x4
Product weight	0.001 kg

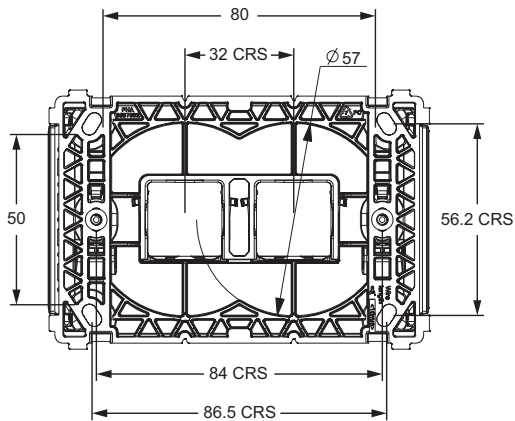
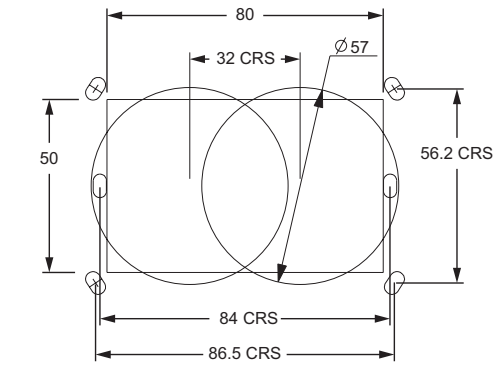


Dimensions (mm)

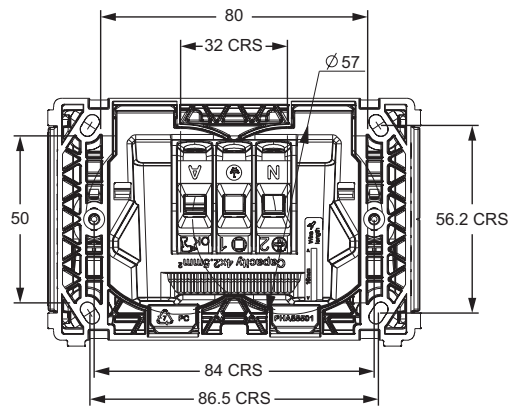
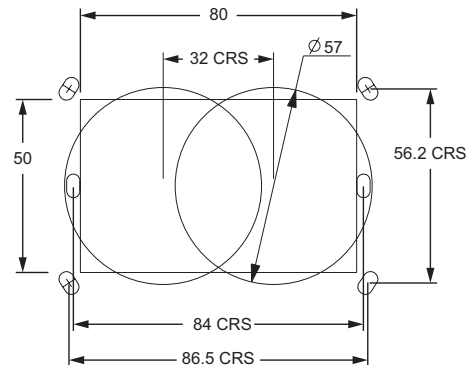


Cut-out Diagrams

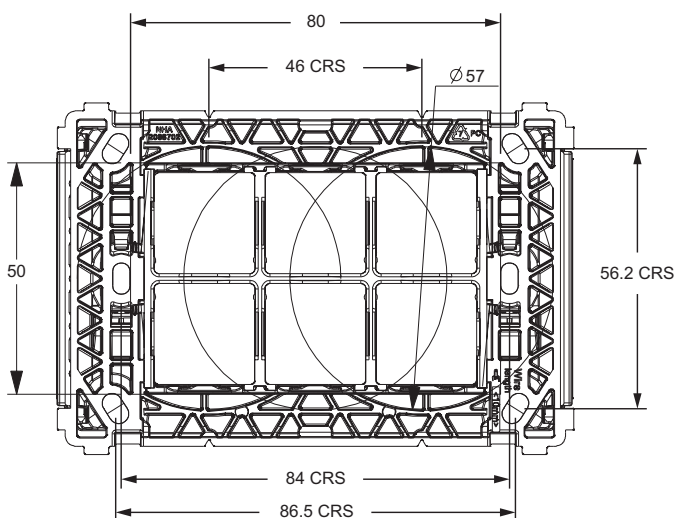
1 to 4 gang Switch Plate



Socket

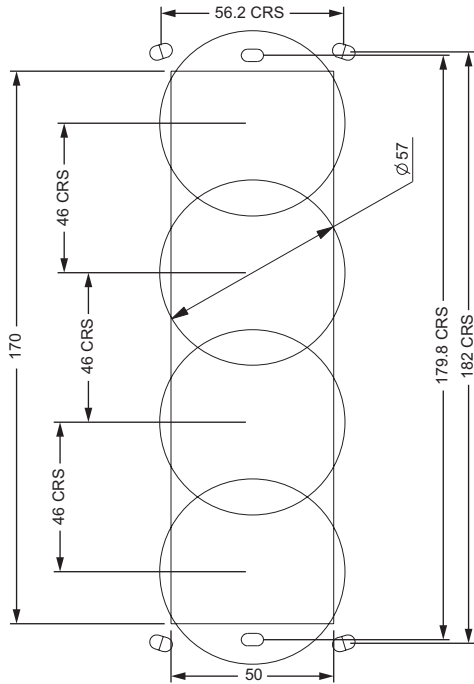


5 and 6 gang Switch

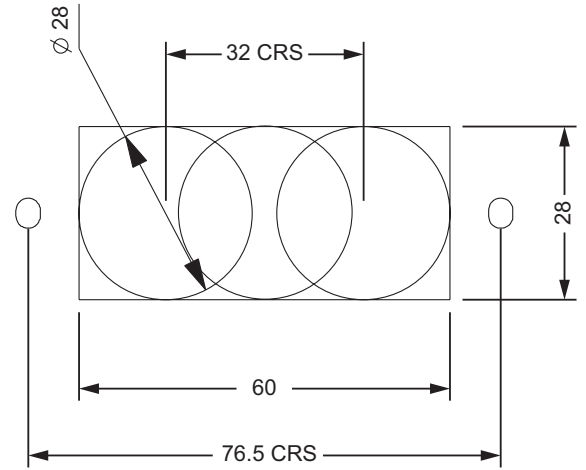


Cut-out Diagrams (cont'd)

4 gang Socket

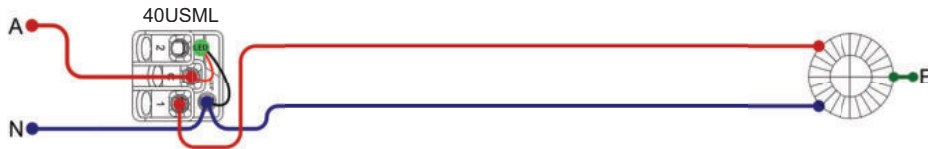


Architrave Switch



Mechanical Switching

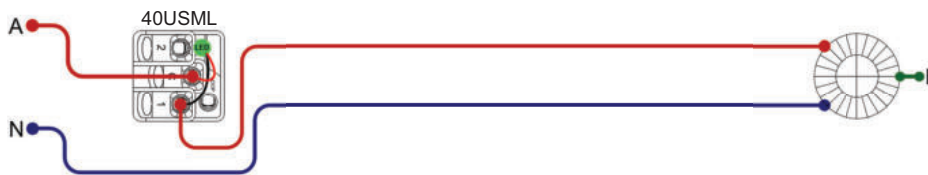
LED indicator is permanently "ON" (Power Available Indicator)



LED indicator "ON" when load is "ON"



LED indicator "ON" when load is "OFF" - No neutral present at switch

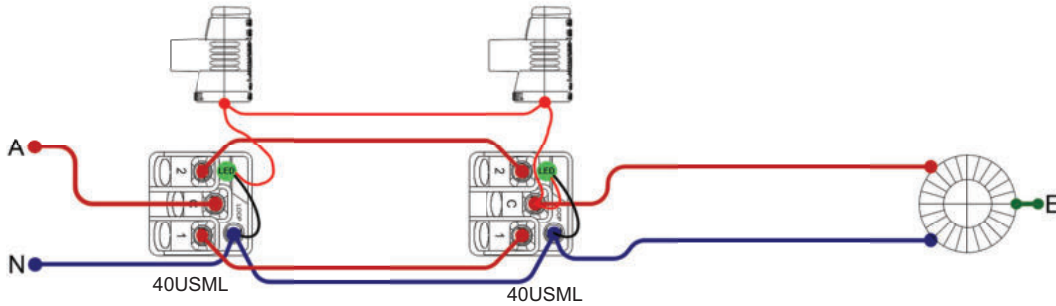


LED indicator is "ON" when load is "OFF"

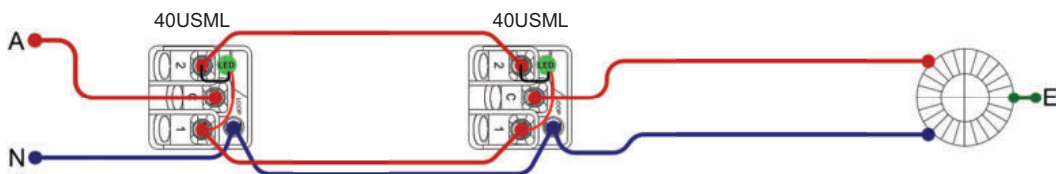


Mechanical Switching (cont'd)

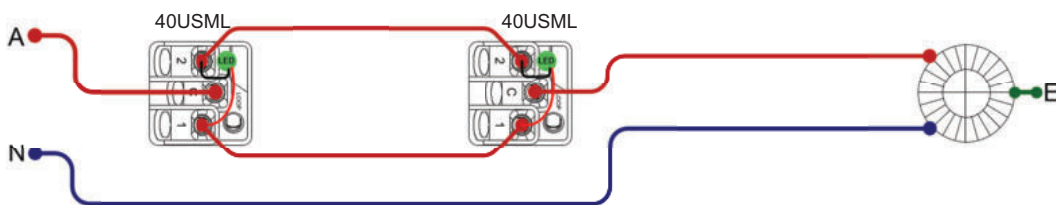
2-Way switching, LED indicator "ON" when load is "ON"- Neutral present at switch



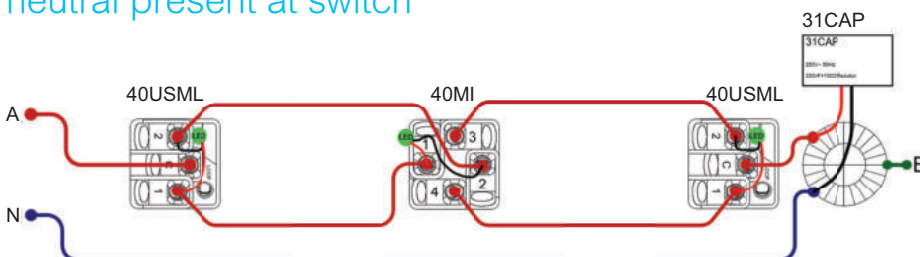
2-Way switching, LED indicator "ON" when load is "OFF"- Neutral present at switch



2-Way switching, LED indicator is "ON" when load is "OFF"- No neutral present at switch



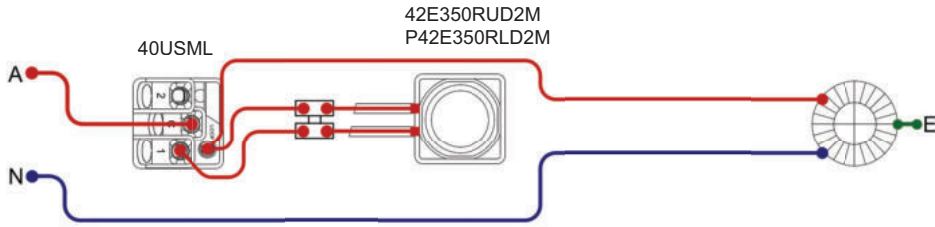
Multi-way switching, LED indicator is "ON" when load is "OFF"- No neutral present at switch



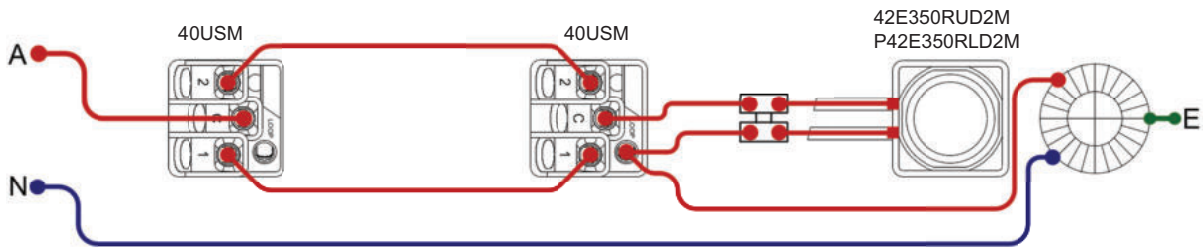
***31CAP to be installed in parallel with the load to counter for larger current leakage.

Mechanical Switching (cont'd)

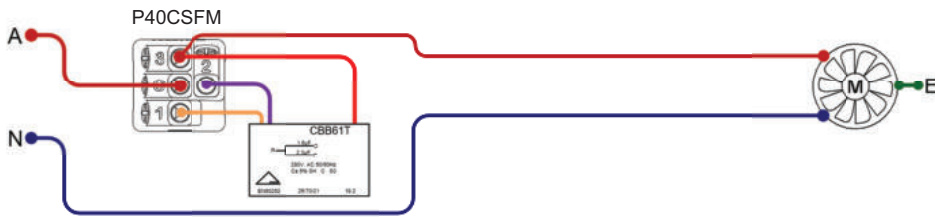
Switch and Rotary Dimmer



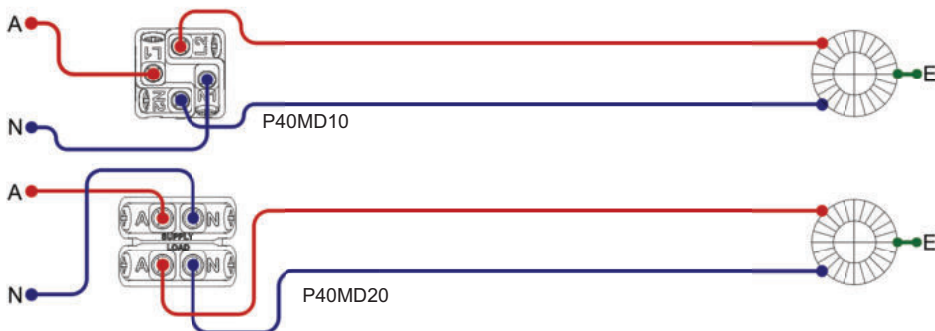
2-Way Switching with Rotary Dimmer



Rotary Fan Controller

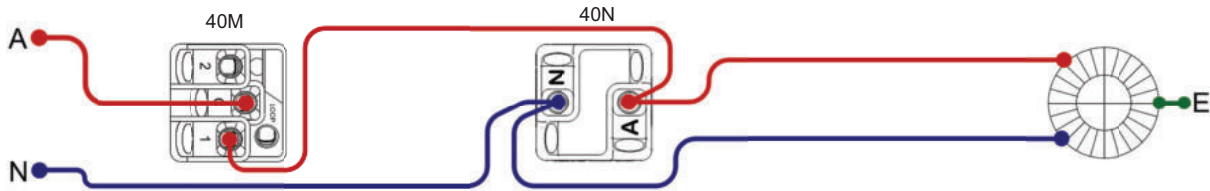


Double Pole Switching

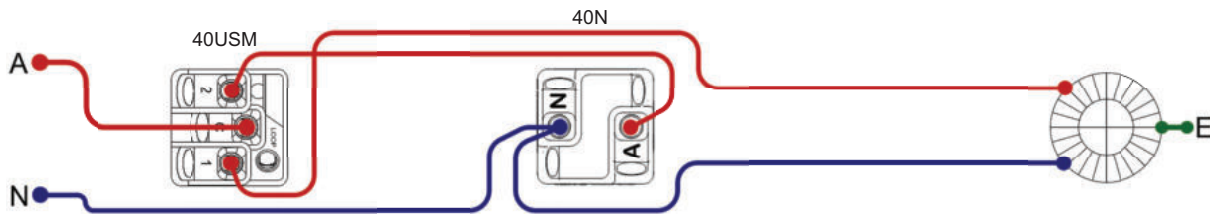


Mechanical Switching (cont'd)

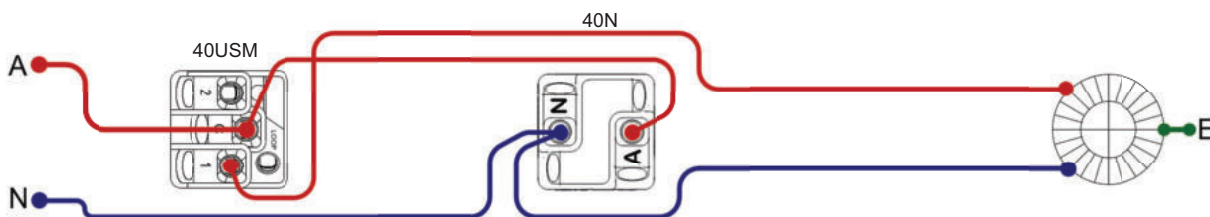
Switching with LED indicator module LED indicator "ON" when load is "ON"



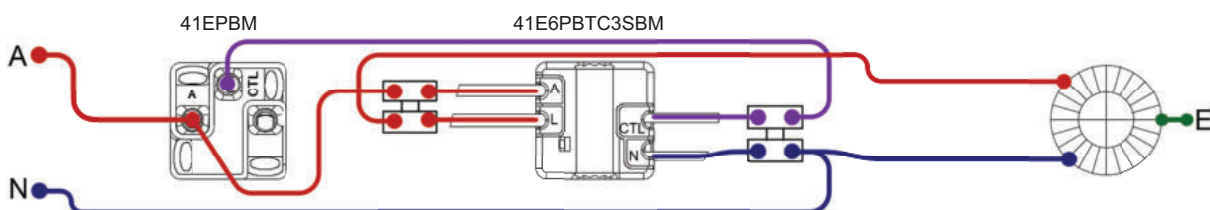
Switching with LED indicator module LED indicator "ON" when load is "OFF"



Switching with LED indicator module LED indicator "ON" permanently (Power Available Indicator)

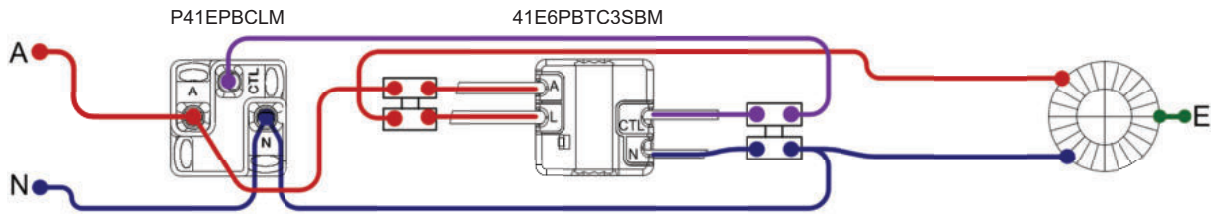


2-Way Switching (LED indication at Master only) - 2 Wire Slave, 3 Wire Master

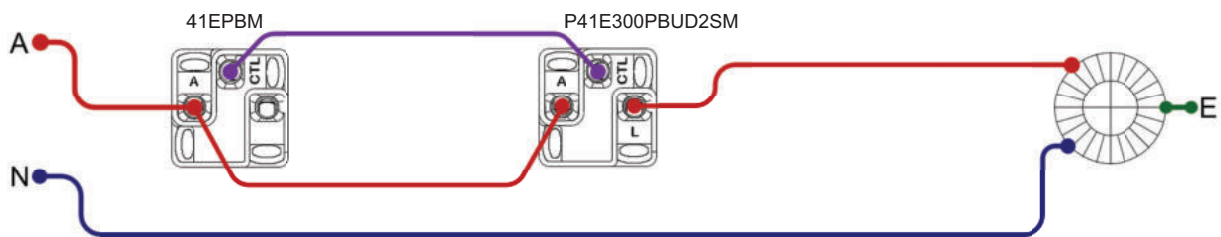


Mechanical Switching (cont'd)

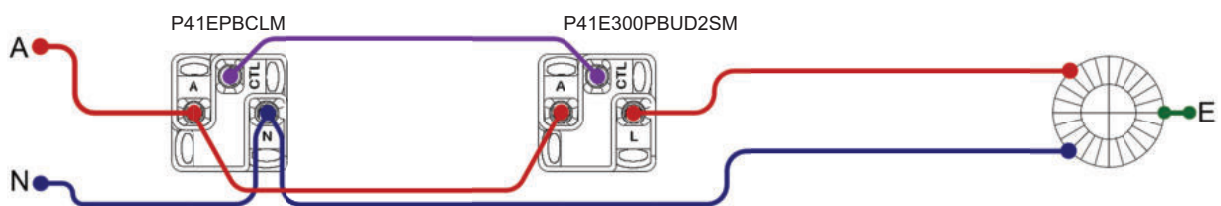
2-Way Switching (LED indications at both ends) - 3 Wire Slave & Master



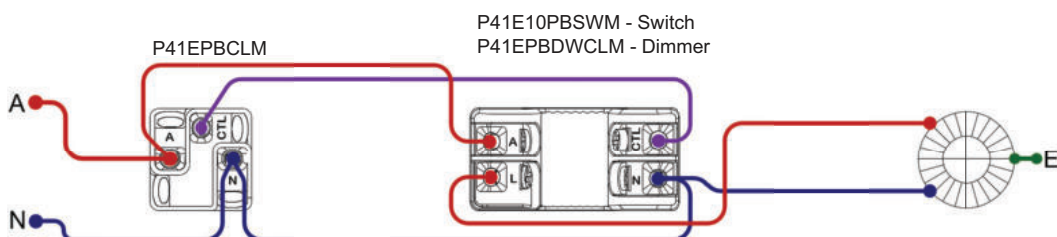
2-Way Dimming (LED indication at Master only) - 2 Wire Slave & Master



2-Way Dimming (LED indications at both ends) - 3 Wire Slave, 2 Wire Master

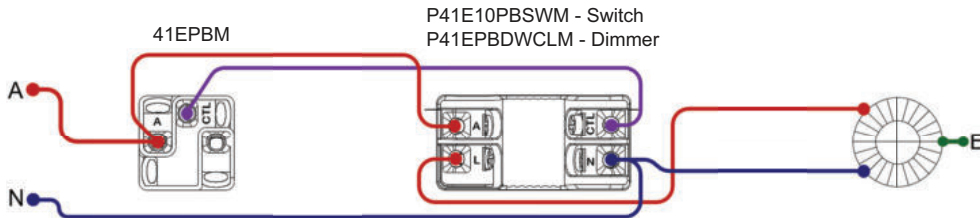


2-Way Switching and/ or Dimming (LED indicators at both ends) - 3 Wire Slave & Master

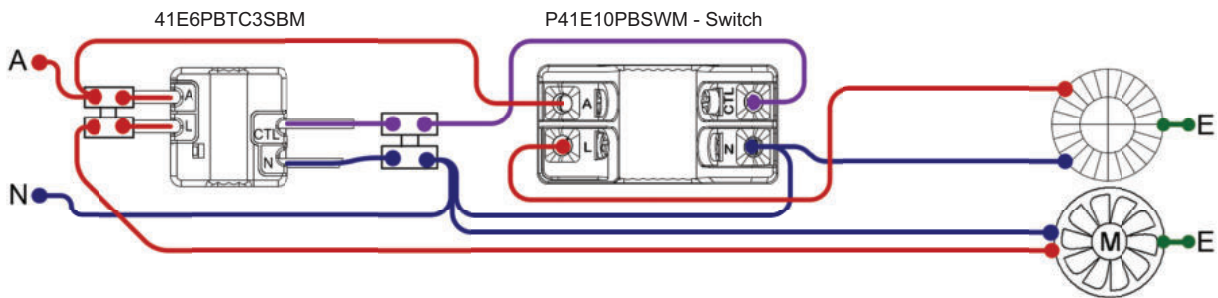


Mechanical Switching (cont'd)

2-Way Switching and/ or Dimming (LED indication at Master only) - 2 Wire Slave, 3 Wire Master

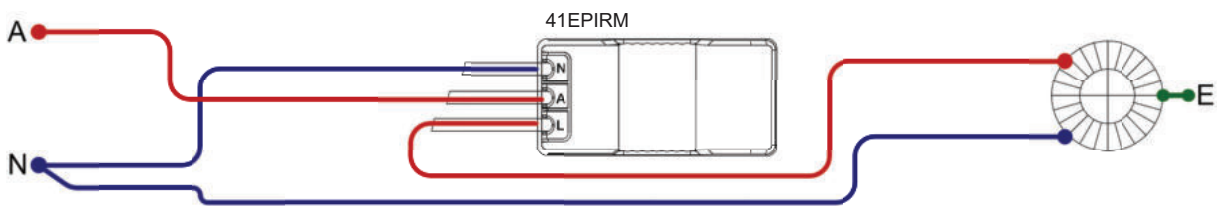


Run-on Fan Timer (Triggered from a Light) - 3 Wire Masters

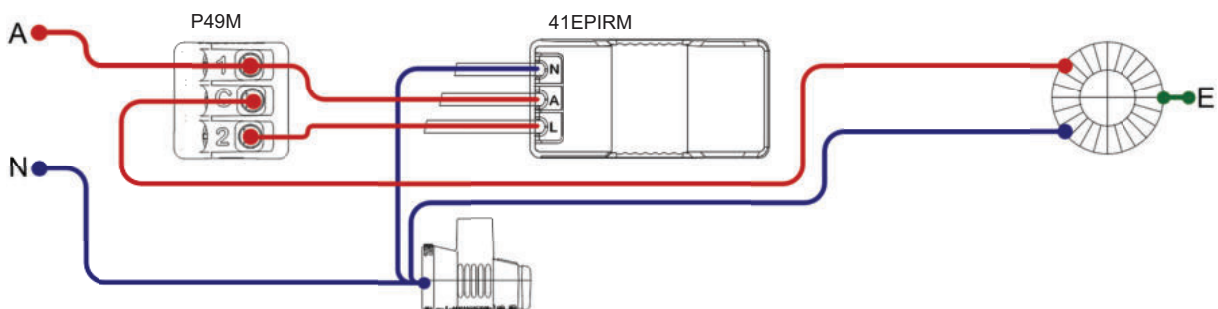


***41E6PBTC3SBM MUST be in Run-On mode and 41E10PBSWM/ P41E10PBSWM in switch mode.

Switching with PIR Sensor



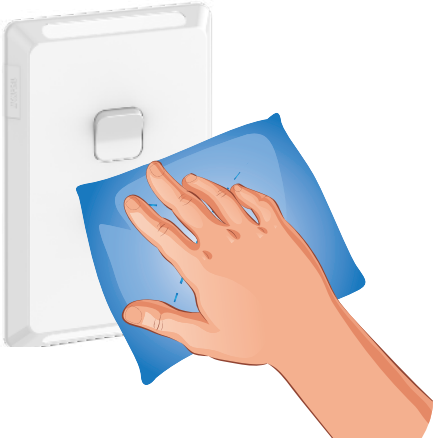
Switching with PIR Sensor with override switch



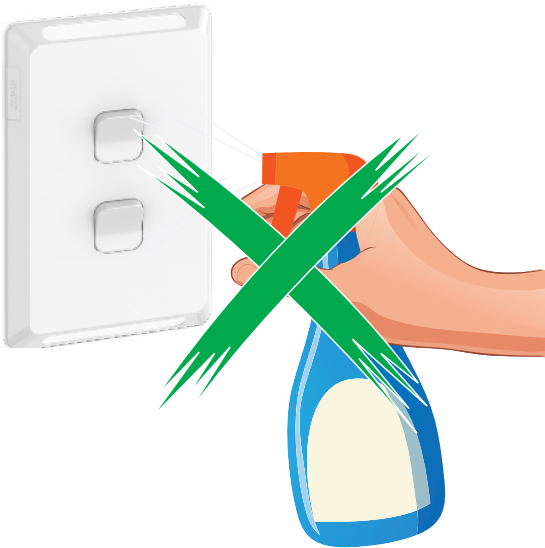
General Instructions

Cleaning

- Clean with a soft damp cloth.



- Avoid household Cleaning chemicals.





For more information about Pro Series, contact your local Clipsal and Schneider Electric Partner Business Representative, electrical wholesaler, or visit: clipsal.com/proseries

Schneider Electric (Australia) Pty. Ltd.
33-37 Port Wakefield Road,
Gepps Cross, South Australia, 5085
PO Box 132, Enfield Plaza,
South Australia, 5085
www.schneider-electric.com.au

Consumer Support Enquiries
Phone: 1300 669 925
Website: clipsal.com/contactus

National Customer Care (Trade only)
Phone: 1300 369 233
Email: plugin@clipsal.com.au

© 2020 Schneider Electric. All Rights Reserved. Pro Series and Clipsal are trademarks of Schneider Electric (Australia) PTY Limited.
This document has been printed on recycled paper.
• NNZ5418900 Issue 00

clipsal.com/proseries

Life Is 


by Schneider Electric