

Meter Box - 230DRAQTPL

en



PLEASE NOTE

- This equipment must be installed and maintained by a qualified electrician in accordance with the appropriate statutory regulations and codes of practice.
- All applicable local, regional and national regulations must be complied with during the installation, use, maintenance and replacement of this device.
- This product should not be installed if, when unpacking it, you observe that it is damaged.
- Clipsal cannot be held responsible in the event of noncompliance with the instructions in this document and in the documents to which it refers.
- The service instruction must be observed throughout the life time of this product.

⚡ ⚠ DANGER

HAZARD OF ELECTRIC SHOCK, EXPLOSION OR ARC FLASH

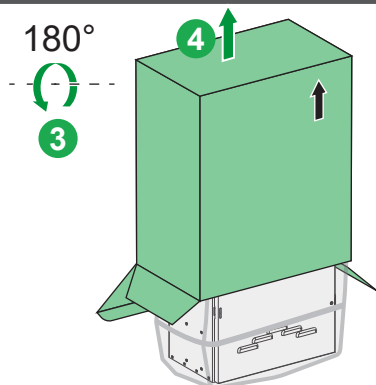
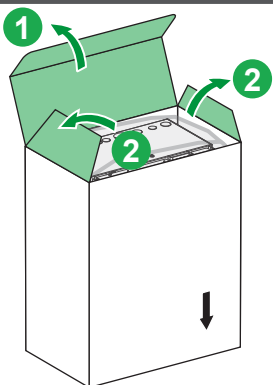
- Turn off all power supplying this product before working on it.
- Use a voltage tester with a suitable rated voltage in order to check that all active conductors aren't energized.
- Carefully inspect the work area to check that no tools or objects could have been left inside the equipment.

Failure to follow these instructions will result in death or serious injury.

Life Is On

CLIPSAL
by Schneider Electric

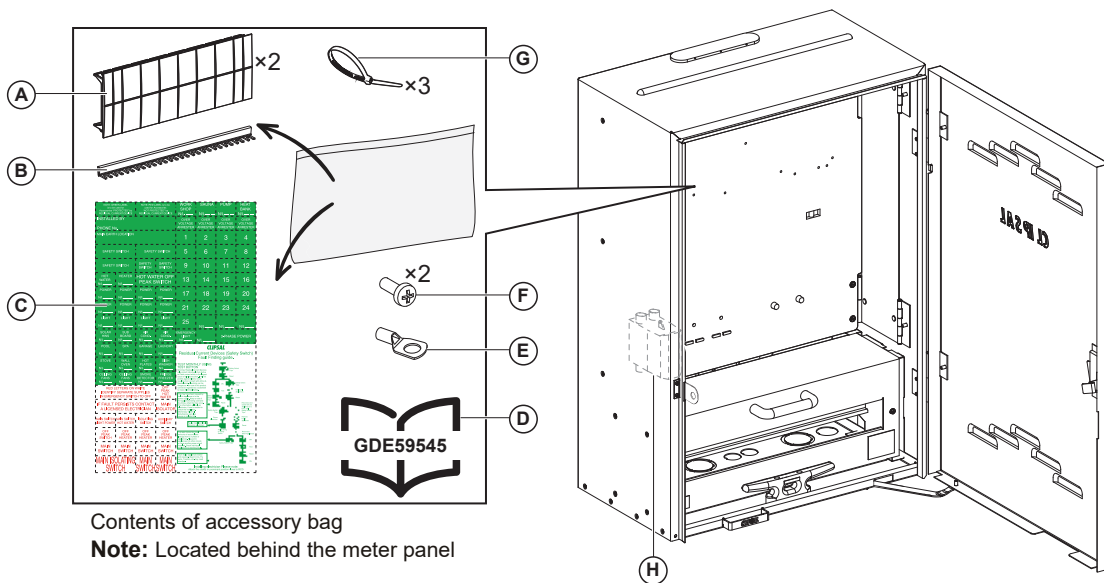
Package Contents



Note: Follow the orientation for unboxing

Rotate package by 180° with care and remove carton box

Parts Identification

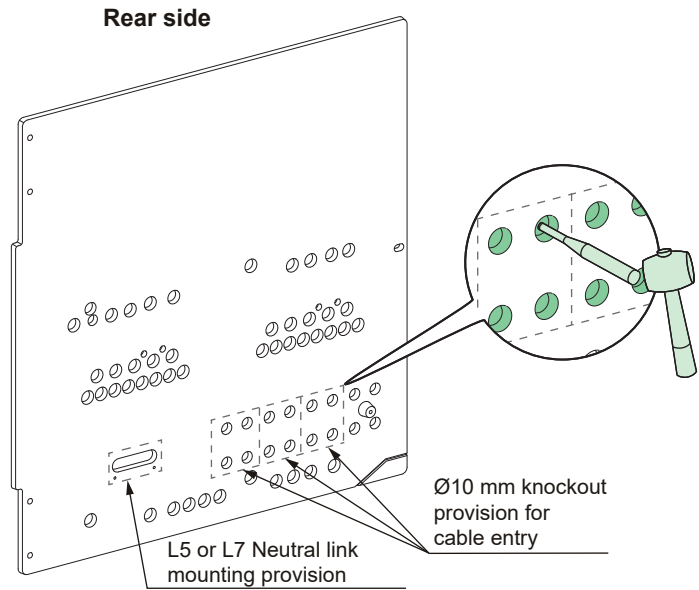
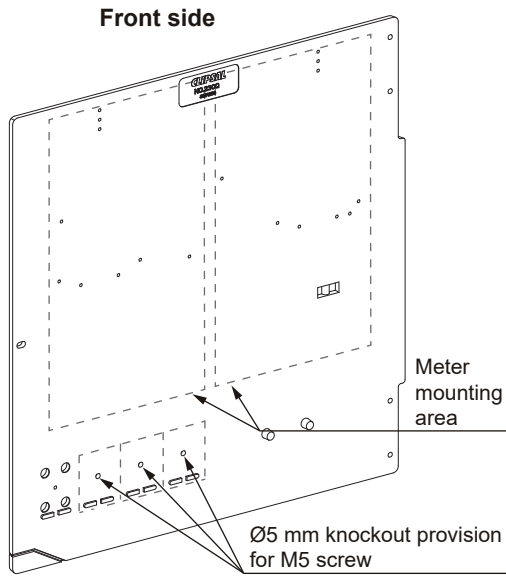


Contents of accessory bag
Note: Located behind the meter panel

- A Pole filler
- B Single phase busbar
- C Green label sheet
- D Instruction sheet
- E Cable lug
- F Screw (M4)
- G Cable tie
- H Meter isolation link

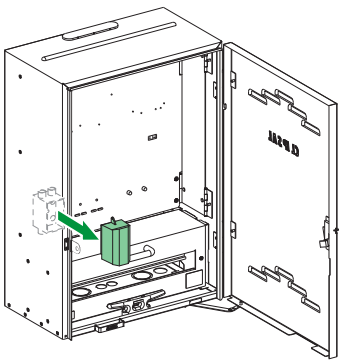


Meter panel

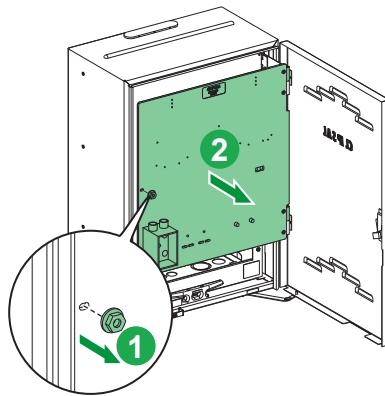


Note: Provision for three meter isolation link mounting, one meter isolation link supplied with product

Meter Isolation Link Fixation

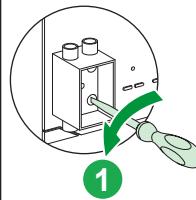


1. Pull out the meter isolation link fuse carrier from the base portion



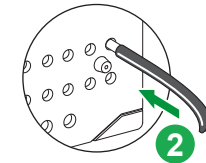
2. Remove the nut and pull out the meter panel

Meter panel front side



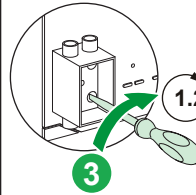
1

Meter panel rear side



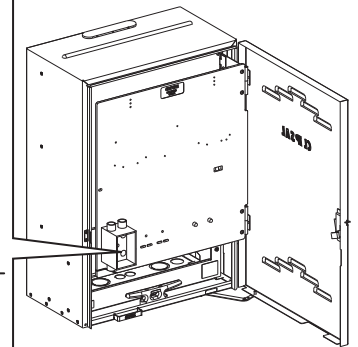
2

Meter panel front side

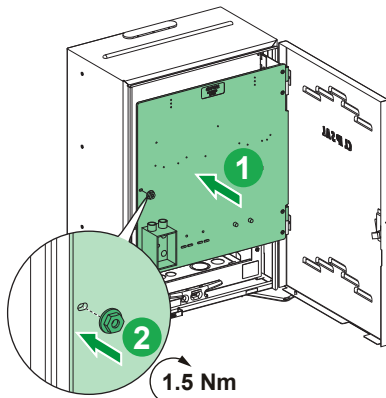


3

1.2 Nm

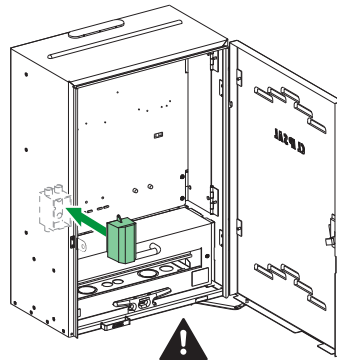


3. Wiring connection to meter isolation link.



4. After wiring, push back the meter panel to its original position and tighten the nut.

1.5 Nm



5. Re-assemble the fuse carrier to the base portion

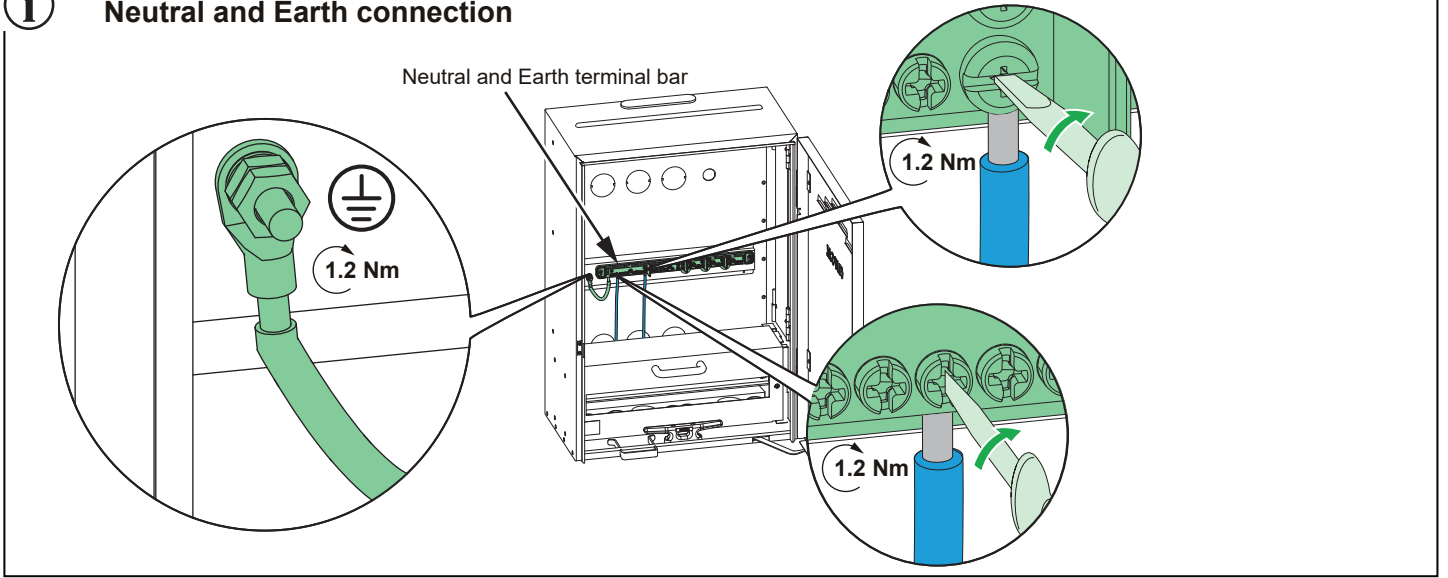
Note:



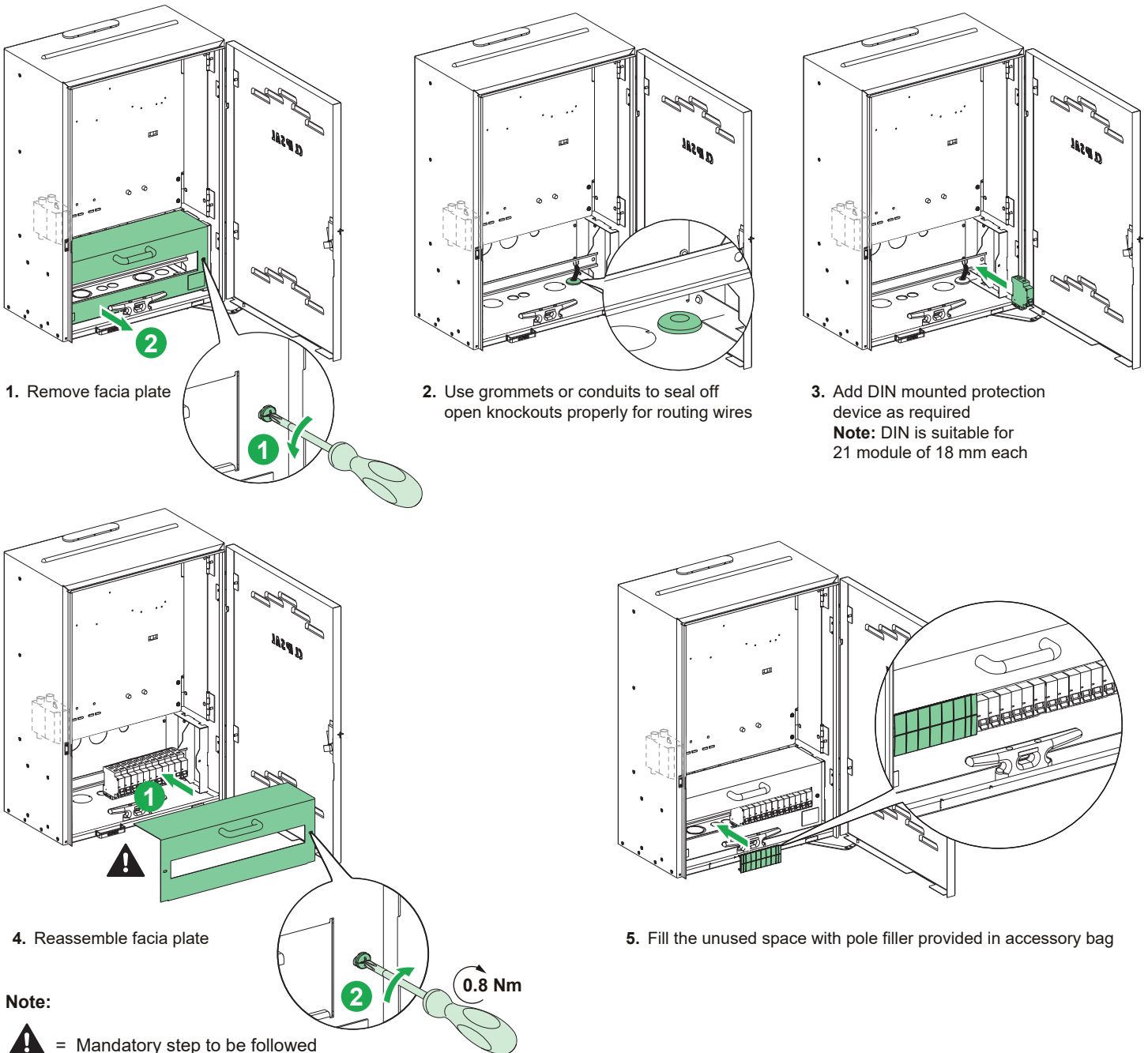
= Mandatory step to be followed



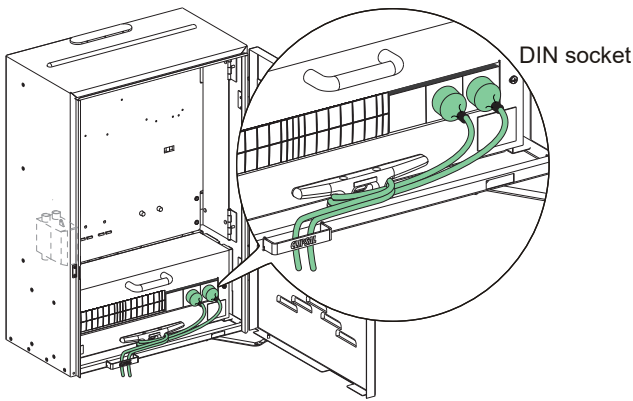
Neutral and Earth connection



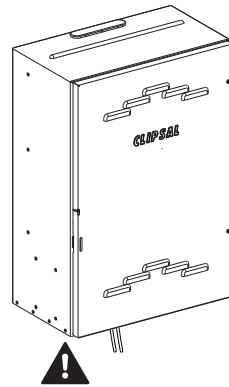
Circuit Protection Device Installation



Cable Protection Slide and Lead Tie-off Point to Help Comply to AS/NZS 3012 for Temporary Installation



1. Pass the leads through cable protection slide at the bottom opening and tie off before plugging into socket outlet
Note: Fill unused space with pole filler

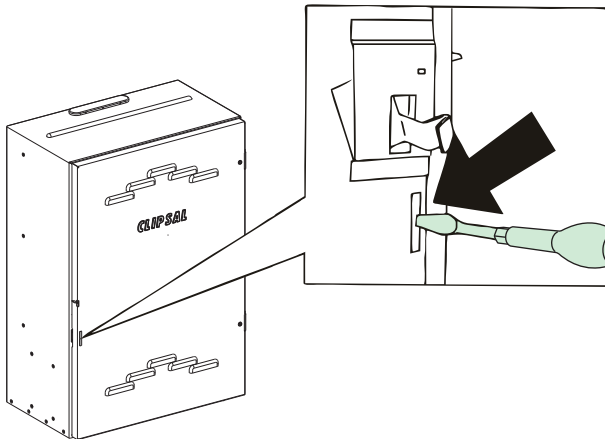


2. Ensure door is closed after installation
Note:

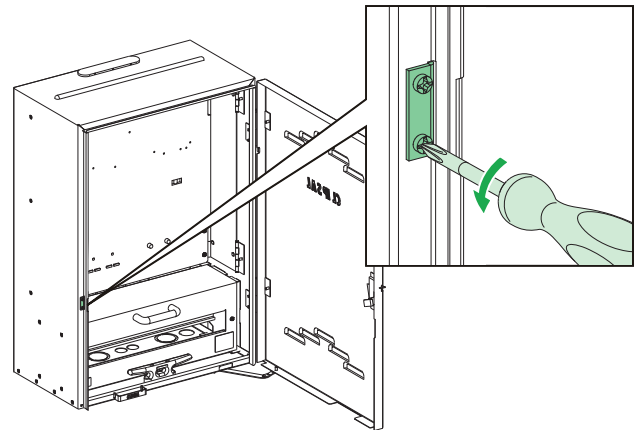
= Mandatory step to be followed

Note: To suit temporary and permanent installation, follow local service and installation rules

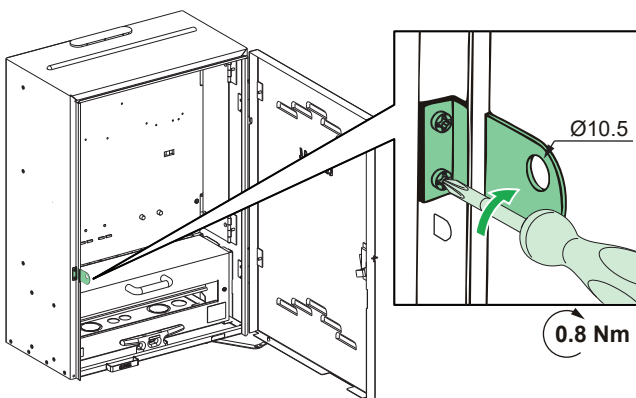
Doorlock Instruction



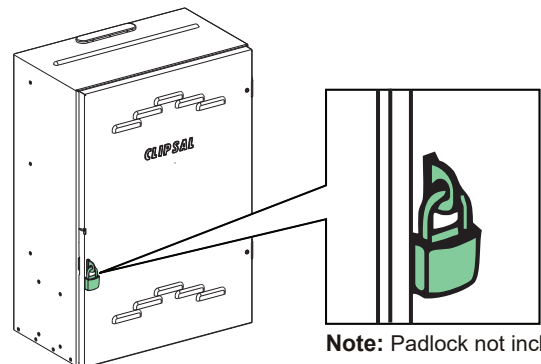
1. Knockout the slot from the inside of door



2. Dismount the pre-assembled locking strap



3. Reverse the locking strap in same position and reassemble it with the screws



Note: Padlock not included

Clipsal by Schneider Electric (Australia) Pty Limited
 33-37 Port Wakefield Road
 Gepps Cross
 South Australia 5094

Customer Care Centre
 Tel: 1300 369 233
 Email: customercare.au@se.com
 Fax: 1300 369 288
 www.clipsal.com

GDE59545-01

© 2021 Clipsal Australia Pty Ltd - All rights reserved.

The identified trademarks and copyrights are the property of Clipsal Australia Pty Ltd unless otherwise noted.

Life Is On **CLIPSAL**
 by Schneider Electric