



## STARGEM III SES70802TC - 2 X 15W

2 x 15 watt IP54 wall mounted LED floodlight with TC selectable colour temperature and PIR sensor

### Application

A stylish solution for residential exterior spaces, great for security

### Design Specifications

- Robust adjustable black or white aluminium optical head assembly
- Durable polycarbonate mounting base
- Opal polycarbonate diffuser, beam distribution 100 degree, TC colour selectable 3000K/4000K/5700K
- High efficiency SMD LED chips, integral non-dimmable LED driver
- Integral PIR motion sensor, detection distance 12m at 2.5hm, detection angle 180 degree, manual over-ride function, time and light level adjustments see installation instructions.



- IP54
- ta40
- SENSOR
- ADJUSTABLE APPLY
- 3 YEARS COMMERCIAL WARRANTY
- 5 YEAR RESIDENTIAL WARRANTY
- WARM WHITE 3000K
- COOL WHITE 4000K
- DAYLIGHT 5700K

### Performance

In Built Sensor - **YES**  
Sensor Type - **PIR**

### Technical Specification

| Model No.      | Description                           | Input Voltage (V/AC) | Power (W) | Lumens (lm)    | CCT (K)        | CRI |
|----------------|---------------------------------------|----------------------|-----------|----------------|----------------|-----|
| SES7080/2TC/BK | LED F/LIGHT 2 x 15W IP54 TC SENSOR BK | 240                  | 30        | 2400/2600/2500 | 3000/4000/5700 | 80  |
| SES7080/2TC/WH | LED F/LIGHT 2 x 15W IP54 TC SENSOR WH | 240                  | 30        | 2400/2600/2500 | 3000/4000/5700 | 80  |

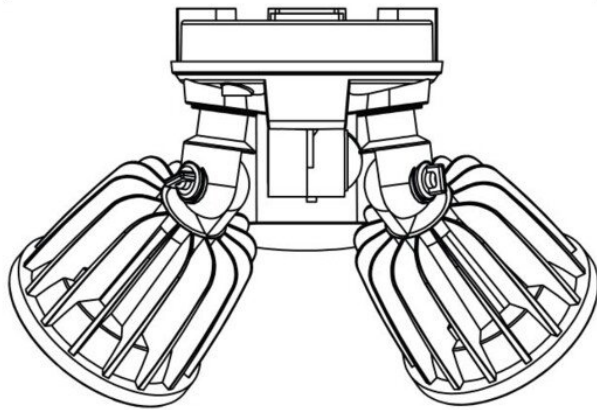
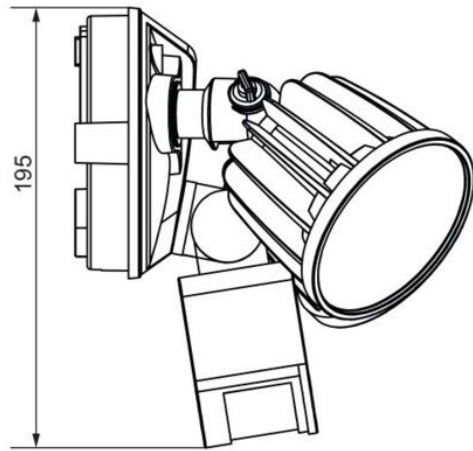
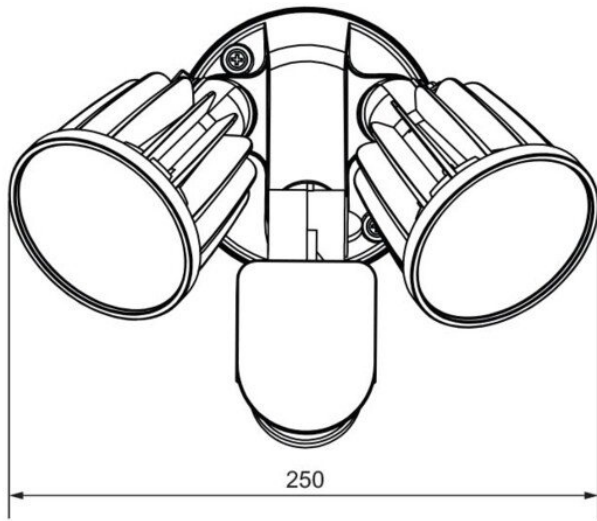
### Technical Specification

| Model No.      | Beam Angle (°) | Body Colour | Mass (kg) |
|----------------|----------------|-------------|-----------|
| SES7080/2TC/BK | 100            | BLACK       | 0.4       |
| SES7080/2TC/WH | 100            | WHITE       | 0.4       |

Due to continued product and technology enhancements, data sourced from sal.net.au shall not form part of any contract and or technical performance guarantee unless expressly confirmed in writing by SAL at the time of order. Products are sold in accordance with [SAL Terms and Conditions of sale](#) and all images shown are for illustration purposes only and may vary from the actual colour or finish. Unless specifically stated, all IP ratings nominated for Interior products are from "below the ceiling".

## Dimensions

SES7080/2TC



sal.net.au

## Product Images

