

**PTC Thermistor Protection Relay Deluxe Model, 24...240V AC/DC, Automatic/Manual/Remote Reset**

- Microprocessor technology, providing very accurate and repeated protection
- Broad supply voltage rating (24 to 240V AC/DC) ensures suitability for a wide variety of applications
- Short-circuit and open-circuit protection for sensor measuring circuit

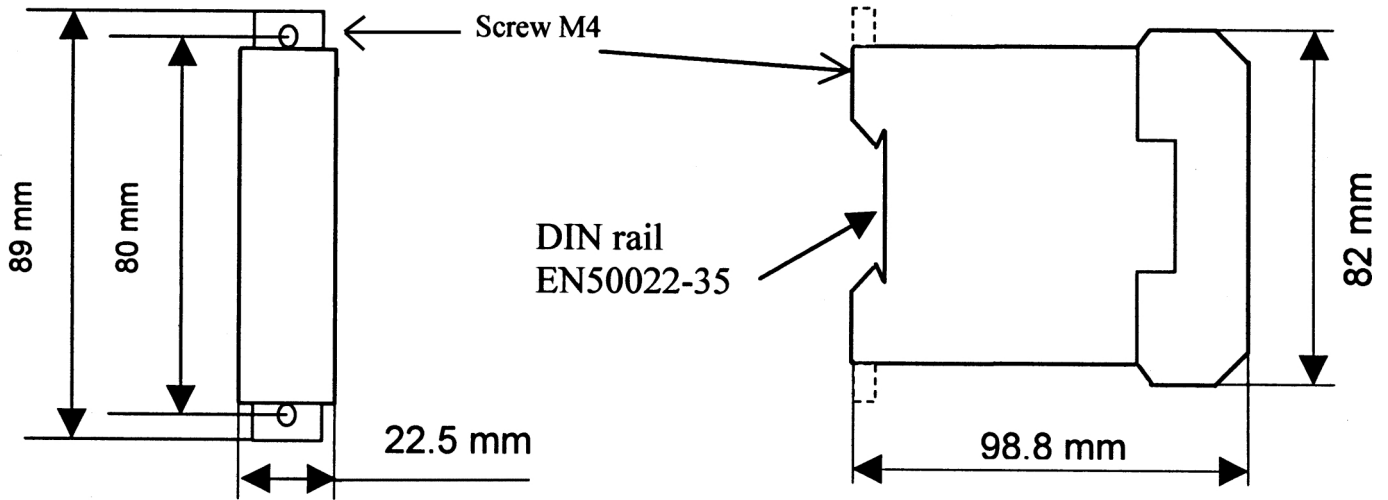
Representative Photo Only  
(actual product may vary based on configuration selections)

**SPECIFICATIONS**

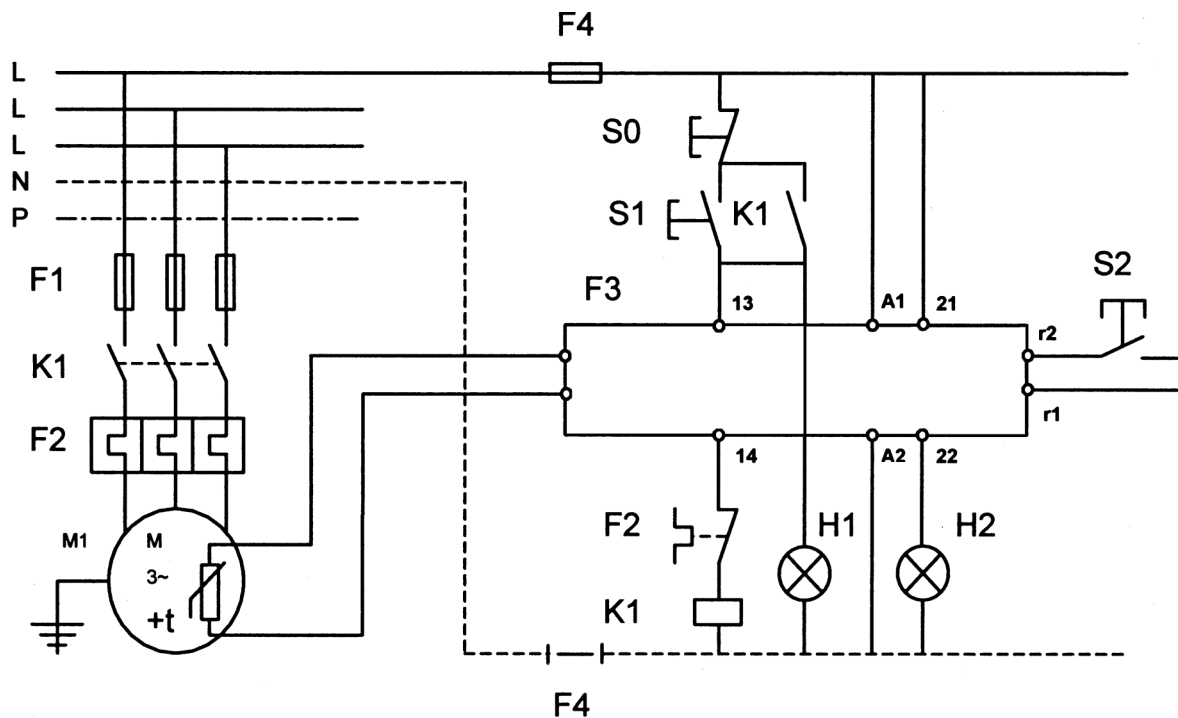
Product Series	RT7
Component Type Motor Control and Drives	Thermistor Relay
Automatic Reset	Yes Y / N
Manual Reset	Yes Y / N
Remote Reset	Yes Y / N
Test Button	Yes Y / N
IP Rating	IP20

**REFERENCES**

IECEX Certificate	-
Supplier Declaration of Conformity:	-
Installation Guide:	-
User Manual:	-
Manufacturer Datasheet:	-
Manufacturer Catalogue & Product Selection:	-



Dimension Diagram

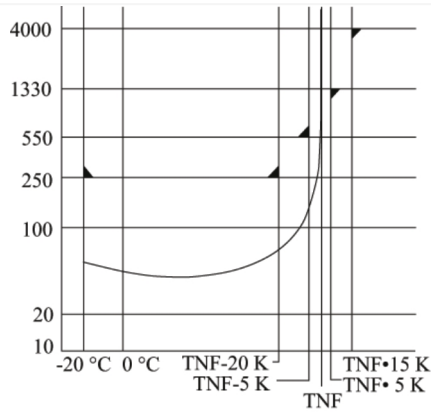


Connection / Wiring Diagram

Catalogue No: **RT7-E2**

**THERMISTOR RELAY ENHANCED 24-240V AC/DC**

Motor Control and Drives > Motor Starting and Protection > Motor Protection > Sprecher + Schuh Overloads > Thermistor Protection Relays



Technical Diagram