



Representative Photo Only
(actual product may vary based on configuration selections)

LED Beacon 10-100V DC - IP67 Clear Lens - Red LEDs

- Complete visual signalling range from high efficiency static or flashing LED's to high discharge Xenon beacons to rotating parabolic reflector beacons, we have the solution suitable for your application.
- Available in a variety of frame sizes and with accessories such as protective cages and brackets to cater to your mounting requirements.
- Multiple colour varieties available including Red, Green, Amber and Blue to convey whichever message is required.

SPECIFICATIONS

| | |
|--|---|
| Product Series | LED80 |
| Indication Mode(s) | Sight |
| Lamp Type | LED type |
| Number of LEDs | 12 |
| Colour, Lamp | Red colour |
| Illumination Mode | Steady / Flashing |
| Material, Lens | PC (Polycarbonate) - UV Stabilised |
| Ue, Rated Operational Voltage, DC, min | 10 V DC |
| Ue, Rated Operational Voltage, DC, max | 100 V DC |
| Ie, Rated Operational Current, nom | 0.09 A,nom |
| Ie, Rated Operational Current, nom | 0.09 A,nom |
| Details, Current | 200mA Static at 24V DC. |
| Material, Body / Housing | PC (Polycarbonate) - UV Stabilised material |
| Connection / Termination | Built-in cable with flying leads |
| Length, Cable | 0.5 m |
| IP Rating | IP67 |
| Mounting (Multiple) | Mounting Plate (Included) Surface Mount |
| Weight | 0.14 kg |
| Operating Temperature, Min | -20 °C min |
| Operating Temperature, Max | 55 °C max |
| Certifications | CE RoHS |

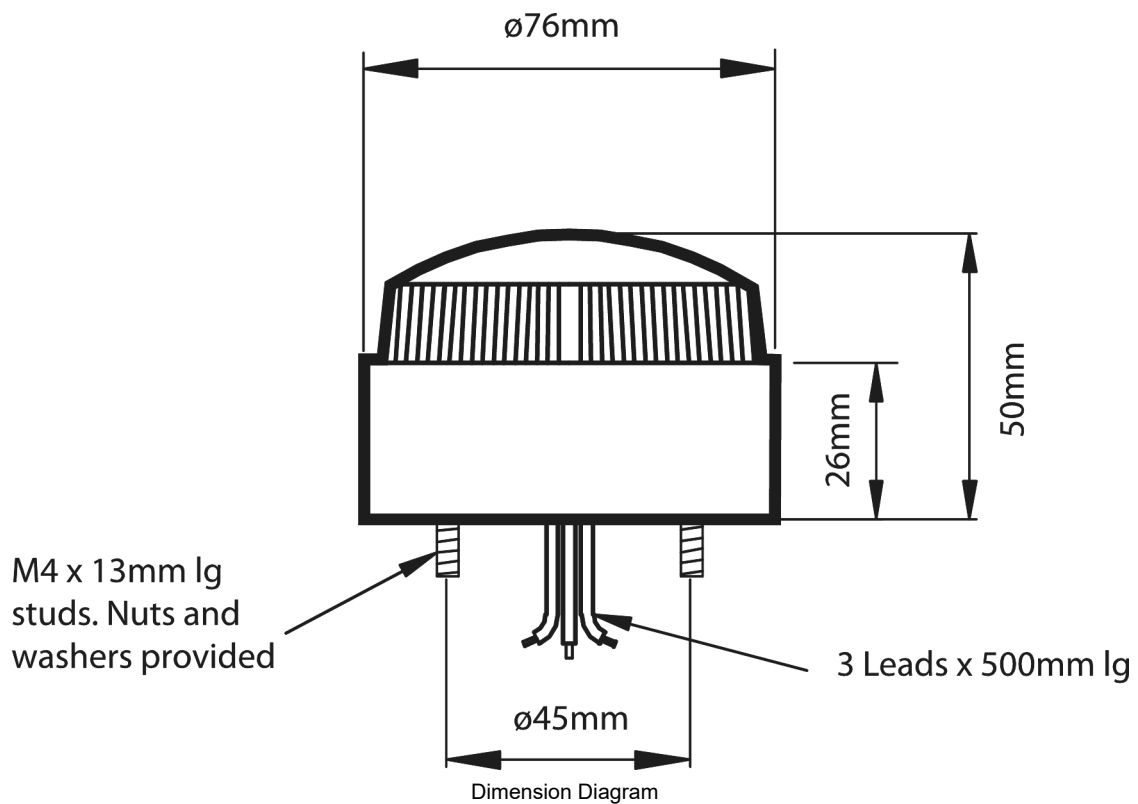
Catalogue No: **MOLED80-02R**

BEACON 12-LEDS STEADY/FLASH IP65 10-100V DC RED

Signalling Devices > Sight Indication > Beacons > Moflash Beacons > LED Beacons > MOLED80 Series - LED Beacons



| REFERENCES | |
|---|---|
| IECEX Certificate | - |
| Supplier Declaration of Conformity: | - |
| Installation Guide: | MOLED80-02R_Installation Instructions |
| User Manual: | - |
| Manufacturer Datasheet: | MOLED80-02R_ManufacturerDatasheet |
| Manufacturer Catalogue & Product Selection: | - |



Catalogue No: **MOLED80-02R**

BEACON 12-LEDS STEADY/FLASH IP65 10-100V DC RED

Signalling Devices > Sight Indication > Beacons > Moflash Beacons > LED Beacons > MOLED80 Series - LED Beacons

