

Catalogue No: CA7-37-00-240VAC

CONTACTOR 18.5kW 3P 240V AC COIL

Motor Control and Drives > Motor Starting and Protection > Contactors > Sprecher + Schuh Contactors > CA7 Contactors 4 to 55kW > 3 Pole Contactors with AC Coil



Representative Photo Only
(actual product may vary based on configuration selections)

Contactor 3 pole 37A 20kW 240V AC Coil

- Easy selection with 12 sizes, one for each standard motor kW rating (4-55kW)
- Common accessories for the range
- Side or top mount auxiliary contacts provide flexibility to suit enclosure space

SPECIFICATIONS

Product Series	CA7
Component Type Motor Control and Drives	Standard Contactor
Ie, Rated Operational Current, AC-1, 415V, 40°C	65 A@415V,40°C
kW Rating, AC-3, 415V, 60°C	20 kW @415V, 60°C
Ie, Rated Operational Current, AC-3, 415V, 60°C	37 A@415V,60°C
kW Rating, AC-3, 690V, 60°C	18.5 kW @690V, 60°C
Ie, Rated Operational Current, AC-3, 690V, 60°C	21 A@690V,60°C
Number of Poles	3
Contact Configuration, Main Poles	3 NO main poles
Coil Type	Conventional type
Coil Consumption Hold-in VA AC coiled contactors	3.1 VA 12.3
Coil Consumption Pickup VA AC coiled contactors	105 VA
Integrated Aux	No Auxiliary Contacts
Coil Voltage	240 V AC V
Un, Coil Voltage, AC @50Hz, Nom	240 V AC nom @50Hz
Un, Coil Voltage, AC @50Hz, Min	204 V AC min @50Hz
Un, Coil Voltage, AC @50Hz, Max	264 V AC max @50Hz
Un, Coil Voltage, AC @60Hz, Nom	277 V AC nom @60Hz
Un, Coil Voltage, AC @60Hz, Min	235 V AC min @60Hz
Un, Coil Voltage, AC @60Hz, Max	304 V AC max @60Hz
IP Rating	IP20

Catalogue No: CA7-37-00-240VAC

CONTACTOR 18.5kW 3P 240V AC COIL

Motor Control and Drives > Motor Starting and Protection > Contactors > Sprecher + Schuh Contactors > CA7
Contactors 4 to 55kW > 3 Pole Contactors with AC Coil



REFERENCES

IECEX Certificate -

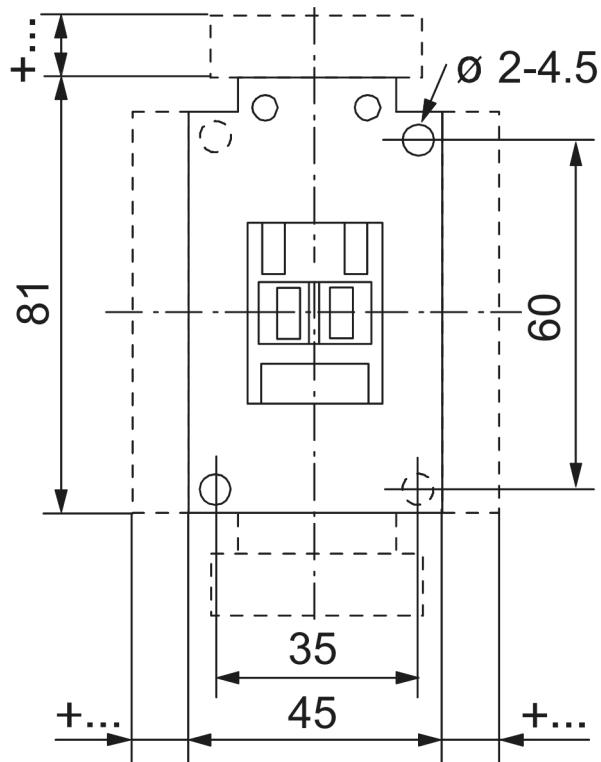
Supplier Declaration of
Conformity: -

Installation Guide: -

User Manual: -

Manufacturer Datasheet: -

Manufacturer Catalogue
& Product Selection: -



Dimension Diagram

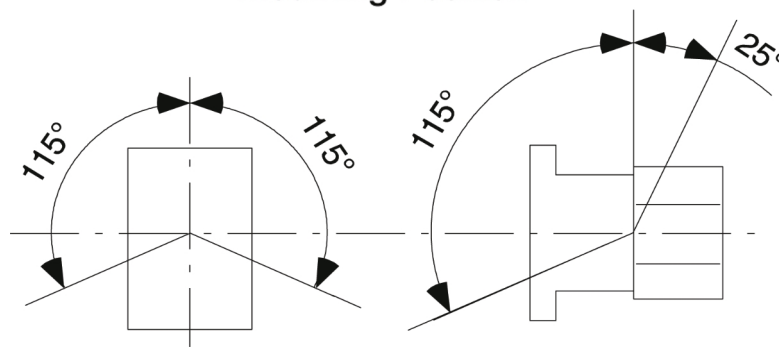
Catalogue No: **CA7-37-00-240VAC**

CONTACTOR 18.5kW 3P 240V AC COIL

Motor Control and Drives > Motor Starting and Protection > Contactors > Sprecher + Schuh Contactors > CA7
Contactors 4 to 55kW > 3 Pole Contactors with AC Coil



Mounting Position



Technical Diagram