

Catalogue No: **CPT-PSM4-40-400IR**

SPD PSM TYPE 2 3PH L-L-L-N-PE I_{max} 40kA 400V AC

Power Distribution and Protection > Switchboard Monitoring > Surge Protection > Cirprotec Electrical Network Surge Diverters > IEC Type 2 > PSM Surge Diverters

Surge Protection Device L+L+L+N-PE Type 2 40kA

PSM is the range of devices for discharging induced transient overvoltages (Type 2 / Class II), in accordance with IEC 61643-11

- DIN rail plug-in format
- Suitable for the second stage of protection in supply distribution panels in which Type 1 protection devices are installed, or for the first stage of protection in residential, commercial or other applications not exposed to direct strikes and with no external lightning protection system
- High discharge capacity with an 8/20 μ s waveform. I_{max}: 40 kA or 30 kA
- Remote and visual indication of life status of the protection device
- Reversible chassis to allow cable entry from above or below. Mechanically polarised cartridges depending on the network voltage, to avoid possible cartridge replacement errors
- Biconnect - two types of terminal: for rigid or flexible cable and for fork type comb busbar



Representative Photo Only
(actual product may vary based on configuration selections)

SPECIFICATIONS

| | |
|---|-----------------------------|
| Product Series | PSM |
| Component Type Surge Protection | Electrical Network Diverter |
| Number of Poles | 4 |
| Poles | 3P + N |
| Number of DIN Modules | 4 |
| Un, Nominal Voltage, AC, L-L | 400 V AC |
| Un, Nominal Voltage, AC, L-N/PE | 230 V AC |
| Uc, Continuous Operating Voltage, AC, Max | 275 V AC |
| In, Discharge Current, (8/20) L-N, Nom | 20 kA |
| I _{max} , Discharge Current, (8/20) L-N, Max | 40 kA |
| I _{cc} , Current, Short Circuit Withstand | 5 kA |
| Recommended Fuse Current Rating | 125 A |
| Fuse Characteristic Type(s) | gL/gG |
| Protection Classification Standard | IEC 61643-1 EN 61643-11 |
| Up, Voltage Protection Level | 1.4 kV @In |
| Rated Frequency | 50 / 60 Hz |
| Connection Mode | Parallel |
| Protection Modes | L+L+L+N-PE modes |
| Protection class | 2 |
| Replaceable Modules | Yes Y/N |
| Visual Indication | Yes Y/N |
| Indicator Type | Red / Green Flag |
| Remote Monitoring | Yes Y/N |
| Monitoring Contact Configuration | 1 CO Contact |
| Mounting | DIN-35 Rail Mount |

Catalogue No: **CPT-PSM4-40-400IR**

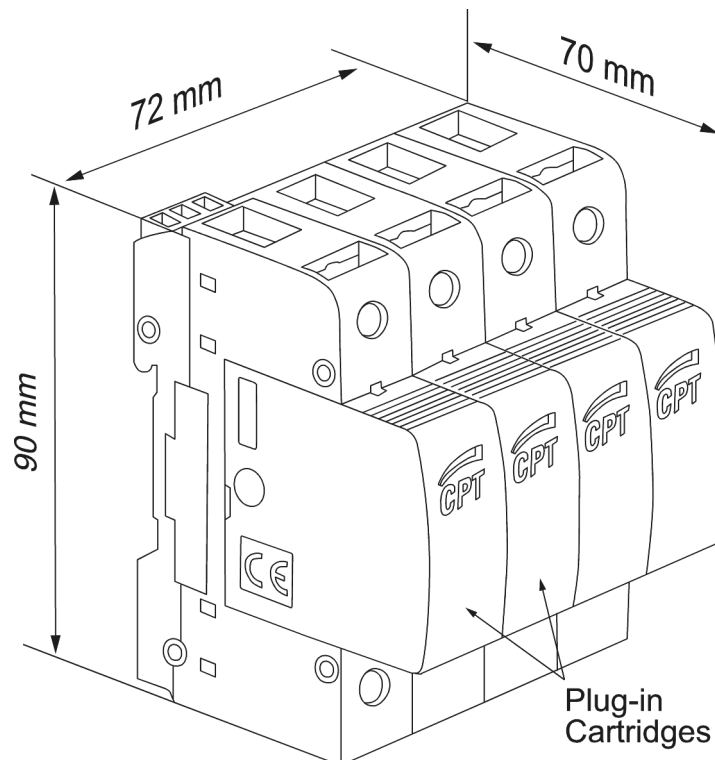
SPD PSM TYPE 2 3PH L-L-L-N-PE I_{max} 40kA 400V AC

Power Distribution and Protection > Switchboard Monitoring > Surge Protection > Cirprotec Electrical Network Surge Diverters > IEC Type 2 > PSM Surge Diverters

| | |
|---|------------------------------|
| Wire / Conductor Size, Flex Cable, Min | 6 mm ² min |
| Wire / Conductor Size, Flex Cable, Max | 25 mm ² max |
| Wire / Conductor Size, Rigid Cable, Min | 6 mm ² min |
| Wire / Conductor Size, Rigid Cable, Max | 35 mm ² max |
| Colour, Body / Housing | Light Grey (RAL 7035) colour |
| IP Rating | IP20 |
| t _A , Response time (L-N) | 25 ns |
| Tightening Torque, Nominal | 4 Nm |
| Height | 90 mm |
| Width | 72 mm |
| Depth | 70 mm |
| Weight | 0.42 kg |
| Operating Temperature, Min | -40 °C min |
| Operating Temperature, Max | 80 °C max |
| Certifications | CE RCM |

REFERENCES

| | |
|---|---|
| IECEX Certificate | - |
| Supplier Declaration of Conformity: | - |
| Installation Guide: | CPTPSM440400IR_Installation Instructions |
| User Manual: | - |
| Manufacturer Datasheet: | CPTPSM440400IR_Manufacturer Datasheet |
| Manufacturer Catalogue & Product Selection: | CPTPSM440400IR_Manufacturer Product Selection Guide |



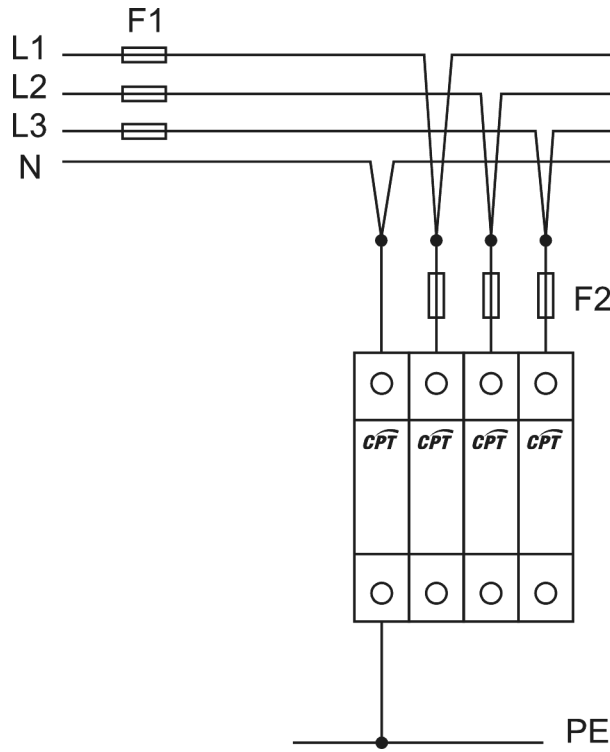
Catalogue No: **CPT-PSM4-40-400IR**

SPD PSM TYPE 2 3PH L-L-L-N-PE I_{max} 40kA 400V AC

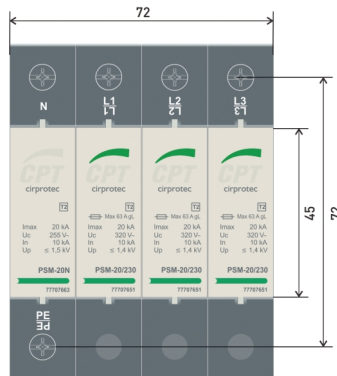
Power Distribution and Protection > Switchboard Monitoring > Surge Protection > Cirprotec Electrical Network Surge Diverters > IEC Type 2 > PSM Surge Diverters



Dimension Diagram



Connection / Wiring Diagram



Technical Diagram