

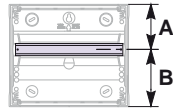
IP40



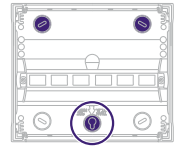
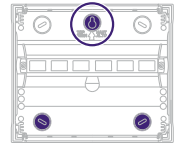
IEC 61439-1/  
IEC 61439-3  
EN 61439-1/  
EN 61439-3  
§ 8.4.4

**CLIPSAL**

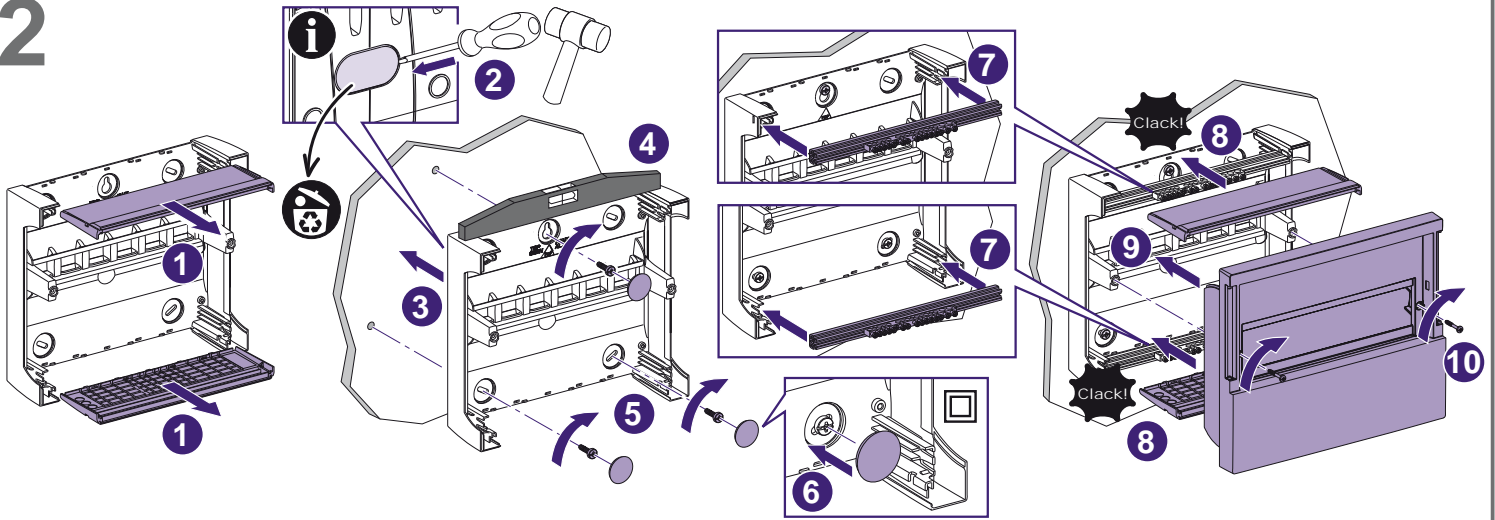
1



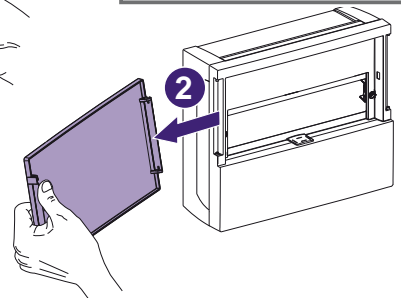
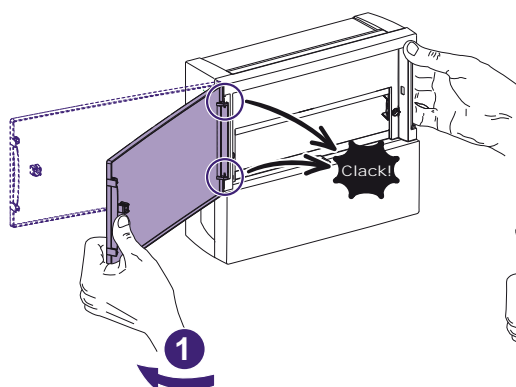
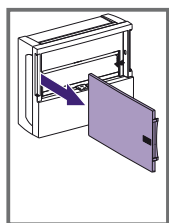
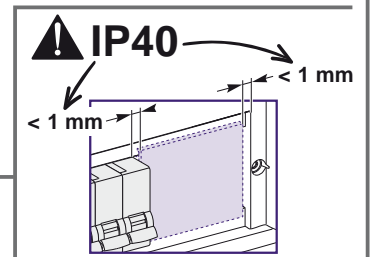
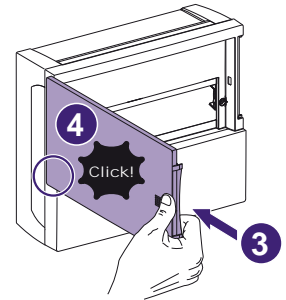
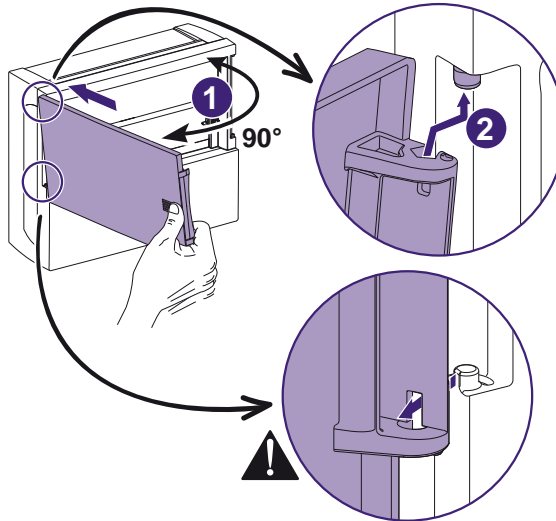
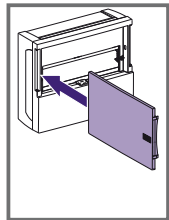
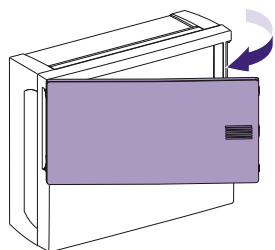
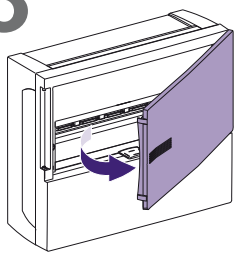
	A	B
1R	8-12-18 mod.	101 126



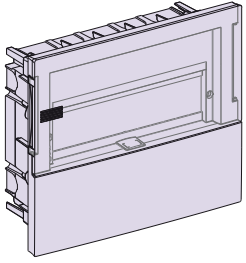
2



3



# ResiMax

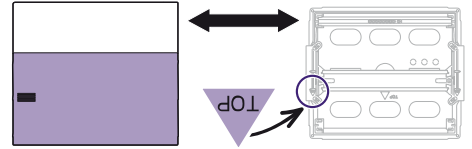
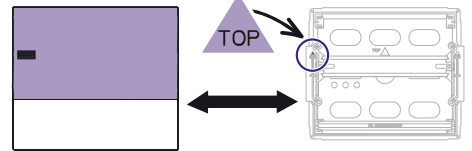
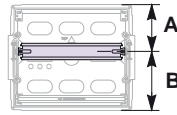


IP40



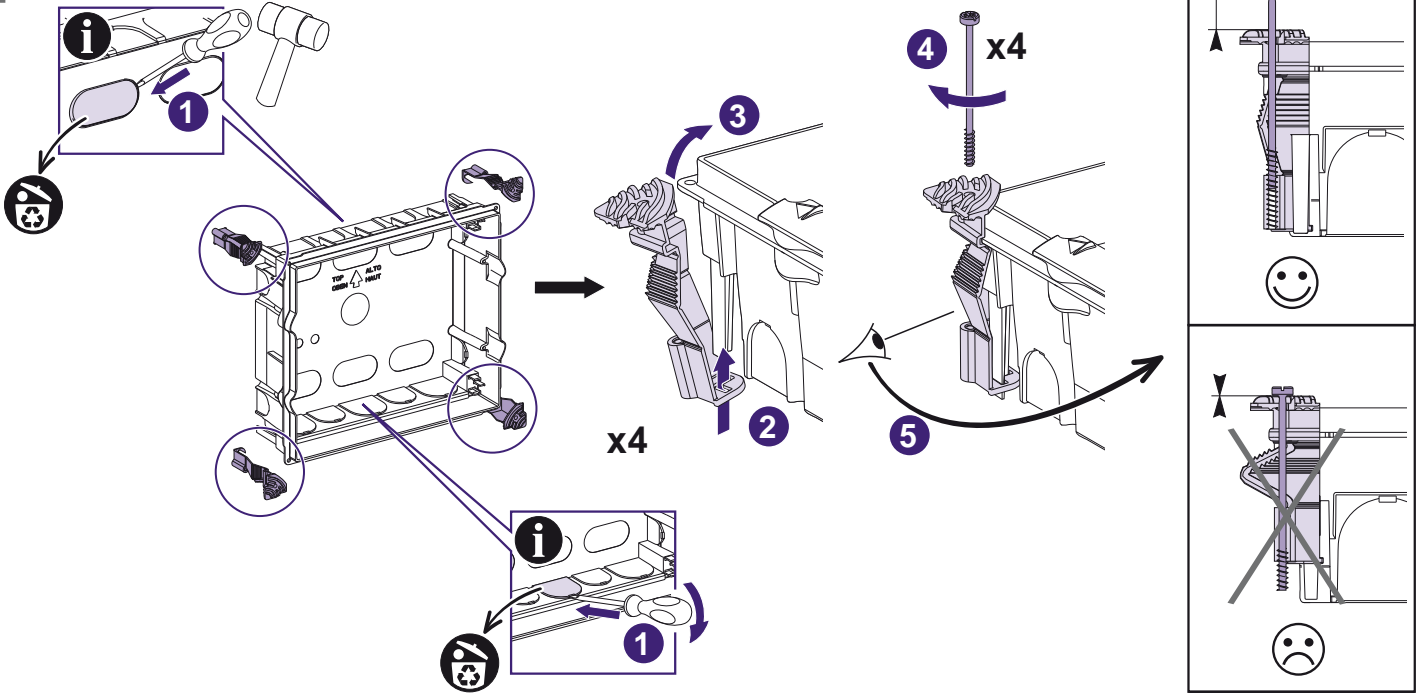
IEC 61439-1/  
IEC 61439-3  
EN 61439-1/  
EN 61439-3  
§ 8.4.4

**CLIPSAL**

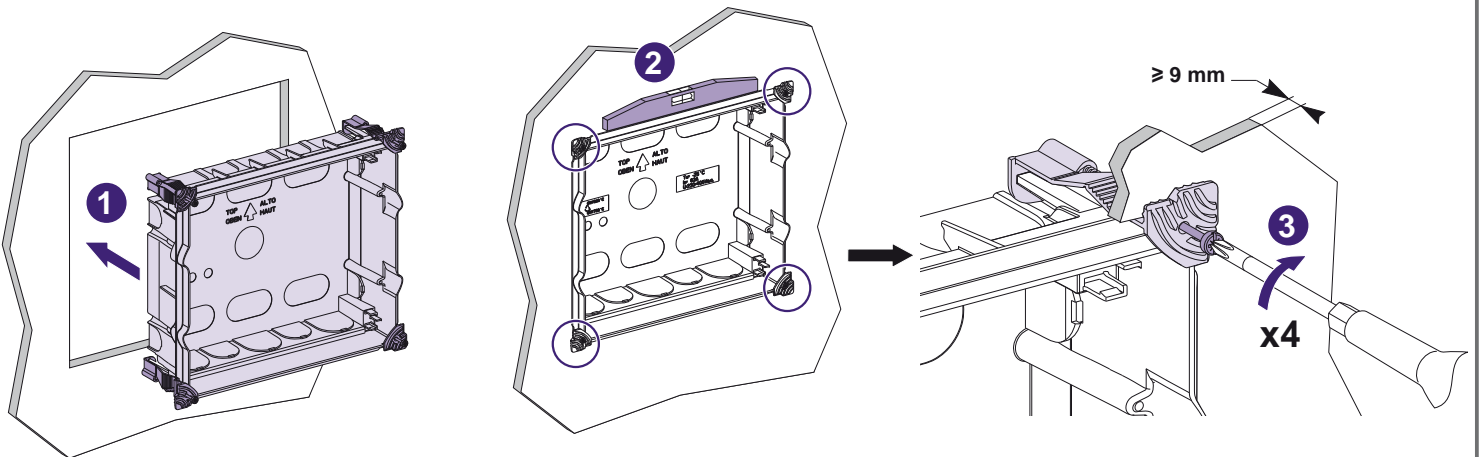


		A	B
1R	8-12-18 mod.	101	126

## 2



## 3





**Clipsal Australia Pty Ltd**  
A member of Schneider Electric

Contact us: [clipsal.com/feedback](http://clipsal.com/feedback)  
National Customer Care Enquiries  
Tel: 1300 2025 25  
Fax: 1300 2025 56

Clipsal Australia Pty Ltd reserves the right to change specifications, modify designs and discontinue items without incurring obligation and whilst every effort is made to ensure that descriptions, specifications and other information in this catalogue are correct, no warranty is given in respect thereof and the company shall not be liable for any error therein.