

# APEX

## SPOTLIGHTS



**Fast & Easy  
Wiring**



**Reinforced  
Base**



**Sensor Out  
Terminal (S)**



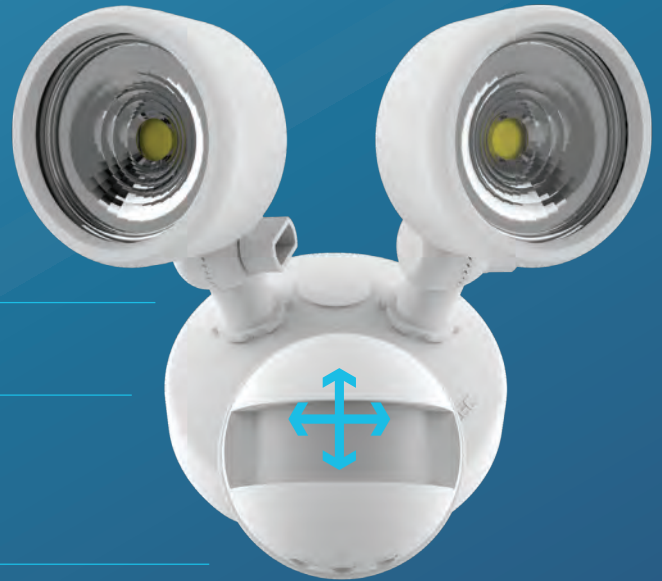
**Dual Axis  
Sensor (S)**

**SPOTS WITH A DIFFERENCE,  
DESIGNED FOR ELECTRICIANS**

# Why Choose The APEX

**Screw Driver Free  
Lamp Adjustment**

**Dual Axis Sensor (S)**



**2 Part Reinforced Base  
With Easy Align Guides**



**Single Screw Assembly**

AVAILABLE  
**BLACK  
OR WHITE**



**Manual Over-ride (S)**

**Double Insulated**

**3 CCT Output**

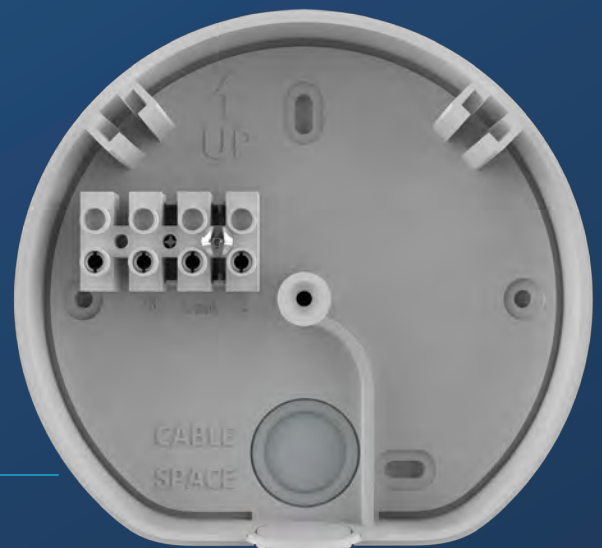


**Sensor Out Terminal (S)**

**Fast And Easy Wiring**

- Cable Free Connections
- Large Terminal Block
- Large Cable Space

**Entry From Back Or Base**  
(20mm conduit)





**4th Terminal Block**



# The Range



## Single-Head Spotlight

ML-APEXS-M-BL, Black 12W  
ML-APEXS-M-WH, White 12W



## Single-Head Spotlight With Sensor

ML-APEXSSN-M-BL, Black 12W  
ML-APEXSSN-M-WH, White 12W



## Double-Head Spotlight

ML-APEXD-M-BL, Black 24W  
ML-APEXD-M-WH, White 24W



## Double-Head Spotlight With Sensor

ML-APEXDSN-M-BL, Black 24W  
ML-APEXDSN-M-WH, White 24W

M

Up to  
**90lm/W**  
EFFICACY

**54**  
IP RATING

**3CCT**  
COLOUR

**40K**  
HRS LIFE



**M-WORLD**  
FREE 3YR ONSITE WARRANTY  
EXCLUSIVE TO MEMBERS ONLY\*

T&CS APPLY

**5** year warranty

## Spotlights

### Product information

The new spot range has been designed to fix all the frustrations that electricians face with current spot lights. The 2 part easy-connect base installs onto the wall or ceiling with plenty of space for cable termination with entry from back or base (20mm conduit) and the body of the light uses custom guides to slide onto the base perfectly making solid cable-free connections with the pin terminals. The sensor has been created to feature a double gimbal action allowing for both horizontal and vertical adjustments. This is a perfect example of another product designed by electricians for electricians.



### OUR FULL RANGE Available in black or white with or without sensor



#### Single - No Sensor

ML-APEXS-M-BL, Black 12W  
ML-APEXS-M-WH, White 12W

#### Single - With Sensor

ML-APEXSSN-M-BL, Black 12W  
ML-APEXSSN-M-WH, White 12W

#### Double - No Sensor

ML-APEXD-M-BL, Black 24W  
ML-APEXD-M-WH, White 24W

#### Double - With Sensor

ML-APEXDSN-M-BL, Black 24W  
ML-APEXDSN-M-WH, White 24W

### TECHNICAL INFORMATION

	SINGLE - NO SENSOR	SINGLE - WITH SENSOR	DOUBLE - NO SENSOR	DOUBLE - WITH SENSOR
	ML-APEXS-M-BL ML-APEXS-M-WH	ML-APEXSSN-M-BL ML-APEXSSN-M-WH	ML-APEXD-M-BL ML-APEXD-M-WH	ML-APEXDSN-M-BL ML-APEXDSN-M-WH
<b>Total Power:</b>	12W*	12W*	24W*	24W*
<b>Lumen Output:</b>	WW 850lm NW 1000lm W 950lm	WW 850lm NW 1000lm W 950lm	WW 1700lm NW 2200lm W 1900lm	WW 1700lm NW 2200lm W 1900lm
<b>Colour Temp:</b>	WW 3000K NW 4000K W 6000K	WW 3000K NW 4000K W 6000K	WW 3000K NW 4000K W 6000K	WW 3000K NW 4000K W 6000K
<b>IP Rating:</b>	IP54	IP54	IP54	IP54
<b>Efficacy:</b>	Up to 85lm/W	Up to 85lm/W	Up to 90lm/W	Up to 90lm/W
<b>CRI:</b>	80+	80+	80+	80+
<b>Beam Angle:</b>	90°	90°	90°	90°
<b>Temp Range:</b>	-20° to +45°	-20° to +45°	-20° to +45°	-20° to +45°
<b>Dimmable:</b>	No	No	No	No
<b>Power Supply:</b>	Built in Driver 220 - 240V~ 50/60Hz	Built in Driver 220 - 240V~ 50/60Hz	Built in Driver 220 - 240V~ 50/60Hz	Built in Driver 220 - 240V~ 50/60Hz
<b>Average Life:</b>	40,000 hrs**	40,000 hrs**	40,000 hrs**	40,000 hrs**
<b>Standby Current Draw :</b>	N/A	<30mA	N/A	<30mA
<b>Double Insulated :</b>	Yes	Yes	Yes	Yes
<b>Power Factor :</b>	>0 . 85	>0 . 85	>0 . 85	>0 . 85
<b>Gimbal Angle :</b>	N/A	Horizontal 360° Vertically 145°	N/A	Horizontal 360° Vertically 145°
<b>Sensor Detection range :</b>	N/A	120° Up to 7m	N/A	120° Up to 7m
<b>Time Setting :</b>	N/A	10s ~ 7mins	N/A	10s ~ 7mins
<b>Max Sensor Capacity :</b>	N/A	70W inc Fitting	N/A	70W inc Fitting
<b>Dimensions:</b>	Base: Ø 120mm Height: 165mm	Base: Ø 120mm Height: 165mm	Base: Ø 120mm Height: 165mm	Base: Ø 120mm Height: 165mm
<b>Weight:</b>	0.4kg	0.5kg	0.6kg	0.7kg
<b>Warranty:</b>	5 Years	5 Years	5 Years	5 Years
<b>Kit Includes:</b>	1 × Single - head spotlight 1 × User Manual	1 × Single - head spotlight with sensor 1 × User Manual	1 × Double - head spotlight 1 × User Manual	1 × Double - head spotlight with sensor 1 × User Manual

\*Total power consumed including driver

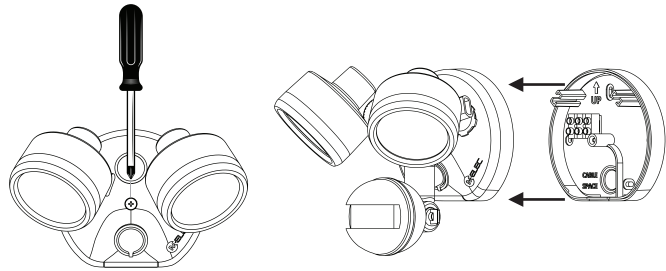
\*\* Average life is calculated on expected average lifespan

Data subject to change visit our website for upto date information

## INSTALLATION GUIDE

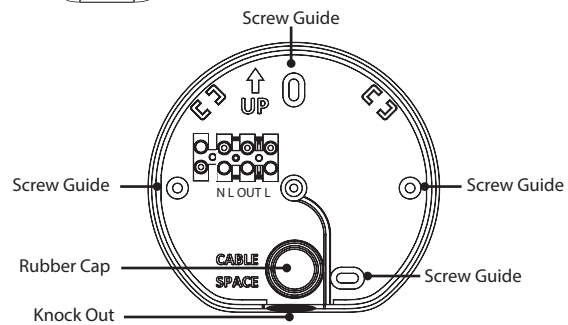
**Disconnect mains before proceeding!**

1. Remove lamp from the box, unscrew and remove the base cover in the centre of the fitting.



2. Pull the cable through the cable hole (either penetrate the rubber cap or break away the bottom knock out and use appropriate sealant to retain IP protection).

Mount the base using the required screw guides.



3. Wire up the light in accordance with the marked terminals:

**N - Neutral**

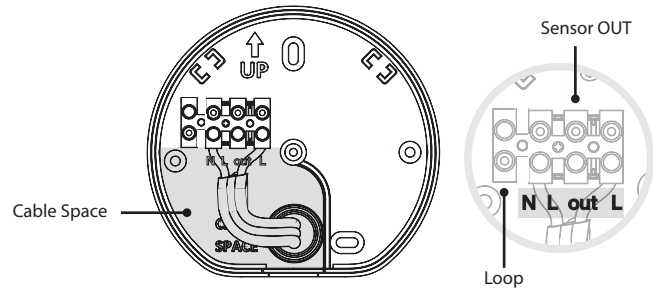
**L Out - Load out from sensor\***

**L - Line In**

\*L - Out is used to connect other lights to the sensor (optional, max load 70W inc fitting draw)

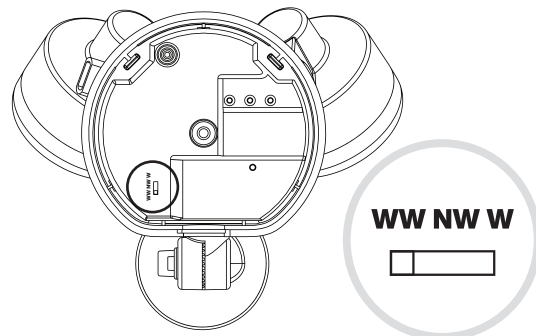
Unscrew Sensor out tab if required.

Ensure cables are tidied in the cable space area on the left (**not on the right**).

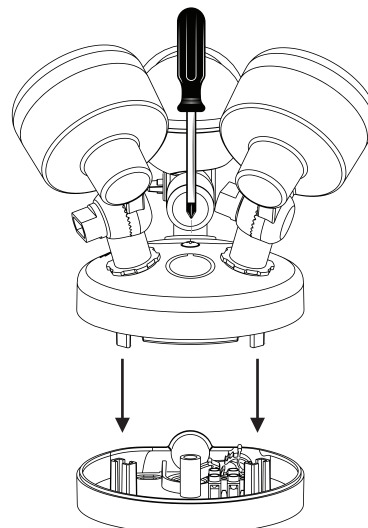


Additional loop terminal can be used to tidy any extra cables (eg. earth), but can be left unused.

4. Set the desired colour temperature (WW / NW / W) on the switch inside main body.

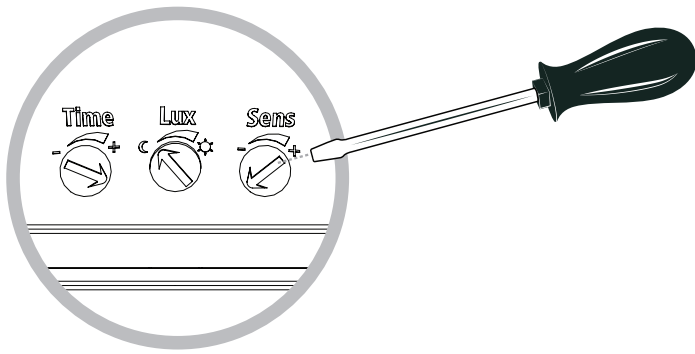


5. When installing the main body back to the base make sure, the locating pins on main body go into the slots on the base. Once installed, secure the main body onto the base with the screw that you removed in step 1.



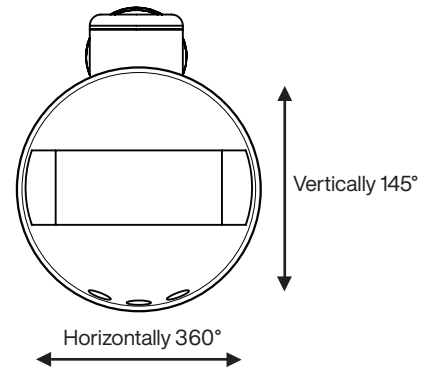
6. Do not rotate sensor or lamp more than 360° or internal wiring damage may occur.

**OPTIONAL FOR SENSOR VERSION:**



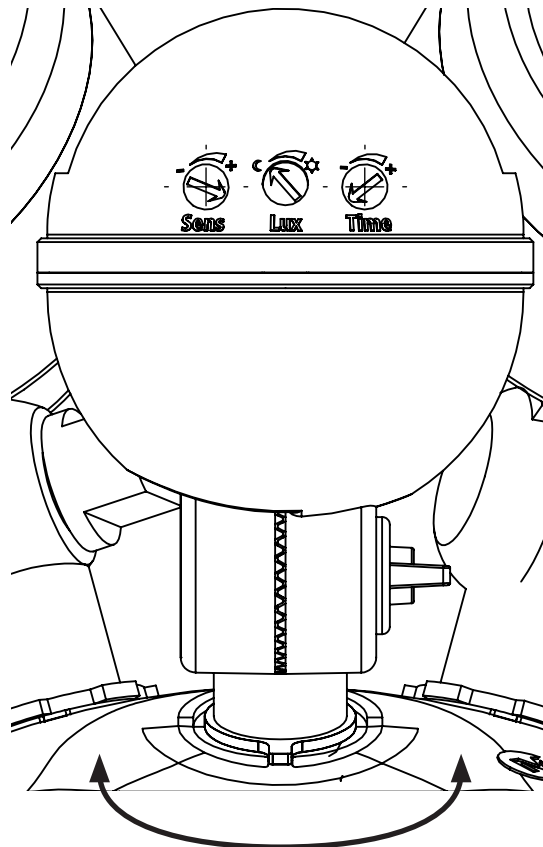
Use flathead screwdriver to adjust knobs for Time, Lux and Sensitivity.

**DUAL AXIS SENSOR:**



Adjust horizontally or vertically.

Do not rotate more than 360°!



Rotate 180° to adjust sensor arm direction

Do not rotate past the sensor arm stops

## SETTING THE CONTROLS SEQUENCE

---

1. Turn the Lux control knob to light (sun) position, turn the wall switch on and wait half a minute for the control circuit to stabilize. At this stage ensure that the TIME control knob is set at minimum. The spotlights will now switch on and will remain switched on for about 30 seconds.
2. Direct the sensor toward the desired area to be scanned by adjusting the elbow joint and the swivel joint on the sensor arm. Important: loosen all lock nuts and screws on sensor and lamp holders before making any adjustments.
3. Have another person move across the centre of the area to be scanned and slowly adjust the angle of the sensor arm until the unit senses the presence of the moving person, causing the spotlights to switch on.
4. Adjust time control to required setting.
5. To set the light level at which the spotlights will automatically switch "on" at night, turn the LUX control knob from daylight (sun) to night-time (moon). If the spotlights are required to switch on earlier, e.g. Dusk, wait for the desired light level, then slowly turn the LUX control knob towards daylight (sun) while someone walks across the centre of the area to be detected. When the spotlight switches on, correct LUX level has been established. You may need to make further adjustments to achieve your ideal light level setting.

## ADJUSTING THE LUX CONTROL LEVEL

---

The Lux control module has a built-in sensing device (photocell) that detects daylight and darkness. The (sun) position denotes that the spotlight will work at day and night, and the (moon) position will only work at night. You can set the unit to operate at the desired level by adjusting the LUX knob from light (sun) to dark (moon).

## ADJUSTING THE TIME DURATION

---

The switched-on time after activation can be adjusted from 10 seconds to 7 minutes. Rotate the TIME knob anti-clockwise to reduce the time. Note: once the light has been triggered by the PIR sensor, any subsequent detection will start the timed period from the beginning.

## MANUAL OVERRIDE

---

The light can stay ON for 8h time periods by using the manual override function.

To activate manual override function, flick the switch off/on/off/on within 3 seconds. The light will stay on for 8 hours and then return to normal sensor operation.

## PLEASE NOTE

---

MUST BE INSTALLED BY A LICENSED ELECTRICIAN

- Read instructions carefully before attempting to install the fitting. Retain this guide for future reference
- Disconnect power before installing or servicing
- This fitting is for outdoor use and should not be used in areas with limited ventilation or high ambient temperatures
- Do not extend low voltage cables from the output of power supply
- All components must not be mechanically stressed
- Be careful not to damage or destroy conductive paths on the circuit board
- Follow all relevant electrical and safety standards (including AS3000)
- Correct electrical polarity must be observed as the wrong polarity may destroy the product and is not covered under warranty
- Damage by corrosion will not be honoured as a material defect claim. It is the user's responsibility to provide suitable protection against corrosive agents such as moisture, condensation and other harmful elements



**FREE**  
**ONSITE WARRANTY**

EXCLUSIVE TO  
MEMBERS ONLY

